

Please read before assembly and installation of Feelux product

1. Before attempting to install or use fixture, read and understand the installation instructions and safety labels. If you have any questions, please contact Feelux Technical support at 678-668-7005 ext 4.
2. Feelux product must be installed by a qualified electrician in accordance with all national and local electrical and construction codes and regulations.
3. Ensure that the main power supply is off before installing or wiring a fixture.
4. Ensure that the power to the series is off before connecting or disconnecting individual fixtures.
5. Do not use a fixture if the unit, lens, housing or power cables are damaged.
6. Do not attempt to repair. Fixtures have no serviceable parts and there is risk of shock.
7. Do not use a fixture for any voltage for which it is not rated. Do not exceed the specified voltage and current input for any fixtures.
8. The screws included are for millwork. Please use the appropriate screws for the application.
9. This device complies with Part 15 of the FCC rules.
10. Class B Digital Apparatus complies with Canadian ICES-003

Max. Connection:

Dimming: 20 pcs (Dimming signal booster available for longer length)

Max. connection (Non-Dimming) : 400W (7W/57 pcs, 11W/36 pcs, 15W/26 pcs)

Step 1. Verify electrical plan.

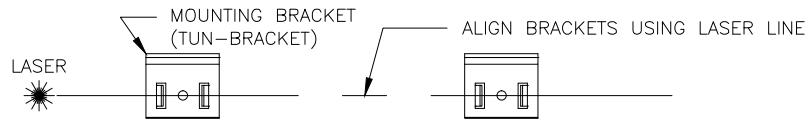
1. Calculate the number of fixtures each circuit can support based on: model of fixture, circuit load and cable length.
2. Total lamp wattage in one lighting row Maximum 400W
3. If you have questions, contact your local Feelux representative or Feelux.

Step 2. Check that all components are on site.

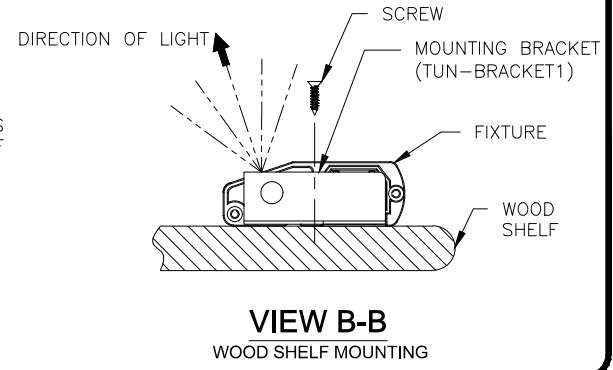
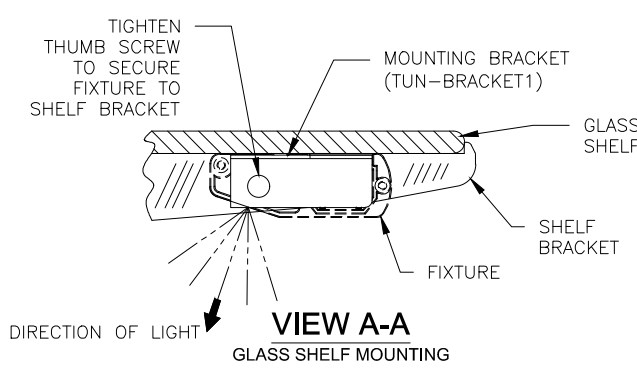
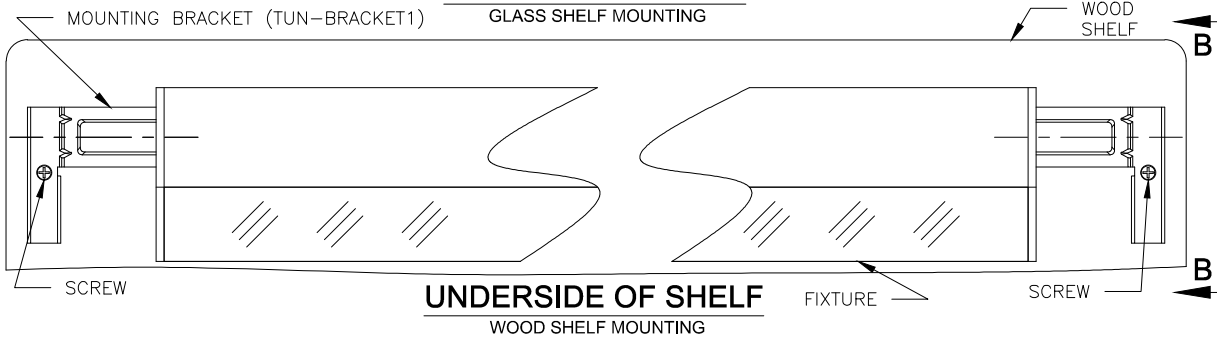
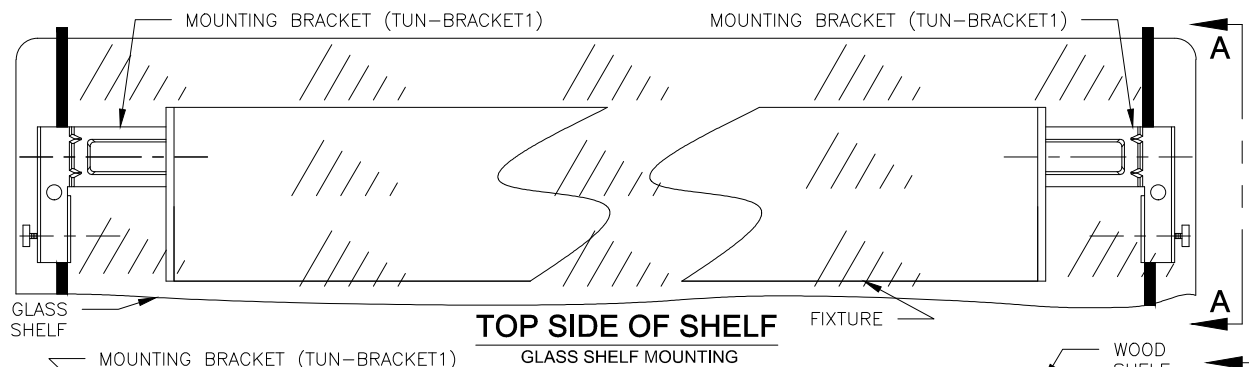
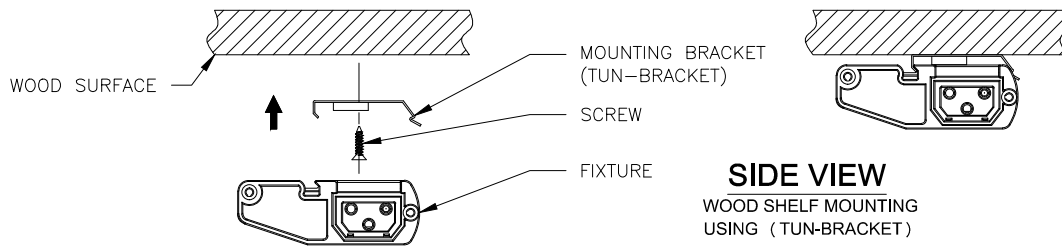
Step 3. Installation / Mounting

Always requires two person installation for fixture runs longer than 4 feet!

Align all brackets using laser line

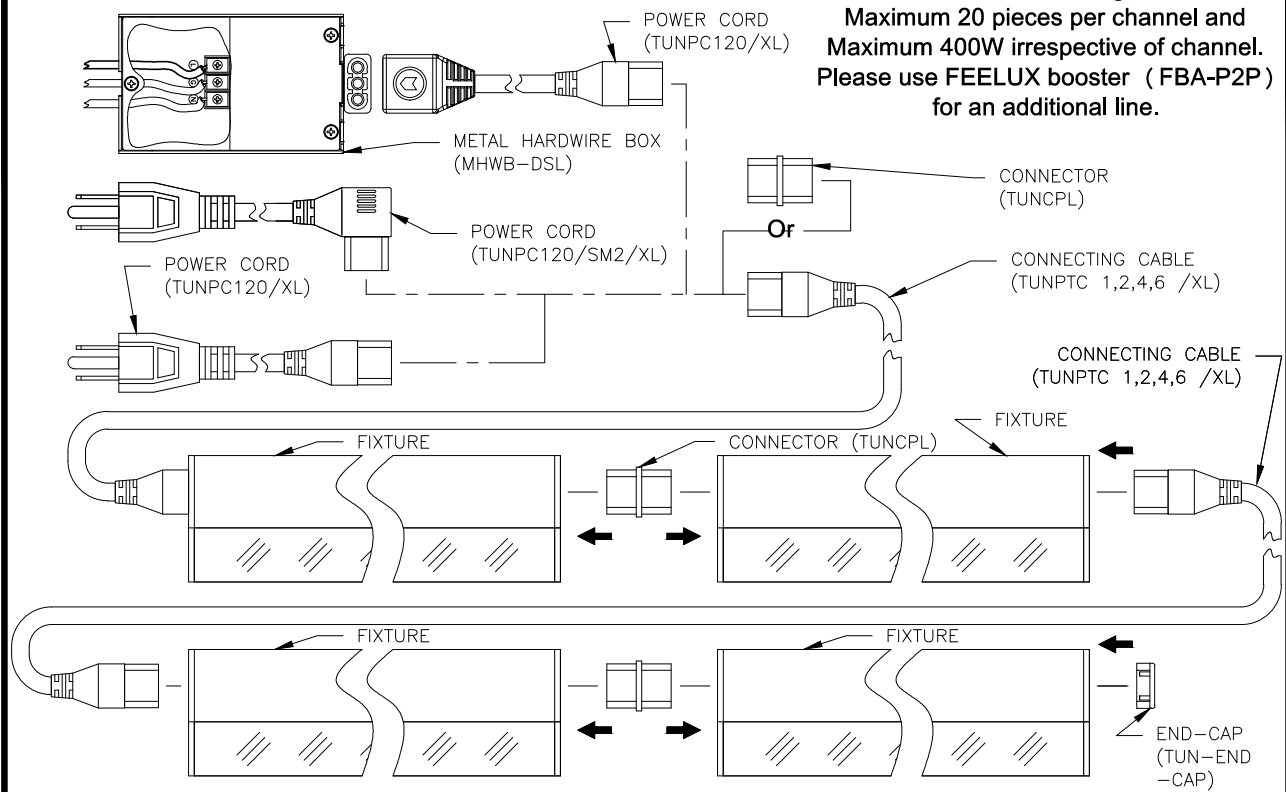


Bracket Assembly: Wood Surface Mounting

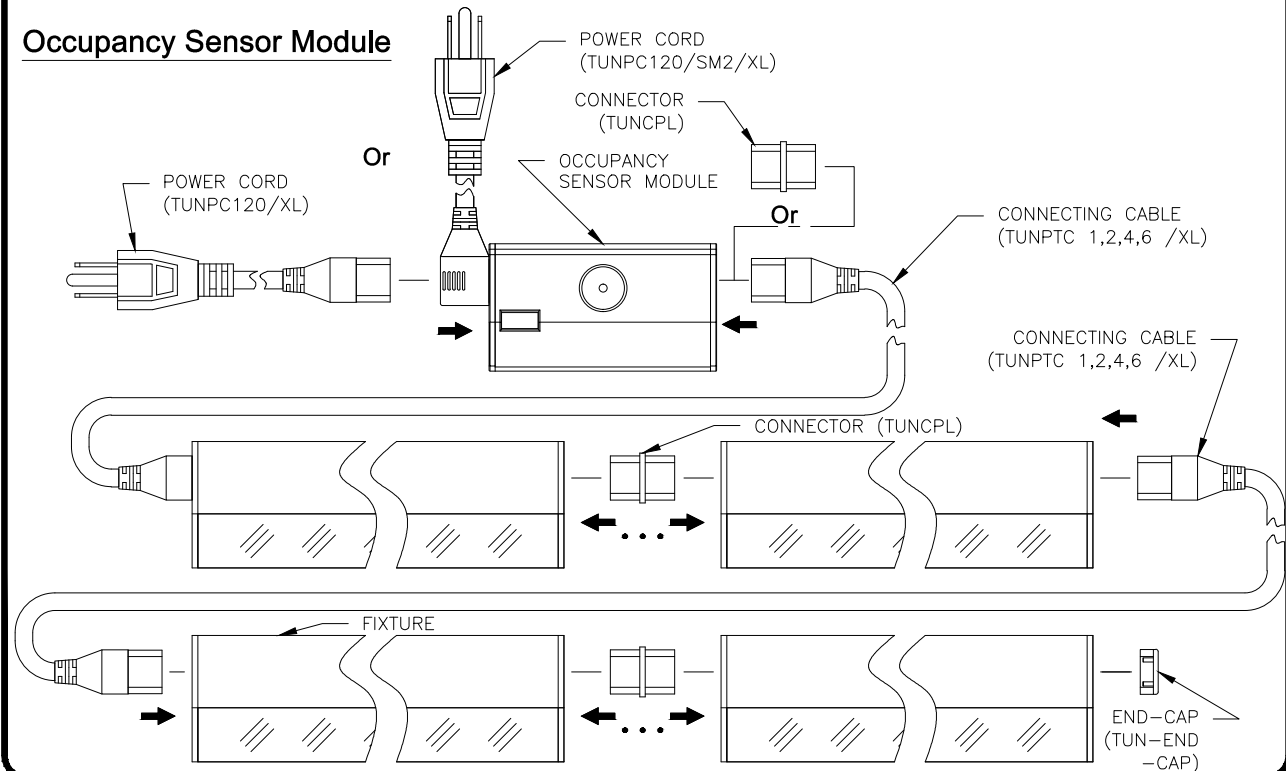


Step 4. Connecting Fixtures: Non - Dimming

AC FLX -TUNELight 2
 Maximum 20 pieces per channel and
 Maximum 400W irrespective of channel.
 Please use FEELUX booster (FBA-P2P)
 for an additional line.

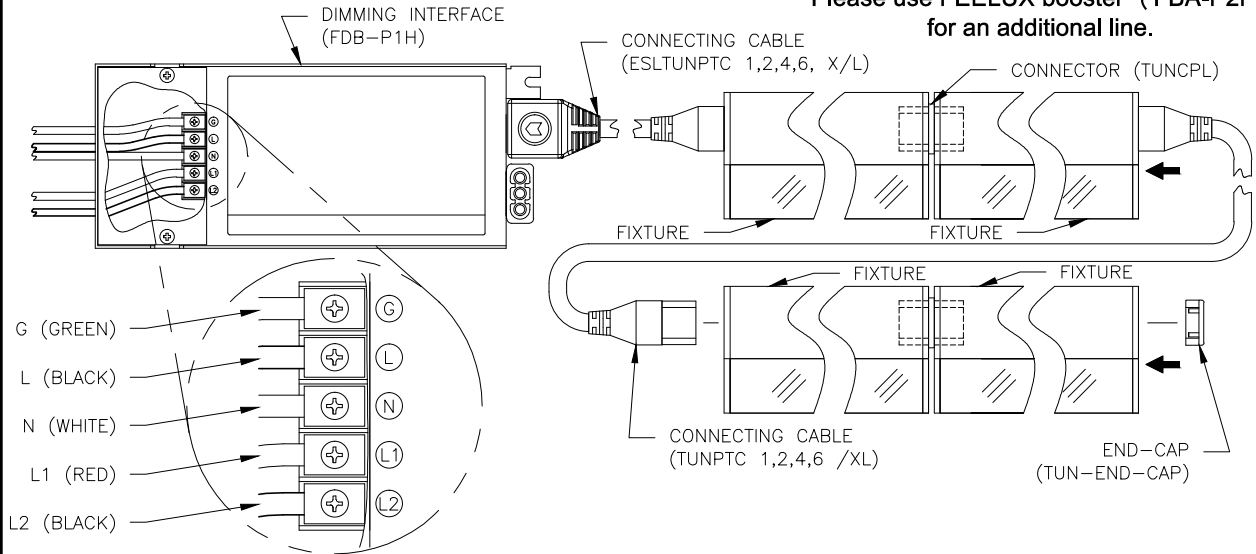


Occupancy Sensor Module

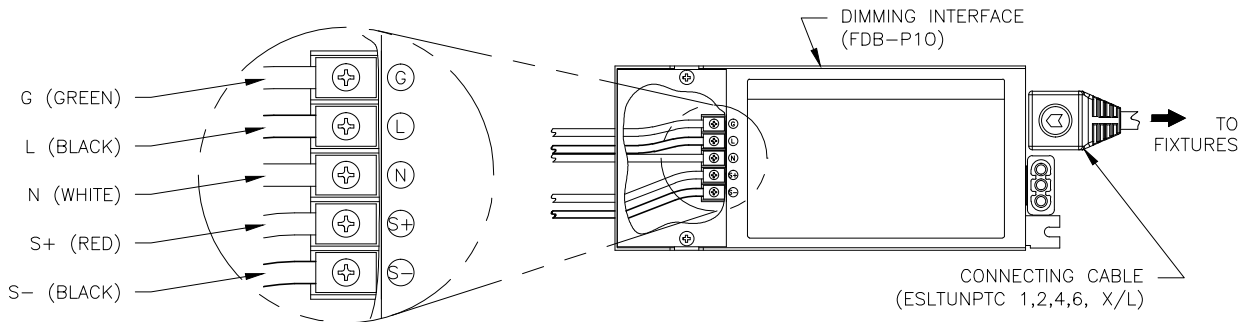


Step 4. Connecting Fixtures: Hardwire
Dimming Interface: Phase to PWM Translator

AC FLX -TUNELight 2
 Maximum 20 pieces per channel and
 Maximum 400W irrespective of channel.
 Please use FEELUX booster (FBA-P2P)
 for an additional line.



Dimming Interface: 0 - 10V to PWM Translator



BOOSTER

