

Please read before assembly and installation of Feelux product

1. Before attempting to install or use fixture, read and understand the installation instructions and safety labels. If you have any questions, please contact Feelux Technical support at 678-668-7006 ext 4.
2. Feelux product must be installed by a qualified electrician in accordance with all national and local electrical and construction codes and regulations.
3. Ensure that the main power supply is off before installing or wiring a fixture.
4. Ensure that the power to the series is off before connecting or disconnecting individual fixtures.
5. Do not use a fixture if the unit, lens, housing or power cables are damaged.
6. Do not attempt to repair. Fixtures have no serviceable parts and there is risk of shock.
7. Do not use a fixture for any voltage for which it is not rated. Do not exceed the specified voltage and current input for any fixtures.
8. To complete cable and fixture connections, press together until there is an audible click.
9. To disconnect, twist apart. Do not pull apart.
10. The screws included are for millwork. Please use the appropriate screws for the application.
11. If using magnetic mounting, ensure that magnets and plates are properly aligned.
12. This device complies with Part 15 of the FCC rules.
13. Class B Digital Apparatus complies with Canadian ICES-003
14. Feelux FLX Stix fixtures are damp rated and closet approved.

Side Feed

Side Feed units provide uninterrupted continuous lines of light.

FLX Stix NDV requires a Side Feed unit for runs that exceed 55W or ~14.5'.

FLX Stix HDV, DDV and RDV require a Side Feed unit for runs that exceed 75W and ~12'.

Side Feed units have factory installed power cable and require power.

Approved Drivers and Transformers

FLX Stix Series can be installed with the following approved drivers/transformers/power supplies:

- Feelux FDC and XLD Series Drivers
- Qtran Q6S, Q6M, QTM, QTM ELED. When dimming QTran QTM DC + CAP may be required.
- Eclipse Light Manager
- Lutron

Other drivers have not been tested and will not comply with the Feelux warranty.

Please read before assembly and Installation of Feelux Product (Continued)**Splicing**

When using Feelux XLD, QTran, or Eklipse, the driver end of the power feed cable is cut and spliced. Contractor must test for 24V DC at all splice points.

Polarity must be followed and is:

FLX Stix NDV:

Lead: Gray Stripes - Negative

Lead: Writing - Positive

FLX Stix HDV, DDV and RDV:

Lead: Gray Striped - Negative

Lead: Writing - Positive

Lead: ++++++ - Negative

Lead: xxxxxx - Positive

Jumpers

Jumpers cannot be cut or spliced at any time without written permission from Feelux.

FLX Stix Dimming:

Please insure dimming signal compatibility prior to installation.

Feelux FLC AND XLD Driver: Dimming Interface, FDC-L10, is required. Dimming is 0-10V signal.

Eklipse Light manager: Dimming interface is not required. Dimming is 0-10v or DMX signal.

QTran: Q6S, Q6M and QTM: Dimming interface is not required.

Dimming is Forward Phase Magnetic Low Voltage.

DC + Capacitor may be required. Consult Feelux for compatibility.

QTM-ELED: Dimming is 0-10V signal.

Step 1. Verify electrical plan.

1. Calculate the number of fixtures each circuit can support based on: model of fixture, circuit load and cable length.
2. NDV can be loaded to 55W before side feed unit is required.
3. HDV, DDV and RDV can be loaded to 75W before side feed unit is required.
4. If you have questions, contact your local Feelux representative or Feelux.

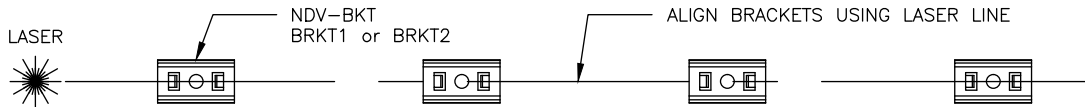
Step 2. Check that all components are on site.

Step 3. Install Mounting Brackets

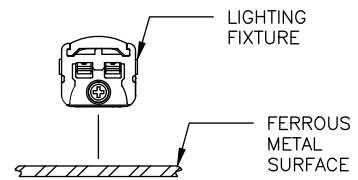
FLX Stix Series are shipped with Standard Mounting Brackets and Magnetic Plates. Angled Mounting Brackets are ordered separately.

Brackets are to be installed within 2" from ends of the unit to support the junction point. Bracket 3 is included and must be installed at all connection points.

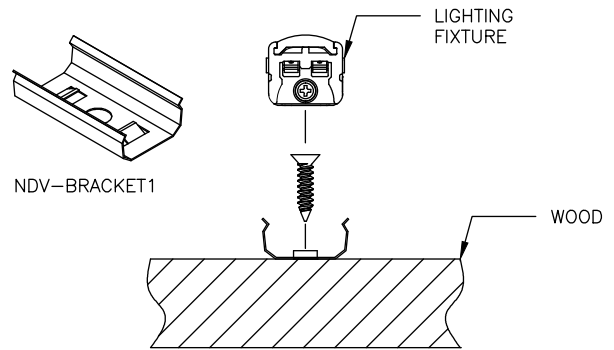
Align brackets using laser line



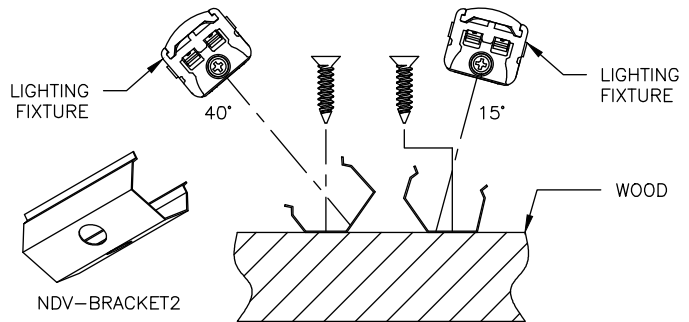
**Mounting Option: Magnetic Mounting
On Ferrous Metal Surfaces**



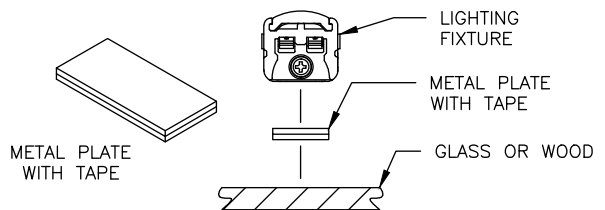
**Mounting Option: Standard Brackets
Align brackets using laser line.**



**Mounting Option: Angled Brackets
Align brackets using laser line.**



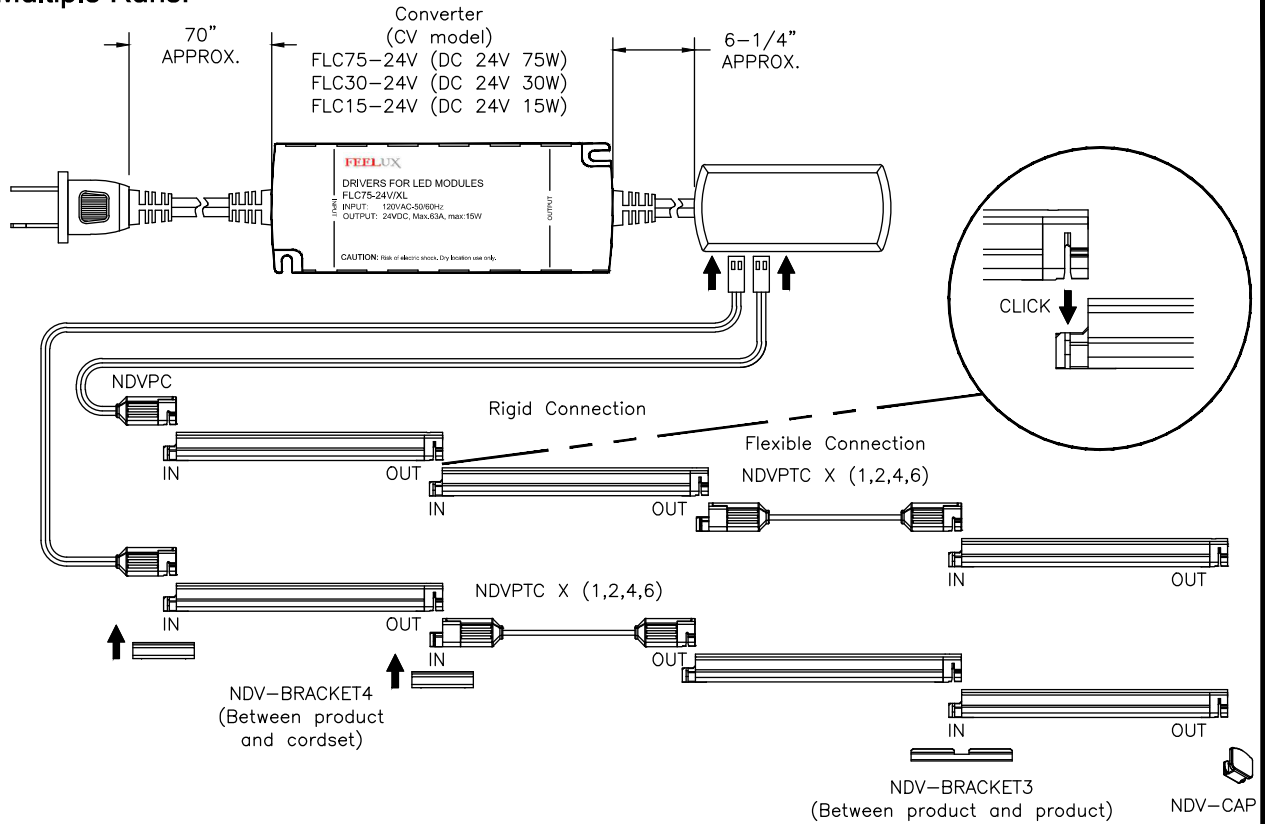
**Mounting Option: Magnetic Mounting
On Glass or Wood Surfaces
Align plates using laser line.**



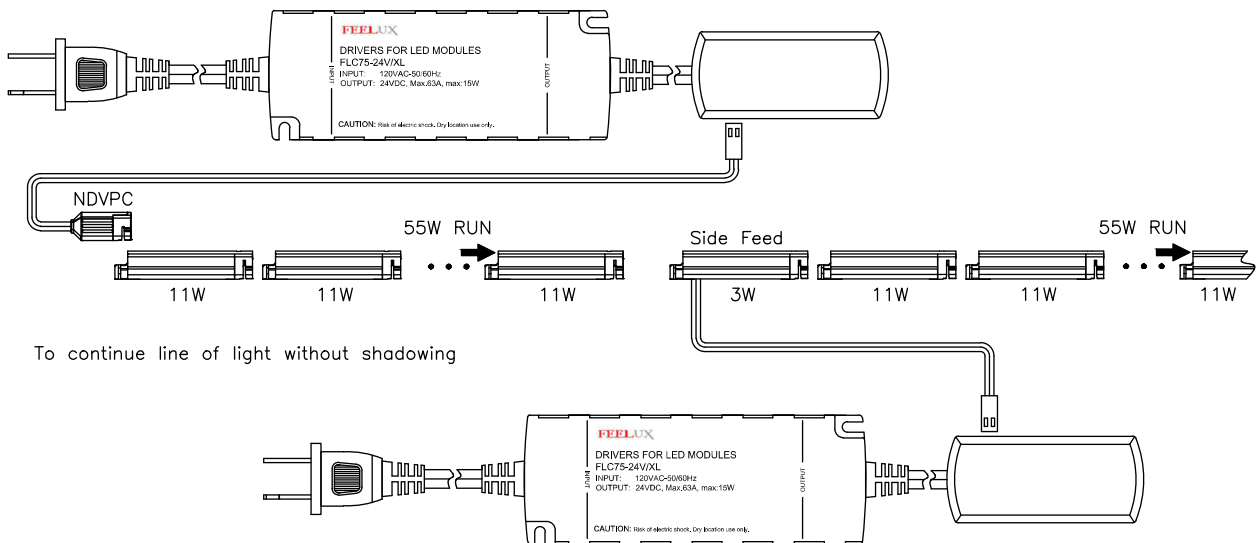
Step 4. Driver and Fixture Installation
Cord and Plug Drivers:

FLX Stix - NDV Series can run up to 55 Watts in one run. The Side Feed Connector enables run to be established without shadowing.

Multiple Runs:

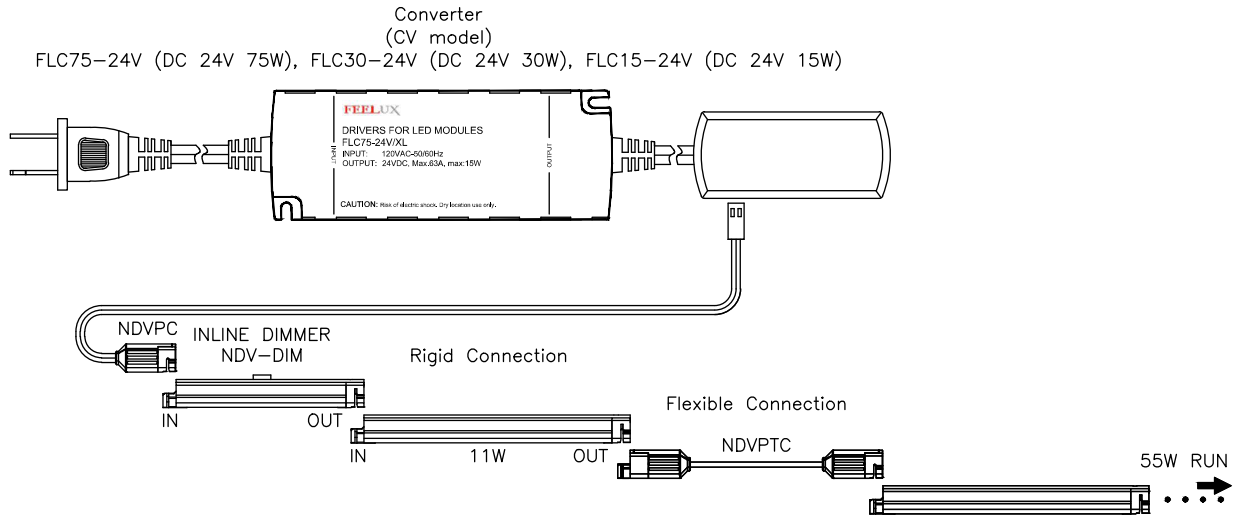


Continuous Runs:



CAUTION: TOTAL CONNECTED FIXTURES WATTAGE NOT TO EXCEED DRIVER WATTAGE!

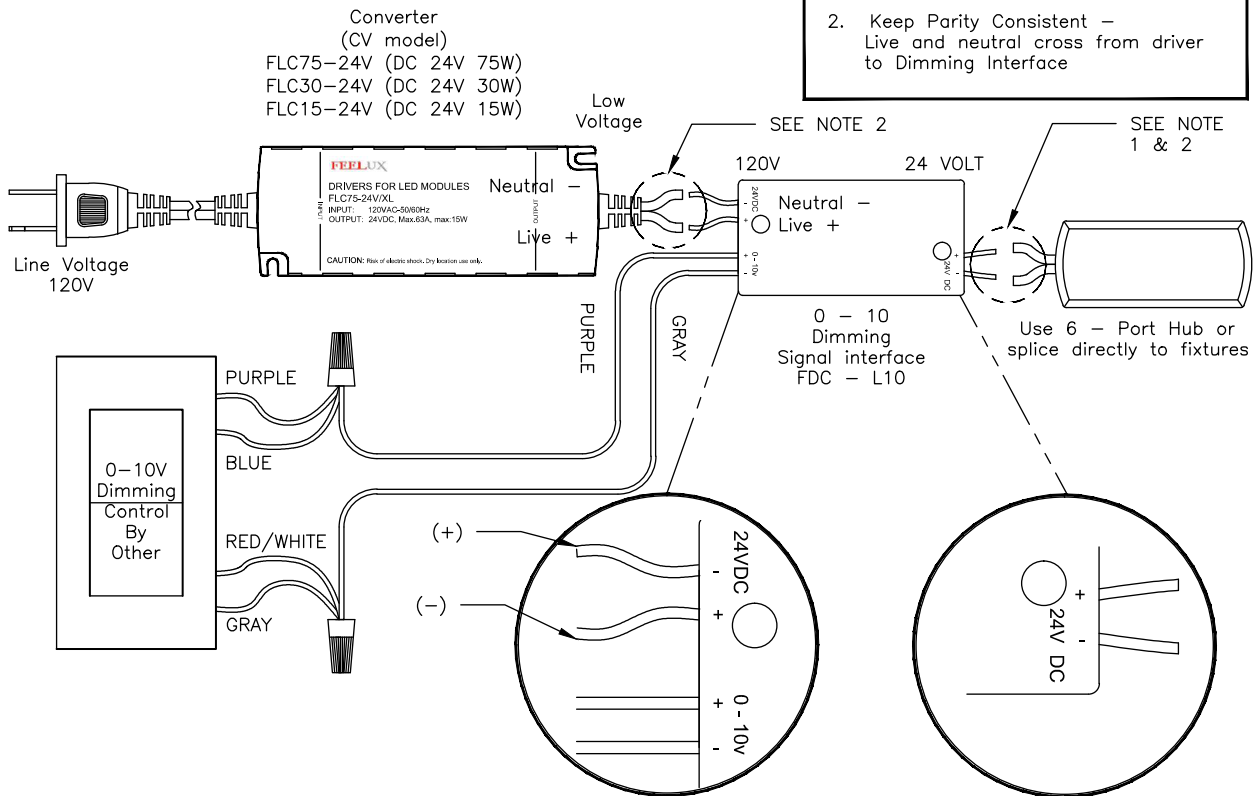
Step 4. Driver and Fixture Installation (Continued) :
In-Line Dimmer:



Dimming Wiring Instruction

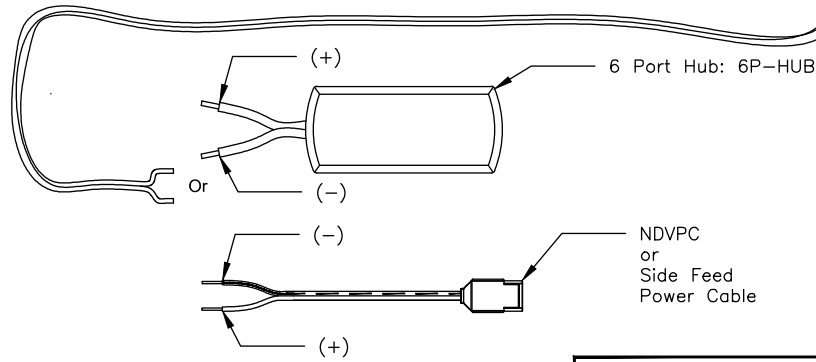
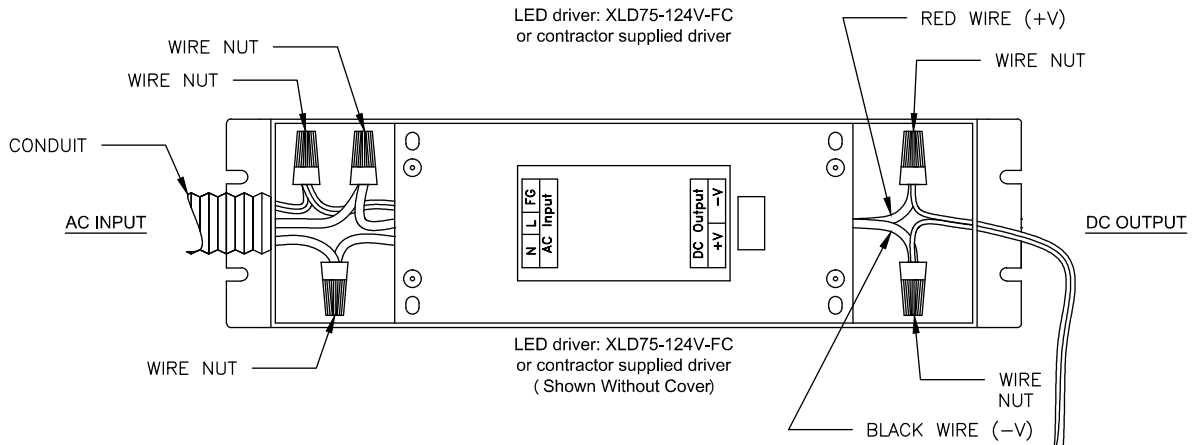
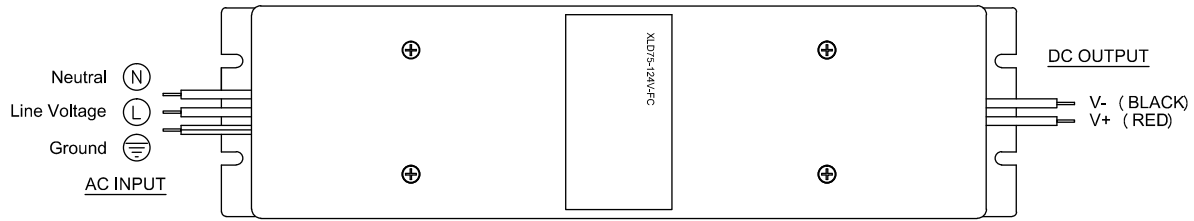
Note:

1. Splice cable between low voltage side of driver and distribution hub
2. Keep Parity Consistent – Live and neutral cross from driver to Dimming Interface

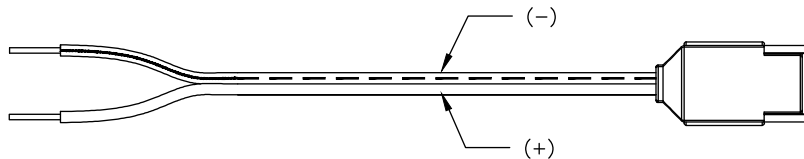


CAUTION: TOTAL CONNECTED FIXTURES WATTAGE NOT TO EXCEED DRIVER WATTAGE!

Step 4. Driver and Fixture Installation (Continued) :
Hardwire Driver:



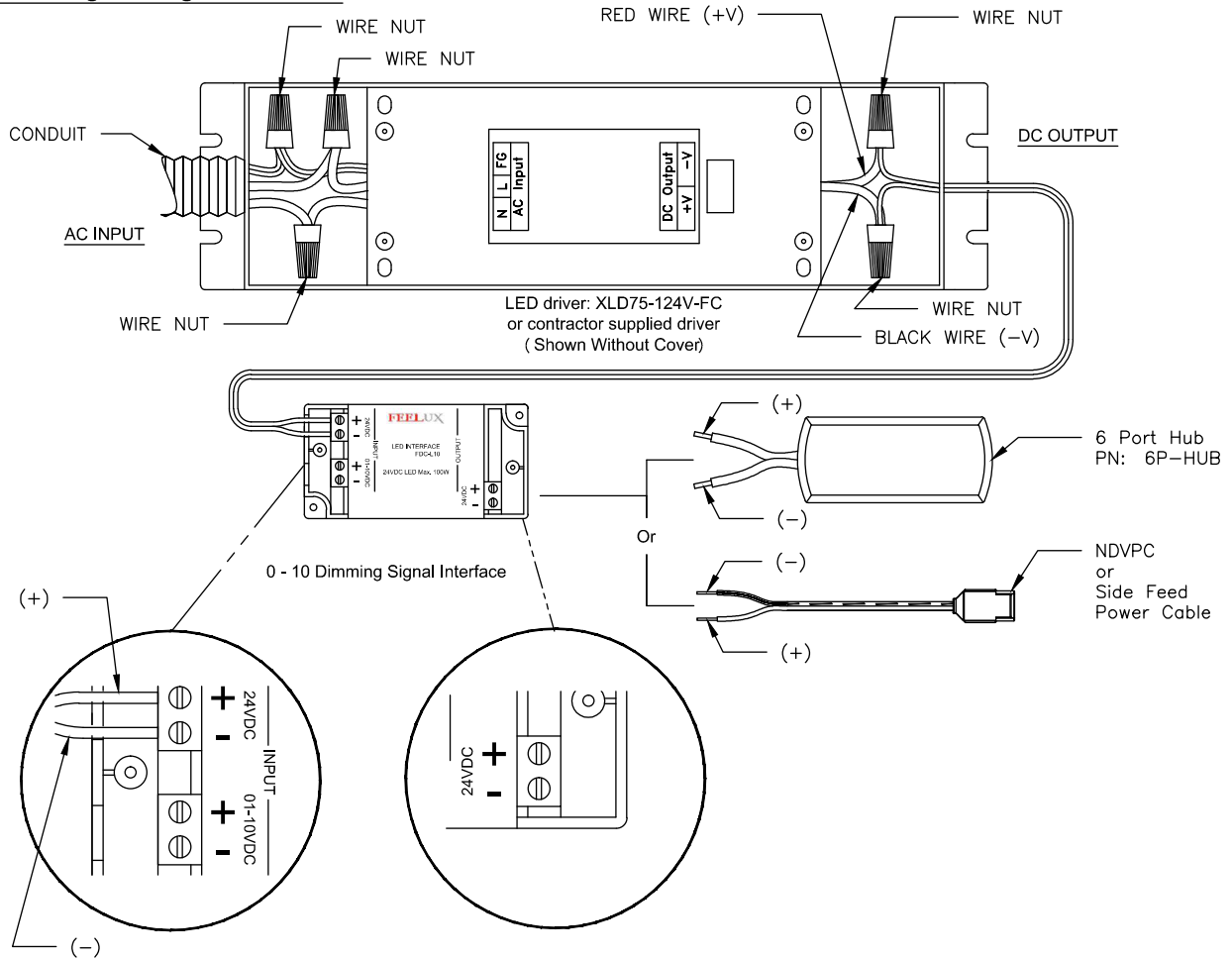
Note:
 1. Keep Polarity Consistent –
 Live and neutral cross from driver
 to 6 Port Hub: 6P-HUB or
 NDVPC or Side Feed power Cable



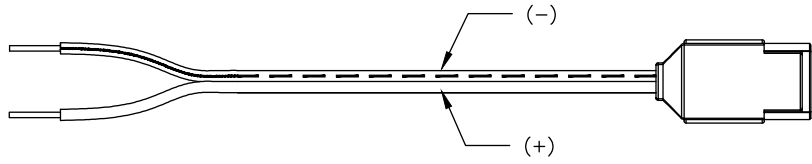
Cable Polarity Detail
 NDVPC

CAUTION: TOTAL CONNECTED FIXTURES WATTAGE NOT TO EXCEED DRIVER WATTAGE!

Step 4. Driver and Fixture Installation (Continued) :
Dimming Wiring instruction



- Note:
1. Splice cable between low voltage side of driver and distribution hub
 2. Keep Parity Consistent – Live and neutral cross from driver to Dimming Interface



Cable Polarity Detail
 NDVPC

CAUTION: TOTAL CONNECTED FIXTURES WATTAGE NOT TO EXCEED DRIVER WATTAGE!

Step 4. Driver and Fixture Installation (Continued) :
Dimming Wiring instruction

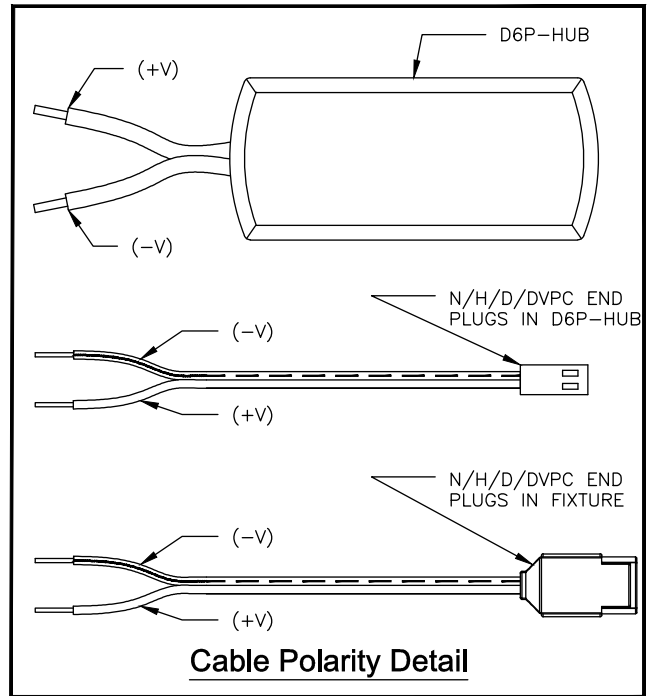
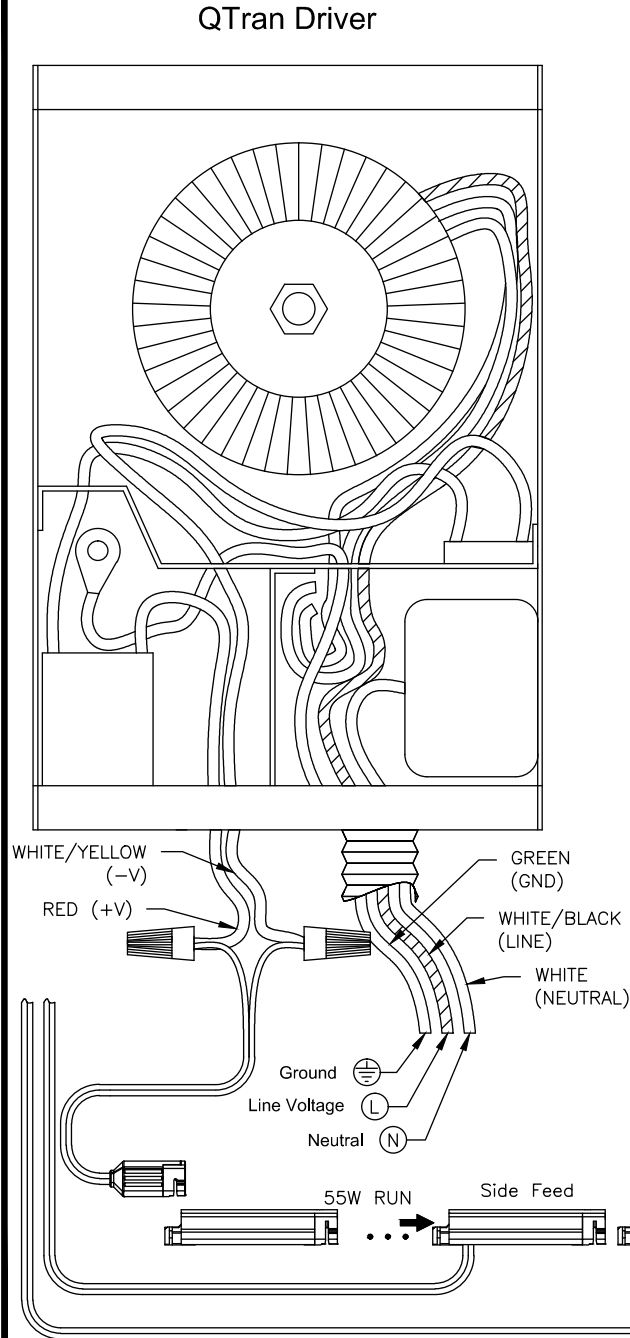
Note:

POWER CONNECTION

NDVPC, HDVPC, DDVPC and Side Feed power cables are 8 Ft. long. Power point connections to be located at 8 Ft. Max from first fixture or sidefeed fixture. Third party drivers can be remote located. EC to insure correct wire gauge is used to compensate for voltage drop over distance. EC to ensure 24VDC at connection point to D6P-HUB.

USE 1X D6P-HUB PER DRIVER FOR DIVA2 INSTALLATION

USE 2X D6P-HUB PER DRIVER FOR DIVA2 HO & DUAL INSTALLATION



Cable Polarity Detail

CAUTION: TOTAL CONNECTED FIXTURES WATTAGE NOT TO EXCEED DRIVER WATTAGE!