

## FLXible Neon 1 Dual

Super Slim Flexible LED With Spot-free Output

Shift Your Mood with Flexibility



- Bend direction horizontally
- Ultra slim spot free illumination
- Dimmable with 0-10V, forward/reverse phase
- Indoor and outdoor application
- Field cuttable (38.5mm) for customized length
- Available in standard lengths of 1, 2, 3, 4, 5M reels
- Tunable white





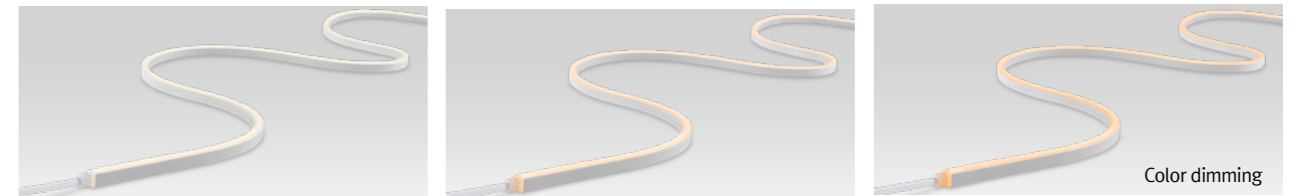
**Specification**

Model Number	Power Input	Lamp Power	Lumens	Color Temperature	Color Rendering	Operating Temperature
FN1 SC-24V-1M	DC 24V	19.17 W	504.6 lm	2,200K ~ 4,000K	Ra > 80	-10°C to 50°C

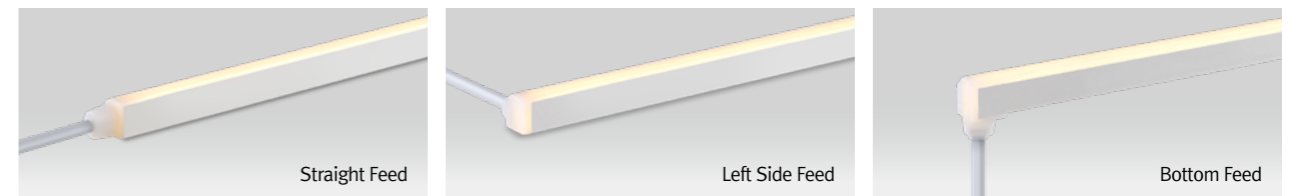
100% Brightness

- \* IP Rate
- IP67 with Factory Termination (Customized Length Available)
- IP65 with Field Termination
- IP20 with Indoor Termination

**Various options**

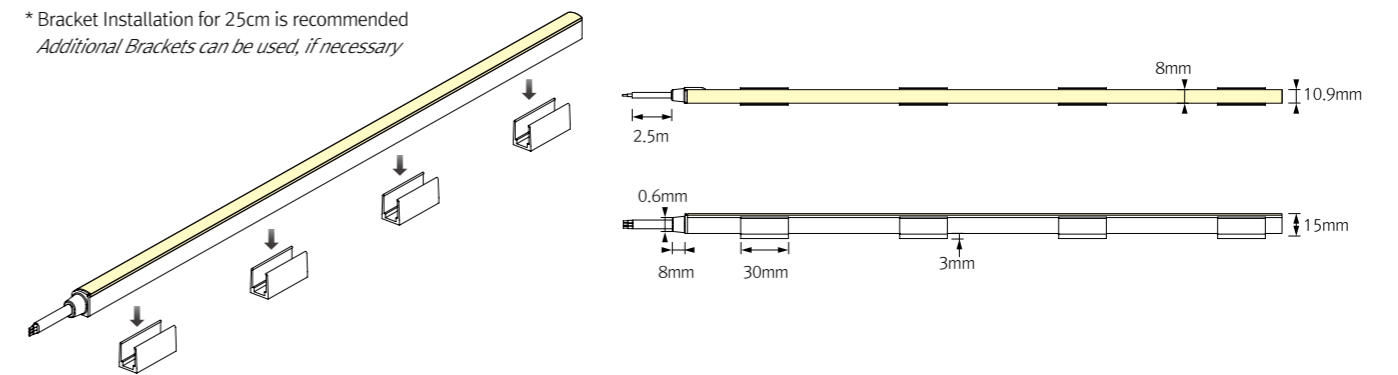


**Powerfeed type**

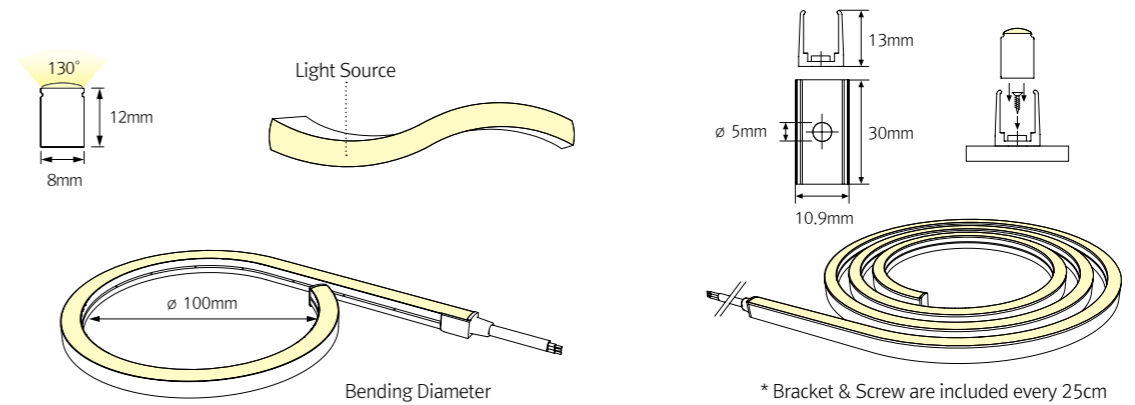


**Installation**

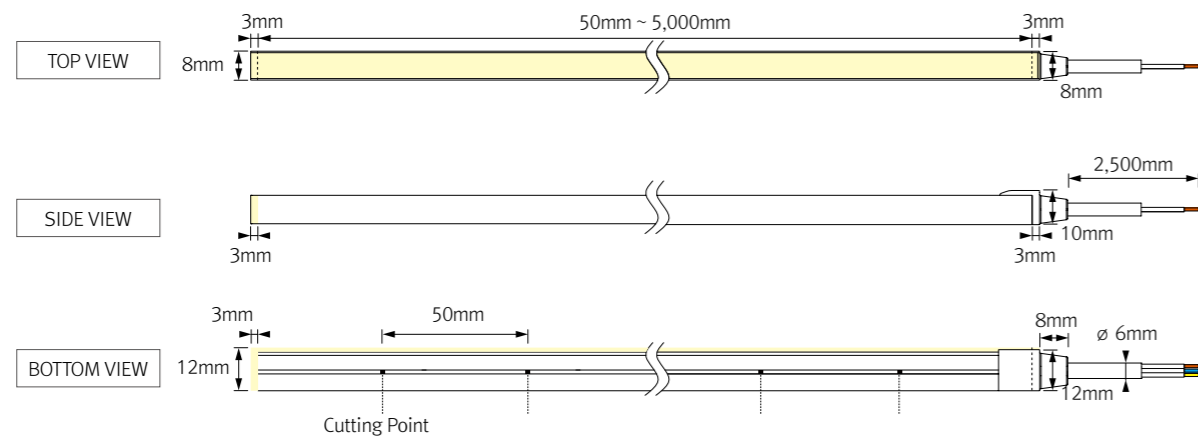
\* Bracket Installation for 25cm is recommended  
Additional Brackets can be used, if necessary



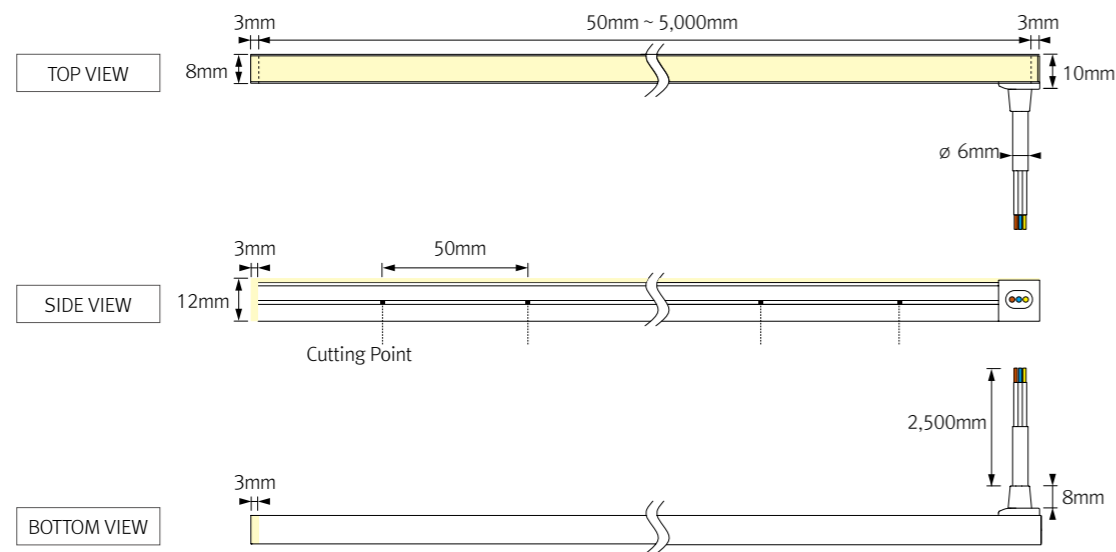
**Physical specifications**



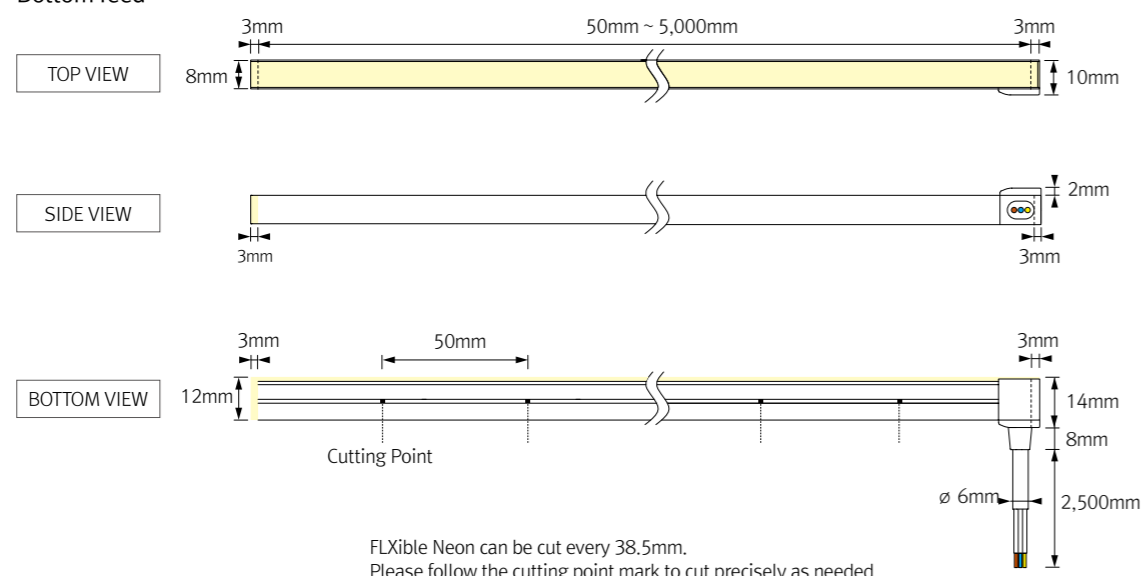
Straight Feed



Left Side Feed



Bottom feed



FLXible Neon can be cut every 38.5mm. Please follow the cutting point mark to cut precisely as needed.

Accessories

Ⓐ FLXible Neon 1 Straight Feed (Customized Length Available)

- FN1 SC-24V (5m)      FN1 SC-24V (2m)
- FN1 SC-24V (4m)      FN1 SC-24V (1m)
- FN1 SC-24V (3m)

Ⓑ FLXible Neon 1 Left Side Feed (Customized Length Available)

- FN1 SC-24V-LS (5m)      FN1 SC-24V-LS (2m)
- FN1 SC-24V-LS (4m)      FN1 SC-24V-LS (1m)
- FN1 SC-24V-LS (3m)

Ⓒ FLXible Neon 1 Bottom Feed (Customized Length Available)

- FN1 SC-24V-BS (5m)      FN1 SC-24V-BS (2m)
- FN1 SC-24V-BS (4m)      FN1 SC-24V-BS (1m)
- FN1 SC-24V-BS (3m)

Ⓓ Mounting Brackets

- FN1-BRACKET1, 1set = 4pcs

Ⓔ FN1 Extrusion Line (1,200mm)

- FN1-EXL

Ⓕ Angled Brackets (15° & 40°)

- FN1-BRACKET2 : 1set = 4pcs

Ⓖ Expanding Stick

- FN-EPS

Ⓗ Field Termination (IP65)

- FN1-FTKIT-DUAL

Ⓘ LED Driver with 12way distributor, with power cord (1,800mm)

Part No	FLC30-24V/T	FLC75-24V-P/T
Capacity	30W 24V	75W 24V

Ⓛ LED Driver : FLC200-24V/T (200W, DC24V)

- LED Driver With 12way distributor

Ⓚ Dimming Interface (0-10/1-10, DMX512)

- FDA-L2M0 : Max. 200W (100W/CH, 2CH)
- FDA-L5M : Max. 200W (50W/CH, 5CH)

Ⓛ Control Interface : FDD-L20

- Max. 200W (100W/CH, 1CH)

