

MonoRail Showcase Kit

Total Solution for Showcase

Convenient Pole System for Multi-use



- MonoRail 시스템을 응용한 쇼케이스 키트
- 미니 LED 스포트라이트와 폴을 편리하게 결합하여 사용 가능
- 폴의 길이 조절 가능
- 실버와 블랙 마감 중 선택
- DC24V 드라이버 사용

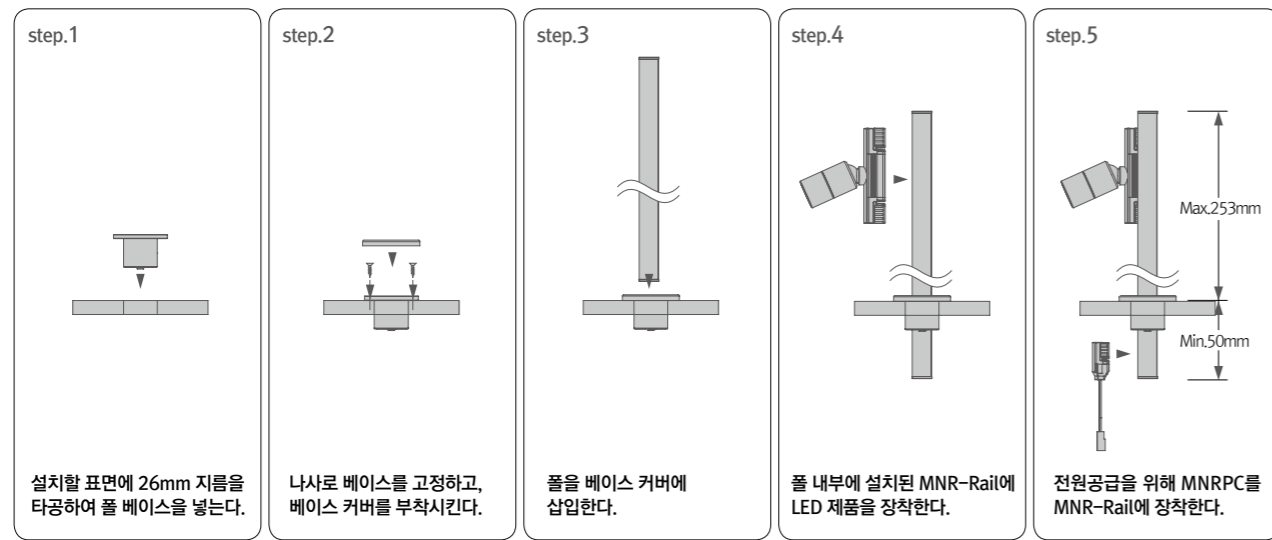


Slide LED fixtures along MNR-Rail

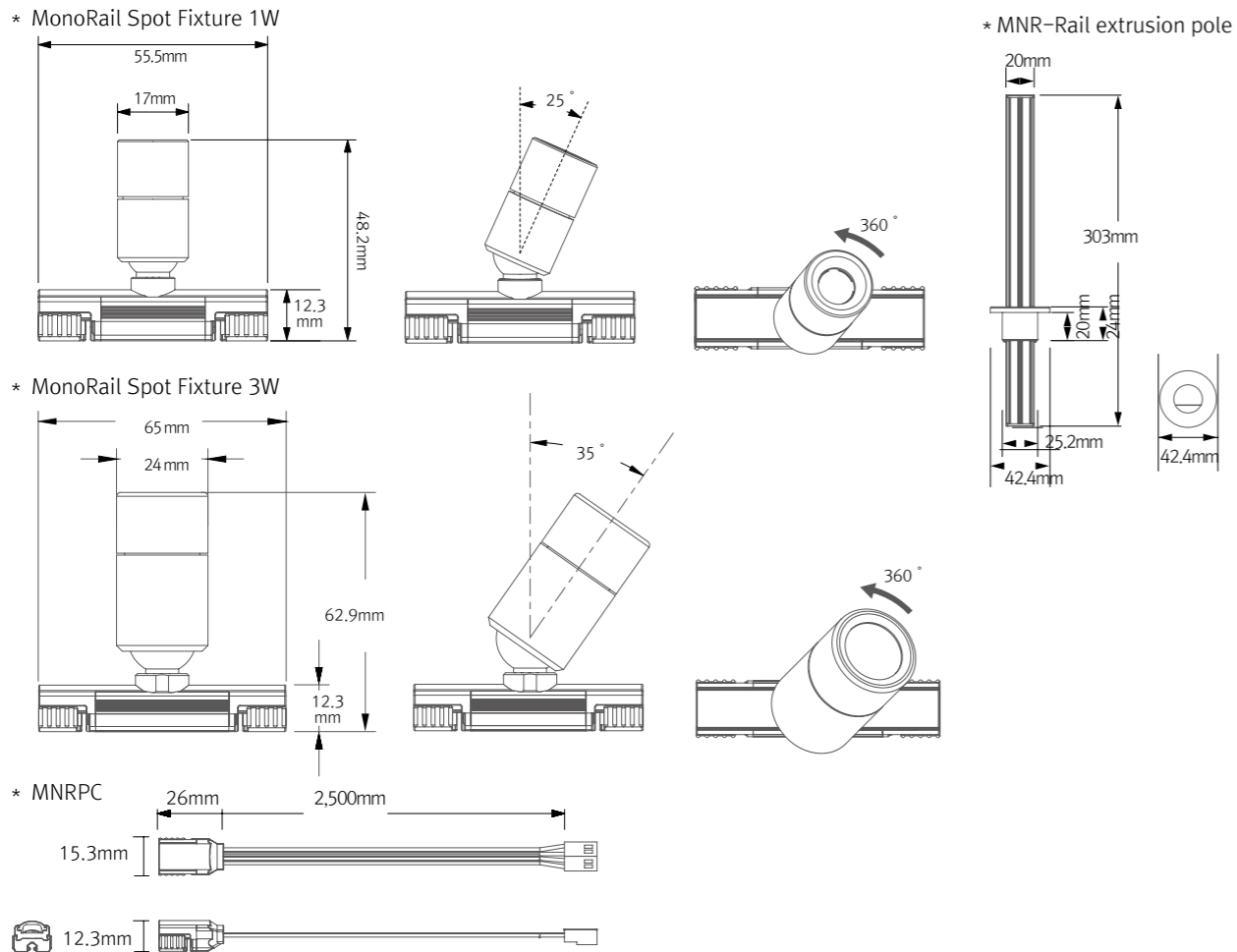
Adjustable pole length



설치방법



규격



필수 구성품



약세사리

① MNR-Rail extrusion pole (300mm)

Silver	Black
MNR-EXP-SV	MNR-EXP-BK



② MonoRail Spot

Beam angle	Silver	Black
15°	MRS1 40K-24V-SV-15	MRS1 40K-24V-BK-15
30°	MRS1 40K-24V-SV-30	MRS1 40K-24V-BK-30



③ MonoRail Spot HO

Beam angle	Silver	Black
25°	MRS3 40K-24V-SV-25	MRS3 40K-24V-BK-25
45°	MRS3 40K-24V-SV-45	MRS3 40K-24V-BK-45
60°	MRS3 40K-24V-SV-60	MRS3 40K-24V-BK-60



④ 전원공급케이블 (Power supply cable to the Rail) : MNRPC (2,500mm)

120W in one row (w/ terminal block)
180W in one row (w/o terminal block)



⑤ LED converter

Part NO	FLC30-24V/KR	FLC75-24V/KR
Capacity	24V/30W	24V/75W



⑥ LED SMPS

Part No	FLC150-24V-FDH	FLC200-24V-FDH	FLC300-24V-F
Capacity	150W 24V	200W 24V (IP66)	300W 24V (IP66)

