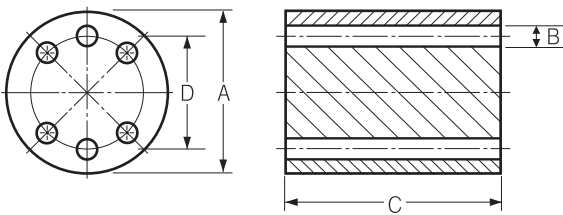


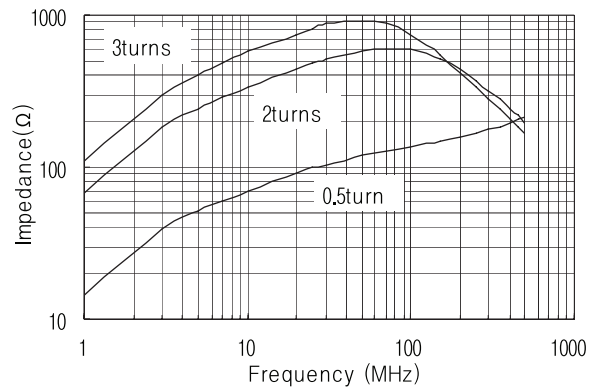
EMI Core_EMI Suppression For Connectors 6 HOLE BEAD



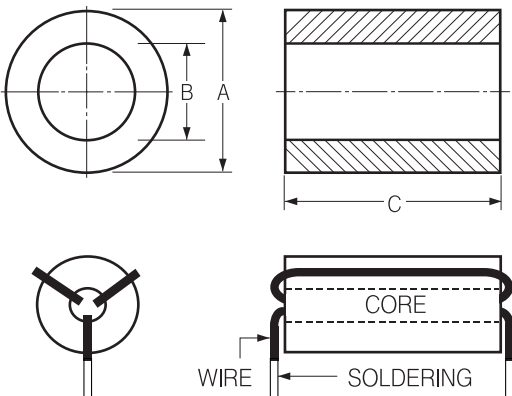
Type	Dimensions(mm)				Impedance (Ω , 1turn)		
	A	B	C	D	10MHz	25MHz	100MHz
BH-6	6.0±0.3	0.8±0.1	100±0.5	3.8Ref.	70	99	137

Impedance vs. Frequency Characteristics.

BH-6

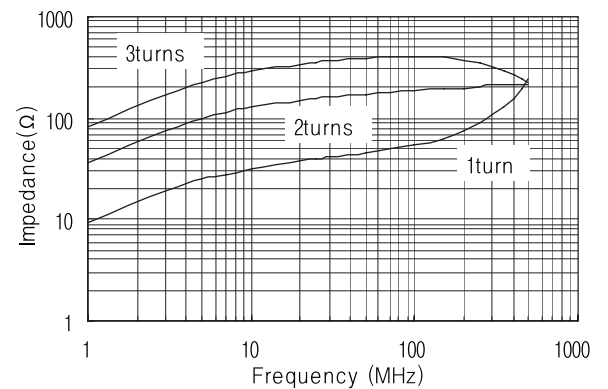


EMI Core_EMI Suppression For Connectors BEAD INDUCTOR



Impedance vs. Frequency Characteristics.

BC4865



Type	Dimensions(mm)			Impedance (Ω , 1turn)		
	A	B	C	10MHz	25MHz	100MHz
BC4865	4.8±0.3	2.0±0.1	6.5±0.4	32	40	54