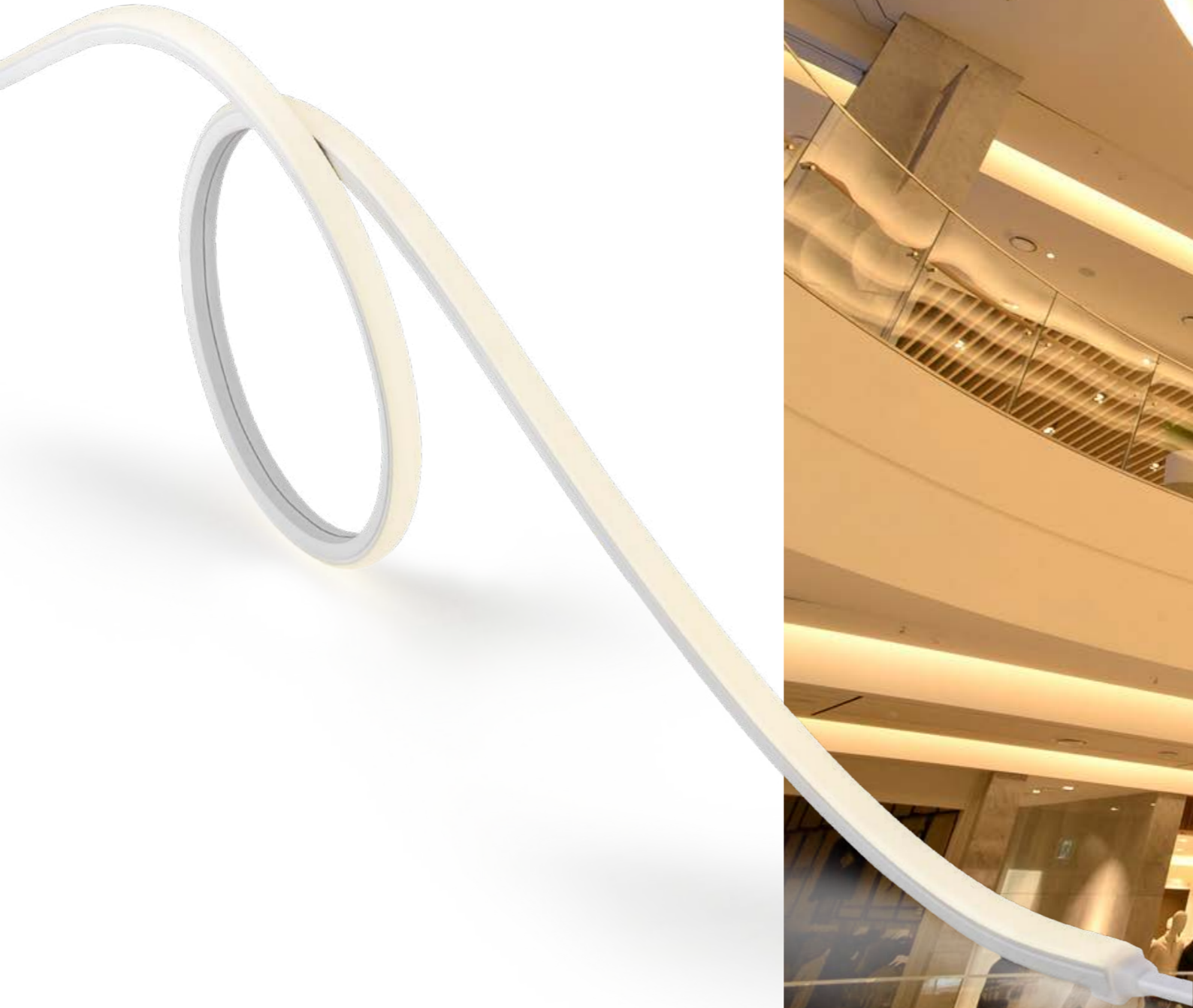


FLXible NEON 2

Super Slim Flexible LED with Spot-free Output



- 수직 방향으로 자유로운 곡선 연출 가능
- 제품 출고시 IP67
- 현장 재단시 IP65 (전용 액세서리 사용)
- DC24V, 12.5W/m
- 디밍 기능 적용 가능
- 실내 및 실외 사용 가능

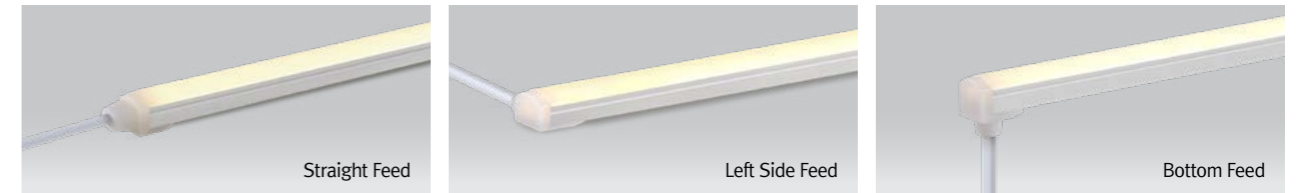




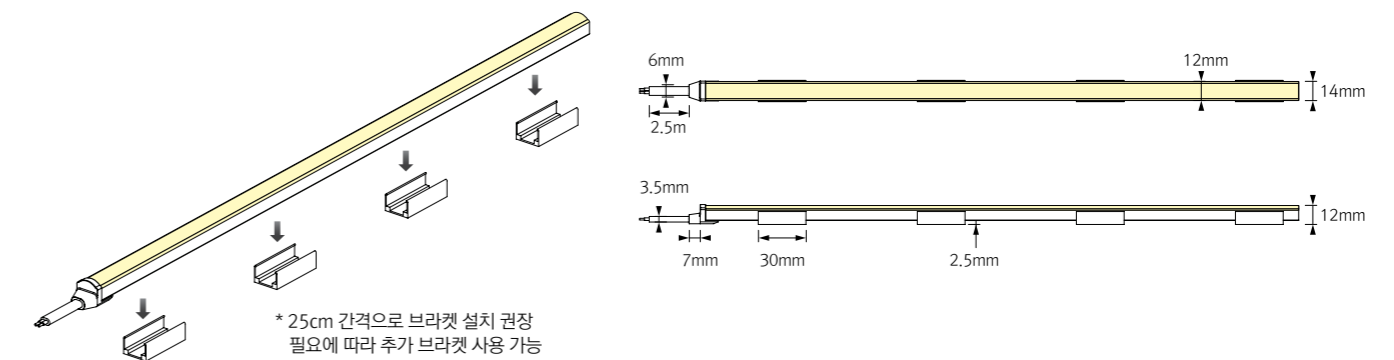
사양

| 제품명 | 입력전압 | 소비전력 | 광속 (1M기준) | 광효율 | 색온도 | 연색성 | 사용온도 |
|----------------|-------|---------|--------------|---------|------------------------------------|---------|---------------|
| FN2 40K-24V-1M | DC24V | 12.5W/M | 650 lm | 65 lm/W | 2,700K/3,000K/3,500K/4,000K/6,000K | Ra > 80 | -10°C to 50°C |
| FN2 40K-24V-2M | DC24V | 12.5W/M | 1,300 lm | 65 lm/W | 2,700K/3,000K/3,500K/4,000K/6,000K | Ra > 80 | -10°C to 50°C |
| FN2 40K-24V-3M | DC24V | 12.5W/M | 1,950 lm | 65 lm/W | 2,700K/3,000K/3,500K/4,000K/6,000K | Ra > 80 | -10°C to 50°C |
| FN2 40K-24V-4M | DC24V | 12.5W/M | 2,600 lm | 65 lm/W | 2,700K/3,000K/3,500K/4,000K/6,000K | Ra > 80 | -10°C to 50°C |
| FN2 40K-24V-5M | DC24V | 12.5W/M | 3,250 lm | 65 lm/W | 2,700K/3,000K/3,500K/4,000K/6,000K | Ra > 80 | -10°C to 50°C |

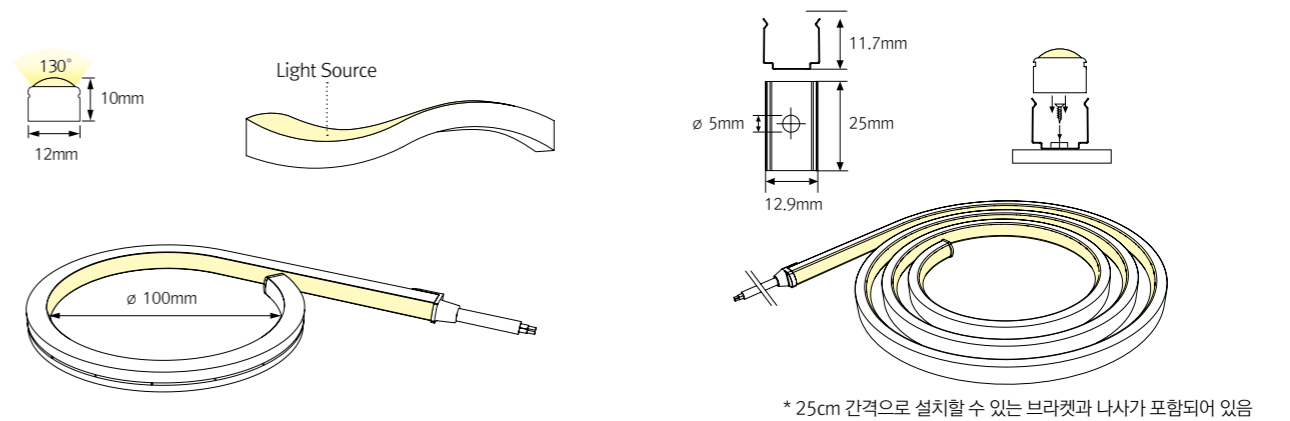
제품 타입



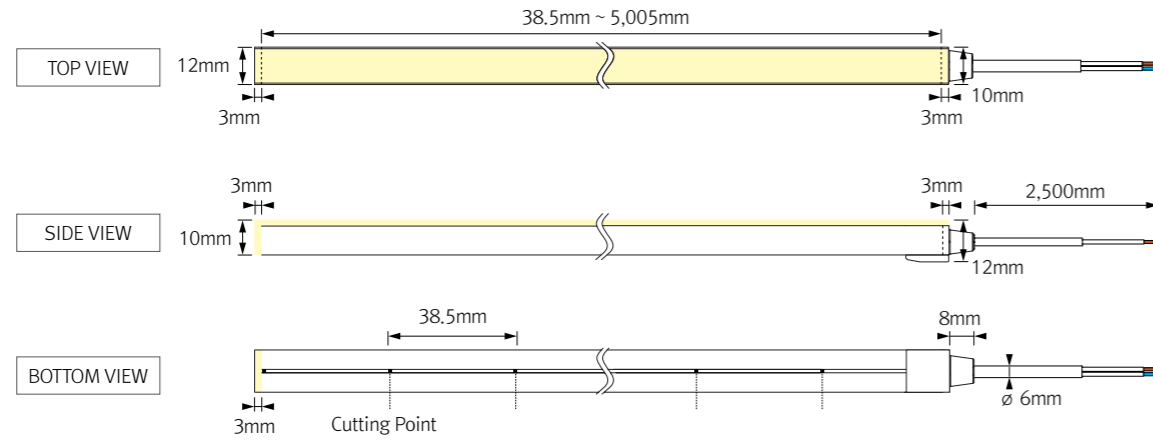
설치방법



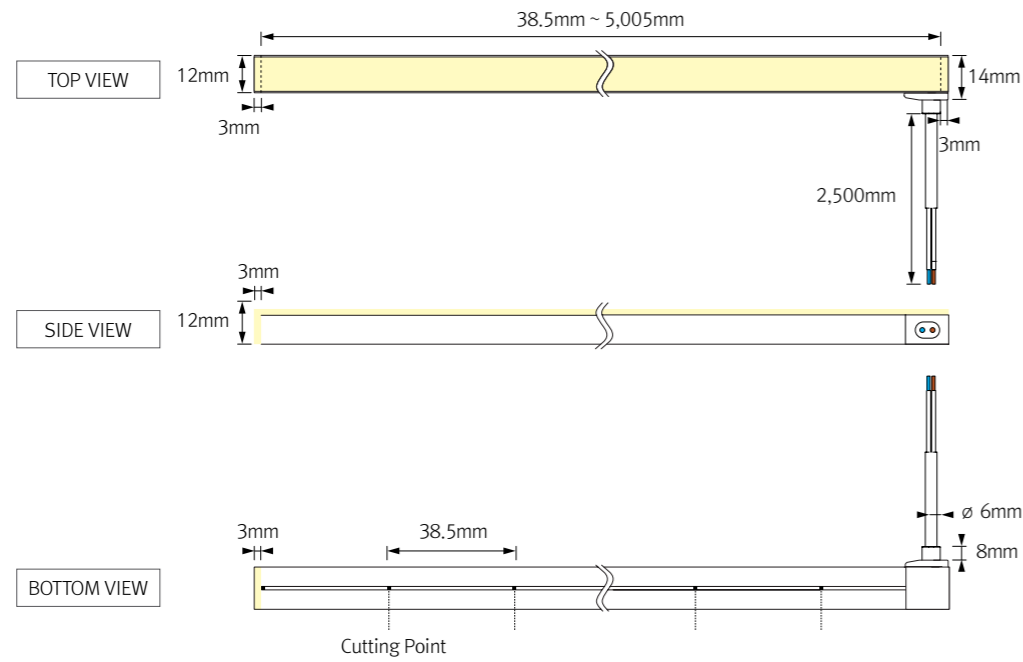
규격



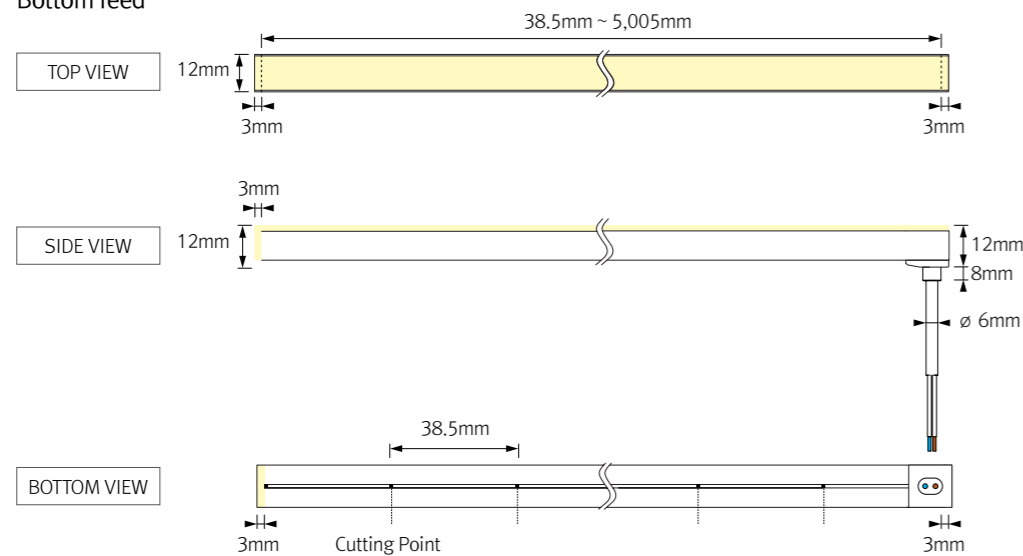
Straight Feed



Left Side Feed



Bottom feed



38.5mm마다 컷팅 가능
컷팅 포인트에 따라 정확한 절단 필요.

약세사리

㉓ FLXible Neon 2 Straight Feed (Customized Length Available)

- FN2 40K-24V (5m) FN2 40K-24V (2m)
- FN2 40K-24V (4m) FN2 40K-24V (1m)
- FN2 40K-24V (3m)

㉔ FLXible Neon 2 Left Side Feed (Customized Length Available)

- FN2 40K-24V-LS (5m) FN2 40K-24V-LS (2m)
- FN2 40K-24V-LS (4m) FN2 40K-24V-LS (1m)
- FN2 40K-24V-LS (3m)

㉕ FLXible Neon 2 Bottom Feed (Customized Length Available)

- FN2 40K-24V-BS (5m) FN2 40K-24V-BS (2m)
- FN2 40K-24V-BS (4m) FN2 40K-24V-BS (1m)
- FN2 40K-24V-BS (3m)

㉖ 브라켓

- FN2-BRACKET1, 1set = 4pcs

㉗ FN2 Extrusion Line (1,200mm)

- FN2-EXL

㉘ 투명 브라켓

- FN2 - BRACKETS1-T

㉙ Field Termination

- FN2-FTKIT

㉚ LED Converter

| | | |
|----------|--------------|--------------|
| Part No | FLC30-24V/KR | FLC75-24V/KR |
| Capacity | 30W 20V | 75W 24V |

㉛ LED SMPS

| | | | |
|----------|----------------|-----------------|-----------------|
| Part No | FLC150-24V-FDH | FLC200-24V-FDH | FLC300-24V-F |
| Capacity | 150W 24V | 200W 24V (IP66) | 300W 24V (IP66) |

㉜ Dimming Interface (0-10 V) : FDC-L10

- Max. 100W (100W/CH, 1CH)

㉝ Dimming Interface (0-10/1-10, DMX512)

- FDA-L2M0 : Max. 200W (100W/CH, 2CH)
- FDA-L5M : Max. 200W (50W/CH, 5CH)

㉞ Dimming Interface (Dail): FDD-L1DA

- Max. 200W (100W/fed, 2feeds)

