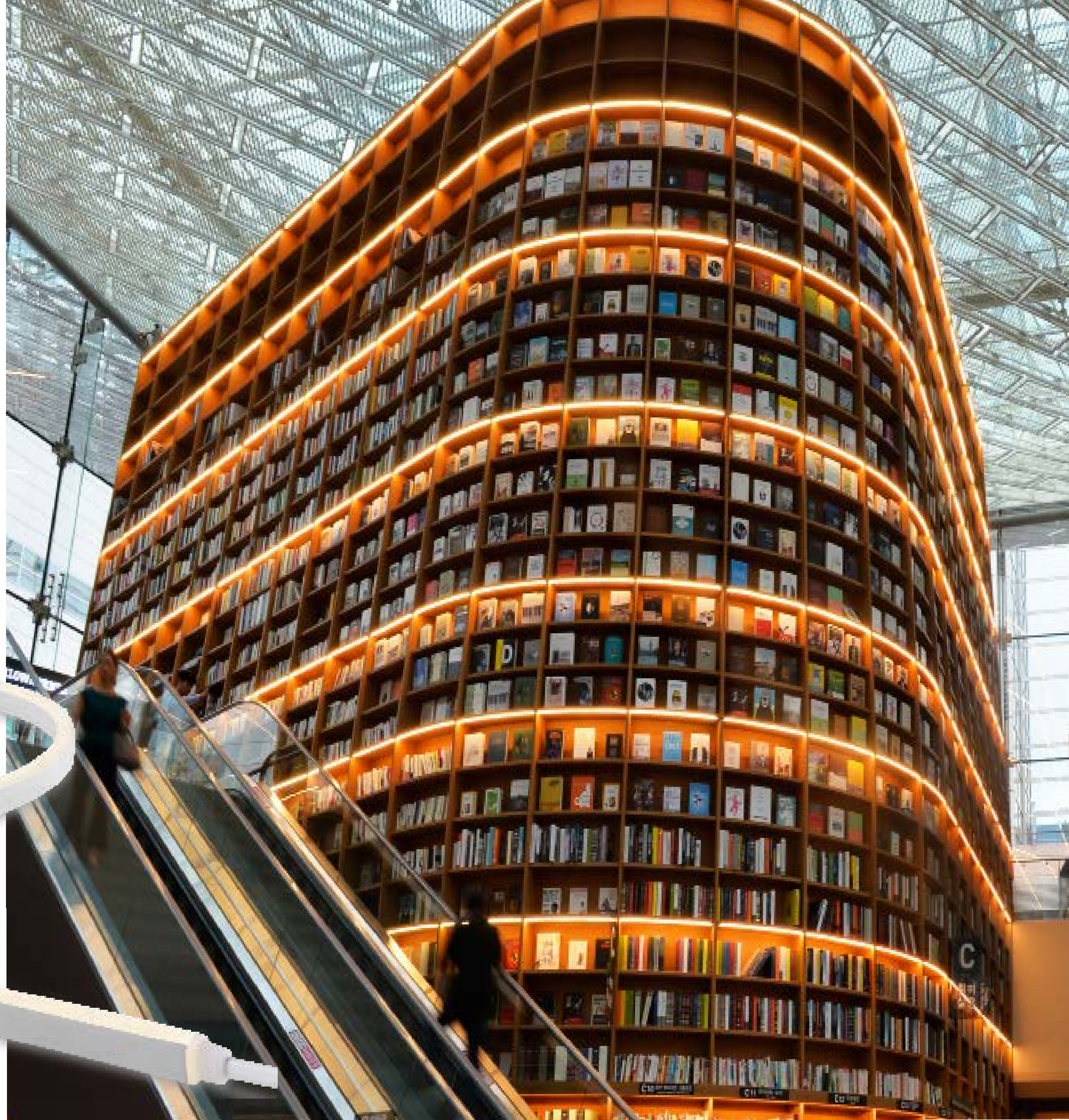


FLXible NEON 1*Super Slim Flexible LED with Spot-free Output*

- 수평 방향으로 자유로운 곡선 연출 가능
- 제품 출고시 IP67
- 현장 재단시 IP65 (전용 액세서리 사용)
- DC24V, 12.5W/m
- 디밍 기능 적용 가능
- 실내 및 실외 사용 가능

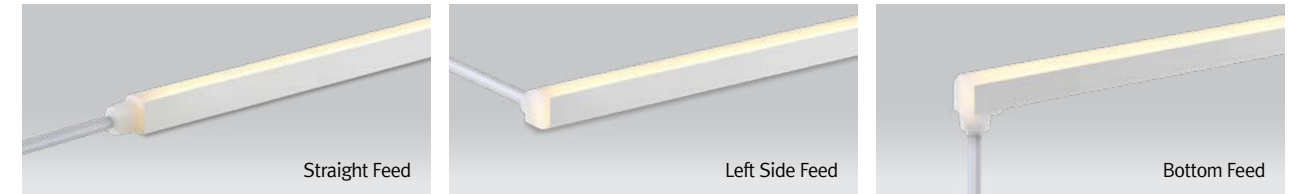




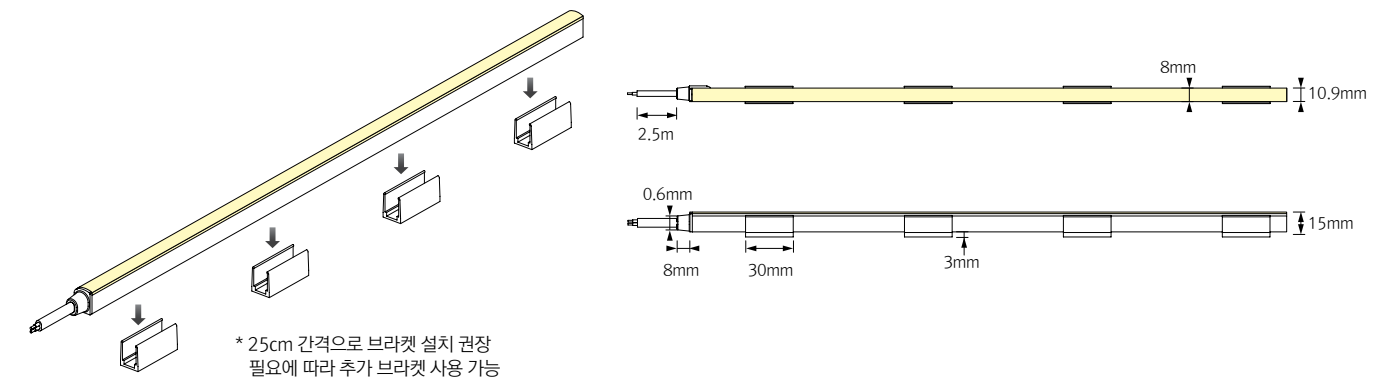
사양

제품명	입력전압	소비전력	광속 (1M기준)	광효율	색온도	연색성	사용온도
FN1 40K-24V-1M	DC24V	12.5W/M	500 lm	40 lm/W	2,700K/3,000K/3,500K/4,000K/6,000K	Ra > 80	-10°C to 50°C
FN1 40K-24V-2M	DC24V	12.5W/M	1,000 lm	40 lm/W	2,700K/3,000K/3,500K/4,000K/6,000K	Ra > 80	-10°C to 50°C
FN1 40K-24V-3M	DC24V	12.5W/M	1,500 lm	40 lm/W	2,700K/3,000K/3,500K/4,000K/6,000K	Ra > 80	-10°C to 50°C
FN1 40K-24V-4M	DC24V	12.5W/M	2,000 lm	40 lm/W	2,700K/3,000K/3,500K/4,000K/6,000K	Ra > 80	-10°C to 50°C
FN1 40K-24V-5M	DC24V	12.5W/M	2,500 lm	40 lm/W	2,700K/3,000K/3,500K/4,000K/6,000K	Ra > 80	-10°C to 50°C

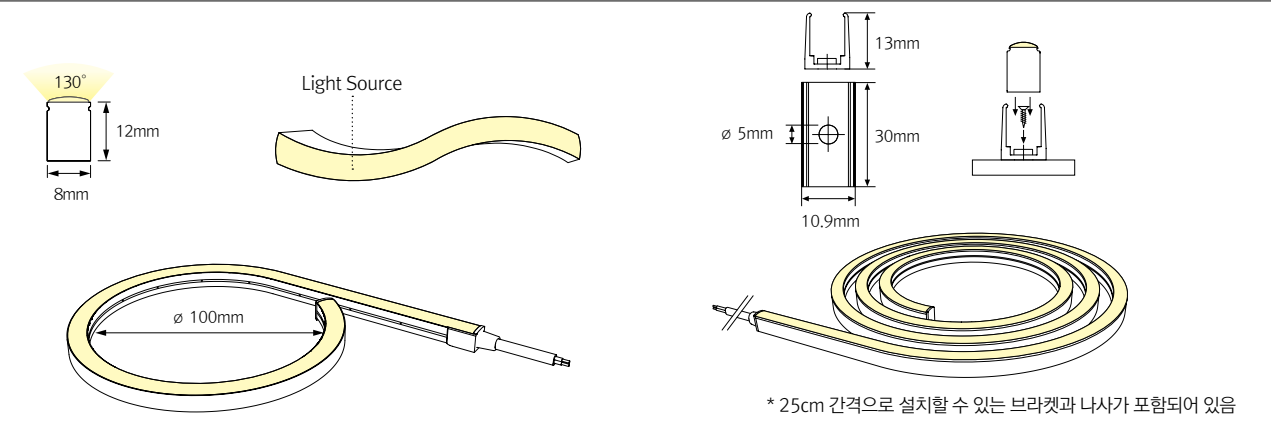
제품 타입



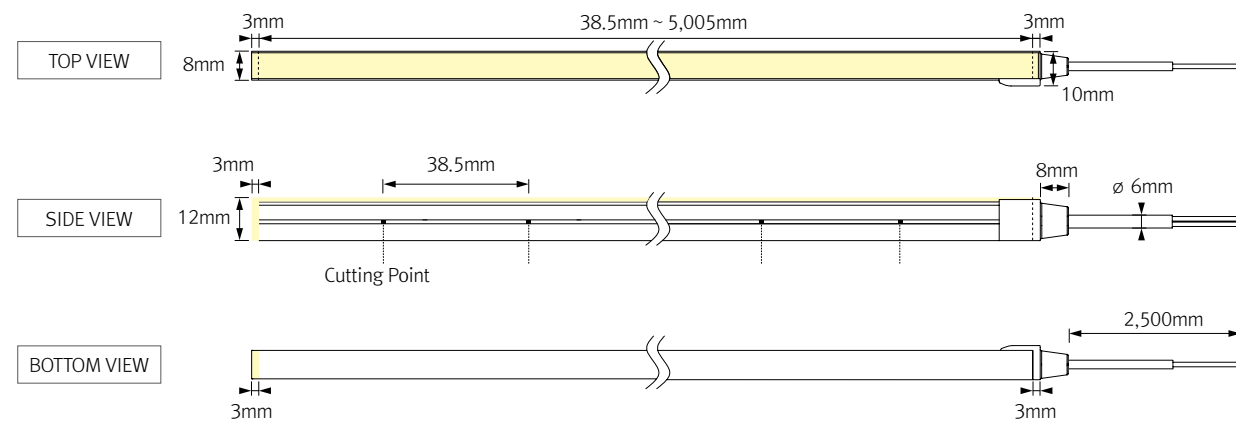
설치방법



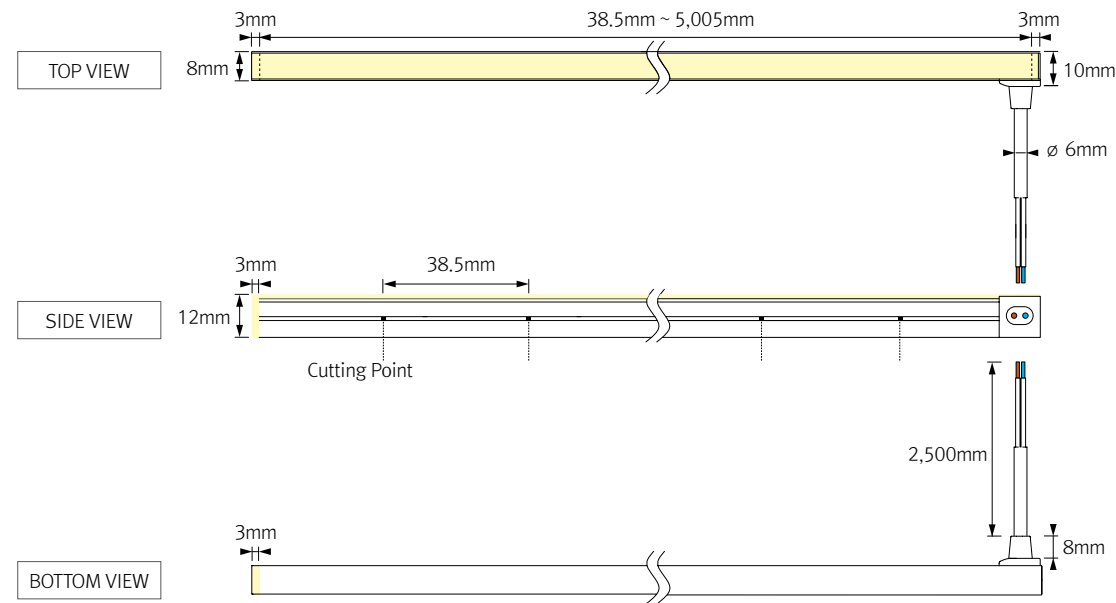
규격



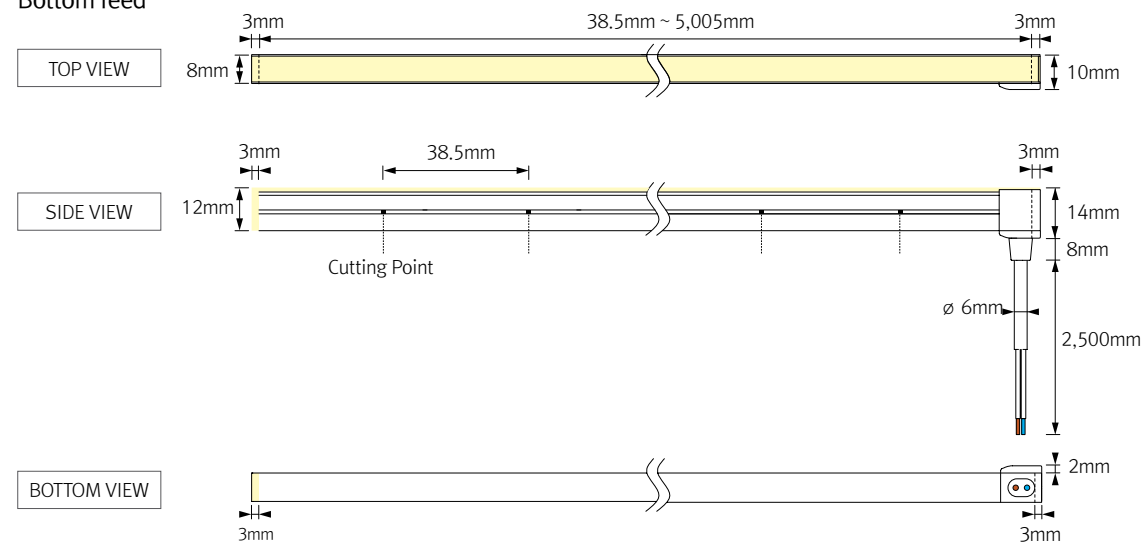
Straight Feed



Left Side Feed



Bottom feed



38.5mm마다 컷팅 가능
컷팅 포인트에 따라 정확한 절단 필요.

악세서리

㉑ FLXible Neon 1 Straight Feed (Customized Length Available)

- FN1 40K-24V (5m) FN1 40K-24V (2m)
- FN1 40K-24V (4m) FN1 40K-24V (1m)
- FN1 40K-24V (3m)

㉒ FLXible Neon 1 Left Side Feed (Customized Length Available)

- FN1 40K-24V-LS (5m) FN1 40K-24V-LS (2m)
- FN1 40K-24V-LS (4m) FN1 40K-24V-LS (1m)
- FN1 40K-24V-LS (3m)

㉓ FLXible Neon 1 Bottom Feed (Customized Length Available)

- FN1 40K-24V-BS (5m) FN1 40K-24V-BS (2m)
- FN1 40K-24V-BS (4m) FN1 40K-24V-BS (1m)
- FN1 40K-24V-BS (3m)

㉔ 브라켓

- FN1-BRACKET1, 1set = 4pcs

㉕ FN1 Extrusion Line (1,200mm)

- FN1-EXL

㉖ 각도 브라켓 (15° & 40°)

- FN1-BRACKET2 : 1set = 4pcs

㉗ Field Termination (IP 65)

- FN1-FTKIT

㉘ LED Converter

Part No	FLC30-24V/KR	FLC75-24V/KR
Capacity	30W 20V	75W 24V

㉙ LED SMPS

Part No	FLC150-24V-FDH	FLC200-24V-FDH	FLC300-24V-F
Capacity	150W 24V	200W 24V (IP66)	300W 24V (IP66)

㉚ Dimming Interface (0-10 V) : FDC-L10

- Max. 100W (100W/CH, 1CH)

㉛ Dimming Interface (0-10/1-10, DMX512)

- FDA-L2M0 : Max. 200W (100W/CH, 2CH)
- FDA-L5M : Max. 200W (50W/CH, 5CH)

㉜ Dimming Interface (Dail) : FDD-L1DA

- Max. 200W (100W/fed, 2feeds)

