



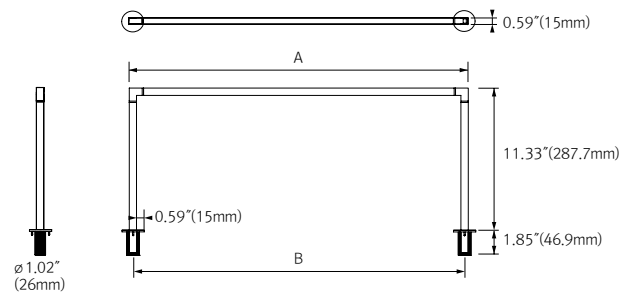
PRODUCT FEATURES

- Sleek aluminum body with rotating top bar
- Easy assembly with MonoRail Pro(MNP) and Spot(MRS)
- Various length available
- Ideal for showcase , exhibit, museum design
- Dimmable

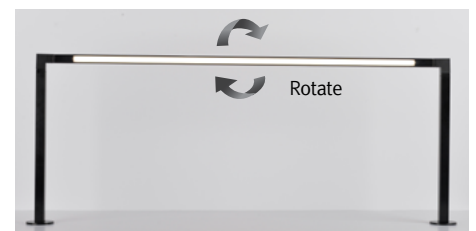
※ Attachable lighting fixture option for showcase arm kit

Available with	Lamp Power	Luminous Flux (4000K)	Beam Angle
MRS1 40K-24V-BK	1W	95 lm	15° , 35°
MNP1 40K-24V-BK	1W	113 lm	-
MNP4 40K-24V-BK	4W	362 lm	
MNP8 40K-24V-BK	8W	722 lm	

DIMENSIONS

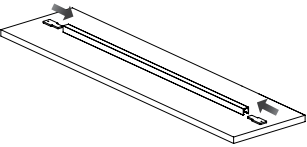


A (Top Length)	B (Recommended Distance for Mounting Holes)
15.6" (396.5mm)	15" (381mm)
26.6" (676.5mm)	26" (661mm)
37.6" (955.5mm)	37" (940mm)
48.6" (1234.5mm)	48" (1219mm)



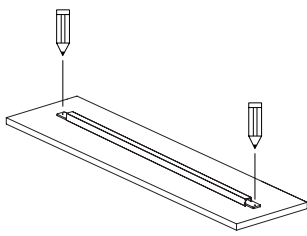
INSTALLATION

Step.1



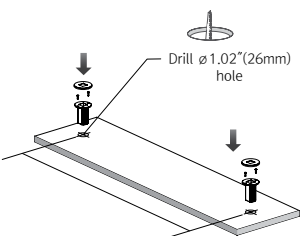
- Place the Top Bar onto the deck.
- Insert the hole guides into both ends of Top Bar.

Step.2



- Mark the hole to determine the location to drill.

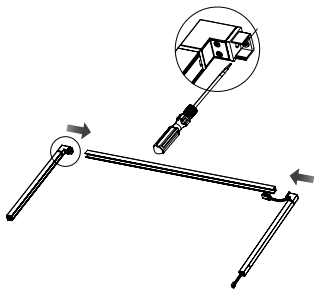
Step.3



Drill $\varnothing 1.02"$ (26mm) hole

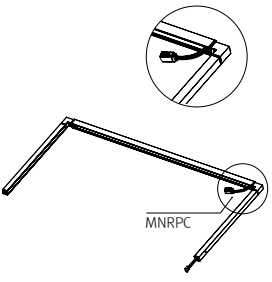
- Drill $\varnothing 26$ mm holes to insert Mounting Base.
- Fix Mounting Base with screws and attach Mounting Base Cover on top.

Step.4



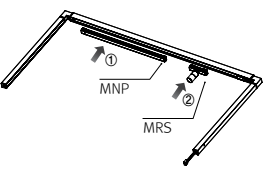
- Connect Top Bar with Side Pole and Power Pole on each side.
- Tighten the screw on both Side Pole and Power Pole for assembly stability.

Step.5



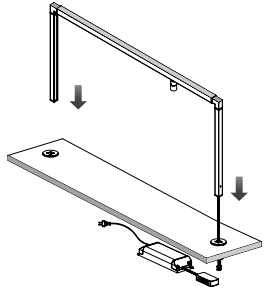
- Attach the MNRPC clip on the power supply track inside the Top bar.

Step.6



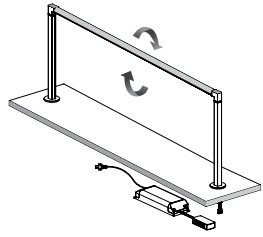
- Mount MonoRail fixtures (MNP or MRS) on Top Bar.

Step.7



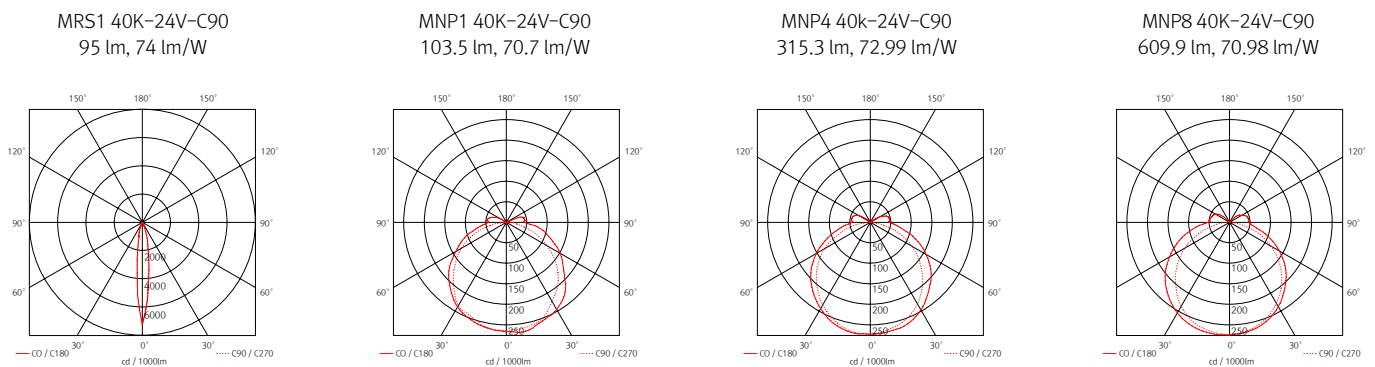
- Insert Side Pole and Power Pole onto Mounting Base Cover.
- Connect power cord from Power Pole to FLC30/FLC75 LED driver.

Step.8



- Rotate Top Bar to desired position and check MonoRail Lighting fixtures are on and functioning properly

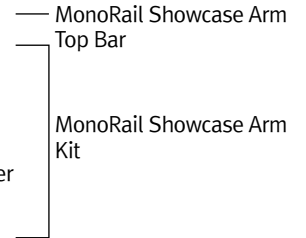
BEAM SPREADS



Required Accessories



- Ⓐ LED Driver
- Ⓑ MonoRail Spot
- Ⓒ MonoRail Pro
- Ⓓ Top Bar
- Ⓔ Hole guide
- Ⓕ Side Pole
- Ⓖ Power Pole
- Ⓗ Mounting Base
- Ⓘ Mounting Base Cover
- ⓷ Screw



* Item Ⓐ Ⓑ Ⓒ are sold separately

COMPONENTS



MonoRail Showcase Arm

__ MNR-SA-Kit



MonoRail Showcase Arm Top Bar

- __ MNR4-SA-Kit-TB / 15.6" (396.5mm)
- __ MNR7-SA-Kit-TB / 26.6" (676.5mm)
- __ MNR11-SA-Kit-TB / 37.6" (955.5mm)
- __ MNR15-SA-Kit-TB / 48.6" (1234.5mm)



MonoRail Spot

- __ MRS1 (color)K-24V-BK-15 (15°)
- __ MRS1 (color)K-24V-BK-35 (35°)



LED Driver

- With distributor and power cord
1,800mm(6')
- __ FLC30-24V/XL
 - __ FLC75-24V/XL



MonoRail Pro

- __ MNP1 (color)K-24V-BK
95mm(3.74") / 1.45 Watt
 - __ MNP4 (color)K-24V-BK
286mm(11.2") / 4.33 Watt
- MonoRail Pro
- __ MNP8 (color)K-24V-BK
572mm(22.5") / 8.59 Watt