

PRODUCT FEATURES

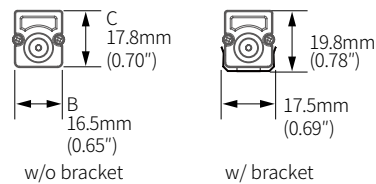
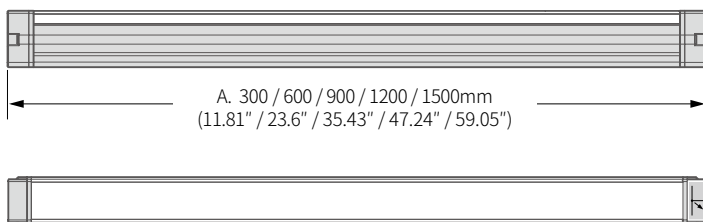
- Super slim Freezer and Cooler lighting
- High Efficiency / High Output
- High CRI (CRI 90)
- IP65 Rating
- Comply with EN 60335-2-89
- Special Beam Angle for Multiple Uses.
- Special Color Led for Meat

PRODUCT SPECIFICATIONS

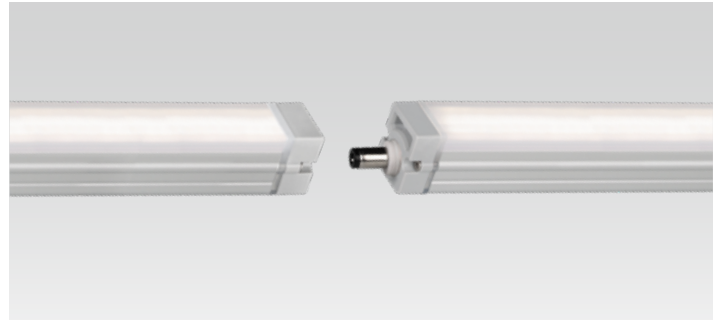
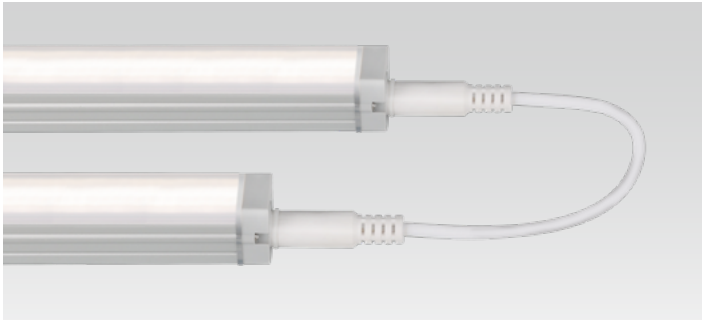
- Voltage: DC 24V
- Operating Temperature: -30°C ~ 35°C
- Lamp Life: 50,000hrs L70
- Available Color: 3000K, 4000K, MEAT RED
- Color Rendering: Ra>90
- Energy Efficiency: 115lm/W
- Degree of Protection: IP65

DIMENSIONS

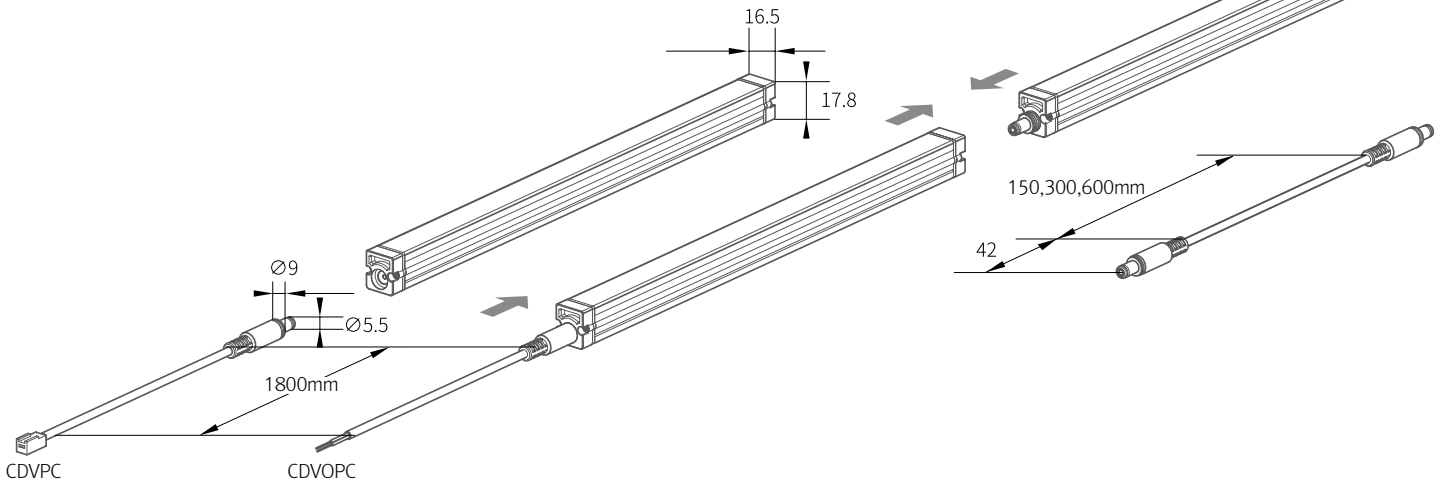
Model Number	Voltage Input (V)	Power Input (W)	Luminous Flux (lm)	Color Rendering	Efficiency (lm/W)	A mm(")	B mm(")	C mm(")
CDV4-40K-24V	DC24	4	481	>90	115	300(11.81")	16.5(0.65")	17.8(0.70")
CDV8-40K-24V		8	970			600(23.62")		
CDV12-40K-24V		12	1456			900(35.43")		
CDV16-40K-24V		16	2000			1200(47.24")		
CDV20-40K-24V		20	2480			1500(59.05")		
CDV4-MR-24V		4	243	-	60	300(11.81")		
CDV8-MR-24V		8	488			600(23.62")		
CDV12-MR-24V		12	726			900(35.43")		
CDV16-MR-24V		16	970			1200(47.24")		
CDV20-MR-24V		20	1201			1500(59.05")		



EASY CONECTION



INSTALLATION

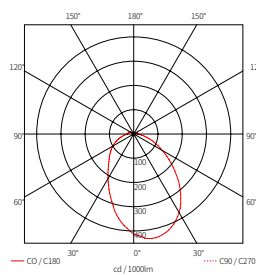


BEAM SPREADS

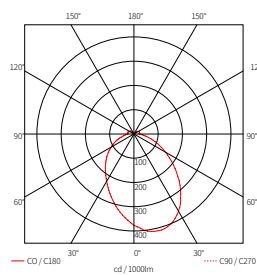
Asymmrtric
frosted



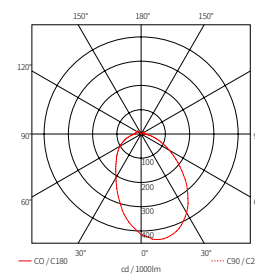
CDV 4W 40K-24V
115 lm/W, 481 lm



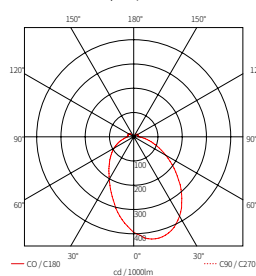
CDV 8W 40K-24V
115 lm/W, 970 lm



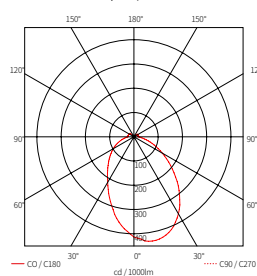
CDV 12W 40K-24V
115 lm/W, 1456 lm

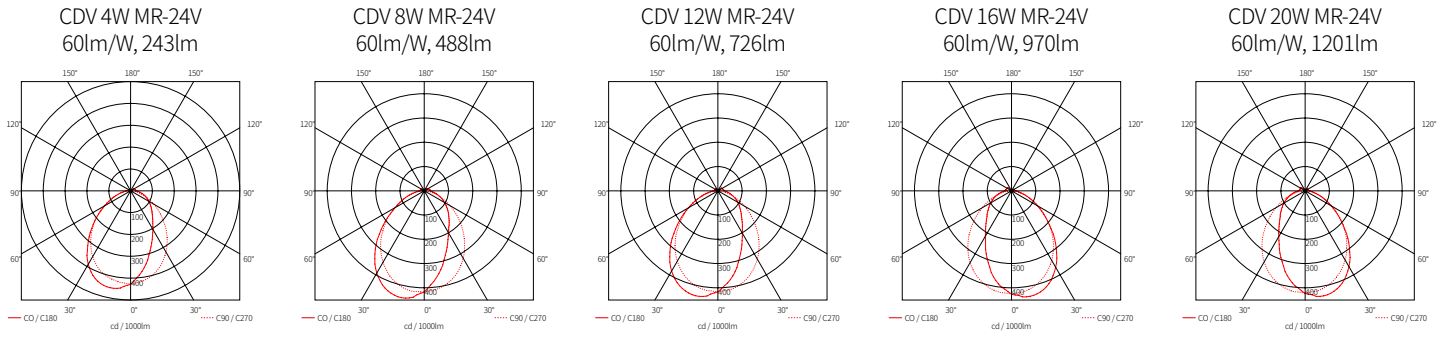


CDV 16W 40K-24V
115 lm/W, 2000 lm

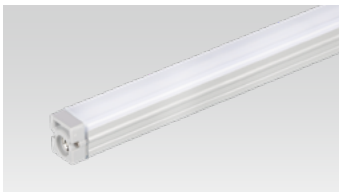


CDV 20W 40K-24V
115 lm/W, 2480 lm

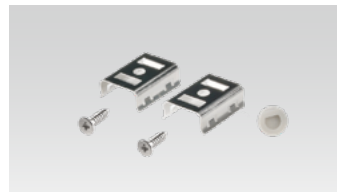




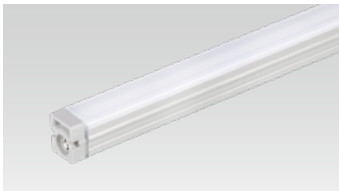
COMPONENTS



- FLX Stix CDV**
- ___ CDV4-(color)K-24V (4W)
 - ___ CDV8-(color)K-24V (8W)
 - ___ CDV12-(color)K-24V (12W)
 - ___ CDV16-(color)K-24V (16W)
 - ___ CDV20-(color)K-24V(20W)



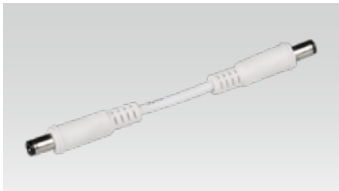
- Mounting Bracket Standard (End cap included)**
- ___ CDV-BRACKET
 - Included in fixture



- FLX Stix CDV**
- ___ CDV4-MR-24V (4W)
 - ___ CDV8-MR-24V (8W)
 - ___ CDV12-MR-24V (12W)
 - ___ CDV16-MR-24V (16W)
 - ___ CDV20-MR-24V(20W)



- Mounting Magnet Bracket (Optional)**
- ___ CDV-BRACKET-M



- Connecting Cable**
- ___ CDVPTC 150mm
 - ___ CDVPTC 300mm
 - ___ CDVPTC 600mm



- LED Driver**
- ___ FLC200-24V/T (200W)
 - IP 67 rating



- Direct connector**
- ___ CDVCPL



- LED Driver**
- ___ FLC75-24V/T (75W)



- Power Cable**
- ___ CDVPC 1,800mm



- Open Power Cable(Standard type)**
- ___ CDVOPC 1,800mm



- Open Power cable (Vertical type)**
- ___ CDVOPC-V 1,800mm