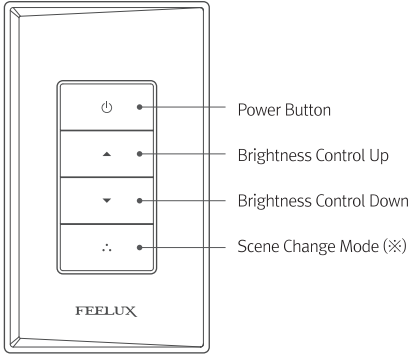
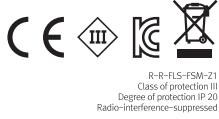
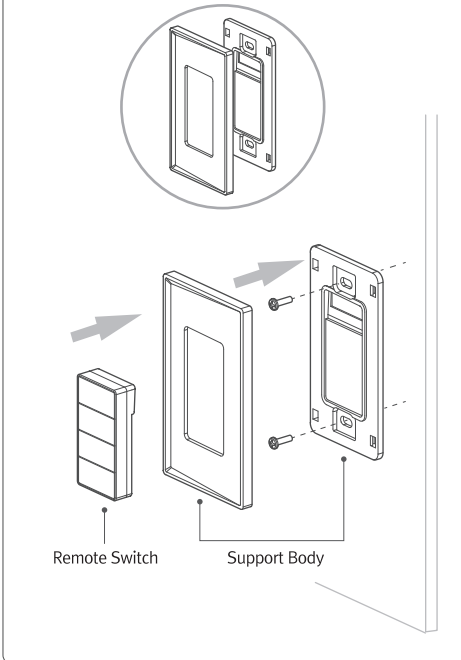


# Remote Switch

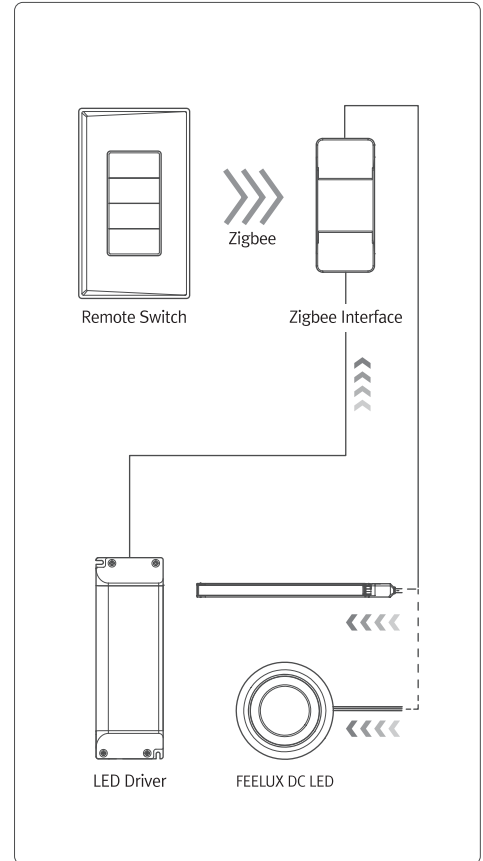


## Installation

Detach the Remote Switch and support body like as shown in the picture.  
Screw backside of the detached support body onto the wall.



## Connection



## Pairing mode

**1** LED Driver with Zigbee Interface.

**3** If you take the Remote Switch near Zigbee Interface, the connected LED will continue to blink.

⚠ If the Zigbee Interface is not connected properly or if the LED does not blink, refer to the Interface manual for initialization.

## How to use

To change old batteries, unscrew the back of the Remote Switch and insert battery (CR2032) correctly (+ & -).

**2** To activate pairing mode press the pairing button on the back of Remote Switch until LED light comes on.

⚠ Pairing mode will be cancelled if no action is taken in 30 seconds.

**4** Select the LED you want to pair, then press the power button to complete the pairing.

⚠ If the lighting product flashes 3 times, the pairing is completed.

	MODEL	FSM-Z1
	INPUT	DC 3V(CR 2032)
	SIGNAL	ZIGBEE 2.4GHz

**caution**

1. Do not touch with wet hand.
2. Do not give a shock to this product.
3. Do not disassemble or remodel this product.

⊗

Interface

- 1 Button ON : Scene Change Mode is available
- 1 Button OFF : Scene Change Mode is unavailable