

MonoRail Spot Pro

LED for Display, Cabinet, Furniture

High Output MonoRail Spot System

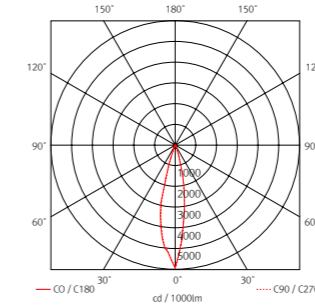


- Super slim track lighting system with spot
- Pendant suspension option with H track
- Compatible and linkable with MonoRail system
- Slide and Swivel High Output LED Spotlight
- Suitable for furniture and interior design
- Simple Plug & Play connection to the power track
- Available in Black, White
- With constant voltage DC 24V driver
- Double joint head available for 6W spot

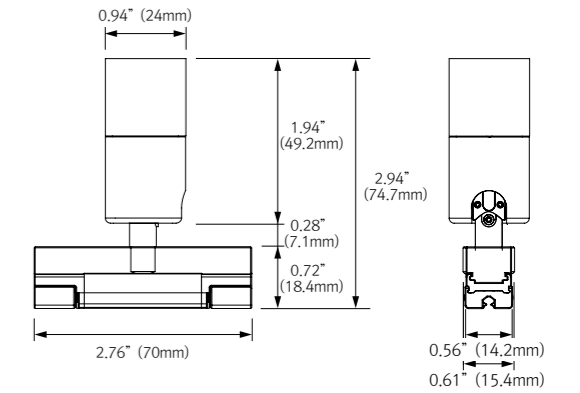




MonoRail Spot Pro 3W



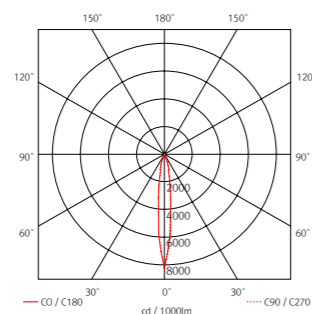
Dimension



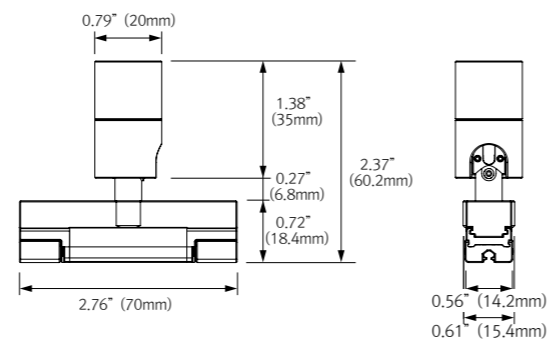
Specification

Model Name	Power Input	Lamp Power	Luminous Flux	Efficiency	Color Rendering	Available Color	Beam Angle	Operating Temperature
MSP3 40K-24V-BK-28	DC 24V	2.6 W	254 lm	98 lm/W	CRI > 90	2,700K/3,000K/ 3,500K/4,000K	28°, 40°, 50°	0 ~ 45°C

MonoRail Spot Pro 1W



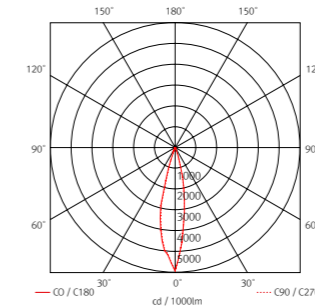
Dimension



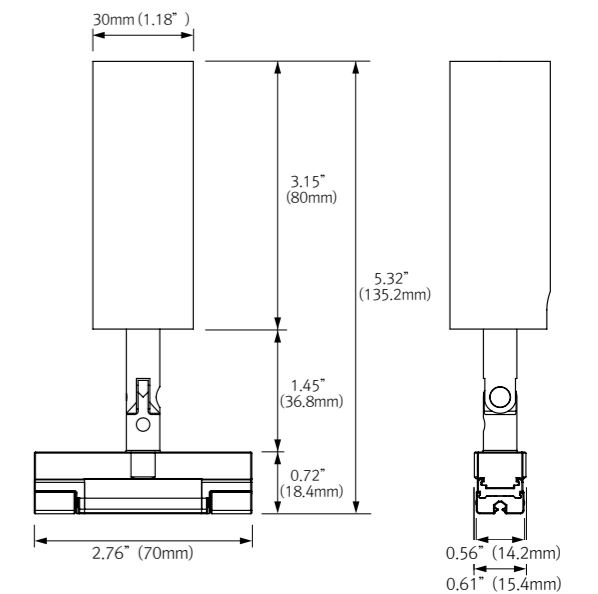
Specification

Model Name	Power Input	Lamp Power	Luminous Flux	Efficiency	Color Rendering	Available Color	Beam Angle	Operating Temperature
MSP1 40K-24V-BK-15	DC 24V	1.3 W	91 lm	70 lm/W	CRI > 90	2,700K/3,000K/ 3,500K/4,000K	15°, 35°	0 ~ 45°C

MonoRail Spot Pro 6W (Double joint)



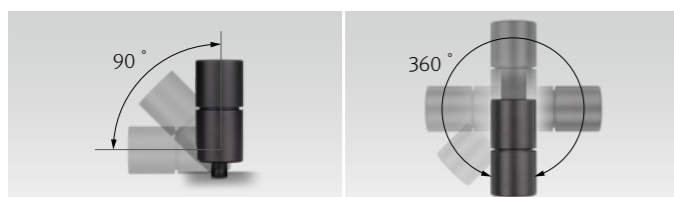
Dimension



Specification

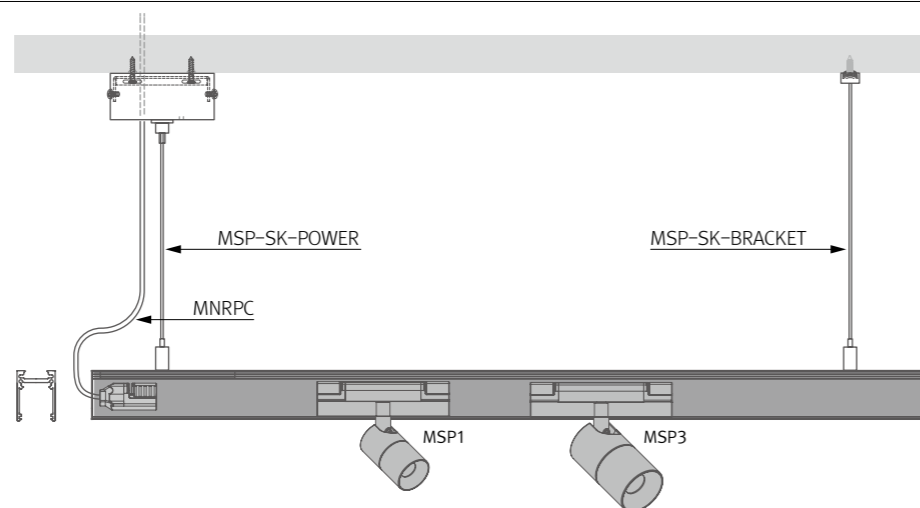
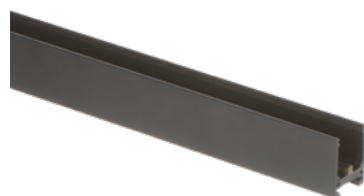
Model Name	Power Input	Lamp Power	Luminous Flux	Efficiency	Color Rendering	Available Color	Beam Angle	Operating Temperature
MSP6 40K-24V-BK-25	DC 24V	5.6 W	394 lm	70 lm/W	CRI > 90	2,700K/3,000K/ 3,500K/4,000K	25°, 38°, 50°	0 ~ 45°C

Various options

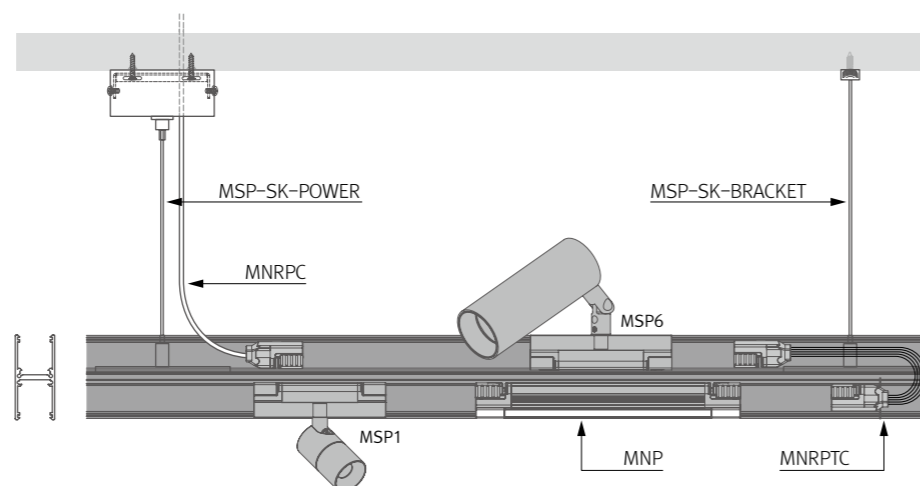
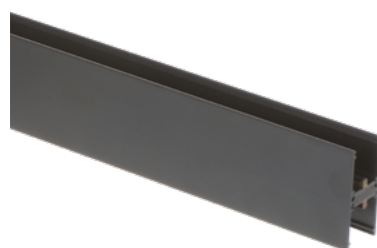


INSTALLATION

* MSP SURFACE TRACK



* MSP H TRACK



Accessories

a) MonoRail Spot Pro 1W

MSP1 40K-24V-BK-15
MSP1 40K-24V-BK-35

b) MonoRail Spot Pro 3W

MSP3 40K-24V-BK-28
MSP3 40K-24V-BK-40
MSP3 40K-24V-BK-50

c) MonoRail Spot Pro 6W (Double Joint)

MSP6 40K-24V-BK-25
MSP6 40K-24V-BK-38
MSP6 40K-24V-BK-50

d) Power supply cable to the MNR-Rail : MNRPC (2,500mm)

120W in one row (w/ terminal block)
180W in one row (w/o terminal block)
* Available Color : White, Black

e) Connecting cable between MNR-Rail

MNRPTC	MNRPTC1	MNRPTC2	MNRPTC4	MNRPTC6
150mm(6inch)	300mm(1feet)	600mm(1feet)	1200mm(4feet)	1800mm(6feet)

* Available Color : White, Black

f) LED Driver with 12way distributor, with power cord (1,800mm)

Part No	FLC30-24V/T	FLC75-24V-P/T
Capacity	30W 24V	75W 24V

g) LED Driver : FLC200-24V/T (200W, DC24V)

LED Driver With 12way distributor

h) Dimming Interface (1-10V) : FDC-L10

Max. 100W (100W/CH, 1CH)

i) Dimming Interface (0-10/1-10V, DMX512)

FDA-L2M0 : Max. 200W (100W/CH, 2CH)
FDA-L5M : Max. 200W (50W/CH, 5CH)

j) Dimming Interface (Dail): FDD-L1DA

Max. 200W (100W/CH, 1CH)

k) MSP Surface Track (1,200mm)

	With MNR-Rail Track
White	Black
MSP-EXH-WT	MSP-EXH-BK

l) MSP H Track (1,200mm)

	With MNR-Rail Track
White	Black
MSP-EXH-WT	MSP-EXH-BK

Accessories for MonoRail Spot Pro Pendant

m) Pendant Suspension Power Kit : MSP-SK-POWER

* Available Color : Black, White

n) Pendant Suspension Bracket : MSP-SK-BRACKET

* Available Color : Black, White

