

## MonoRail Showcase Arm

LED for Showcase and Display

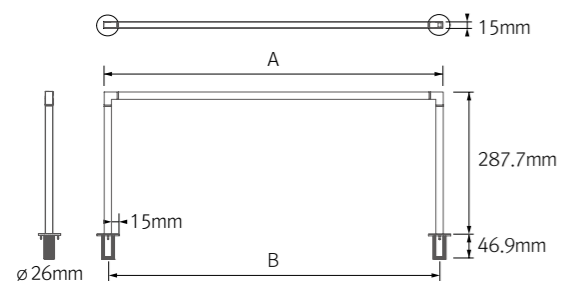
Rotatable Arm for MonoRail Pro and Spot



- Sleek aluminum body with rotating top bar
- Easy assembly with MonoRail Pro(MNP) and Spot(MRS)
- Various length available
- Ideal for showcase , exhibit, museum design
- Dimmable



### Dimensions

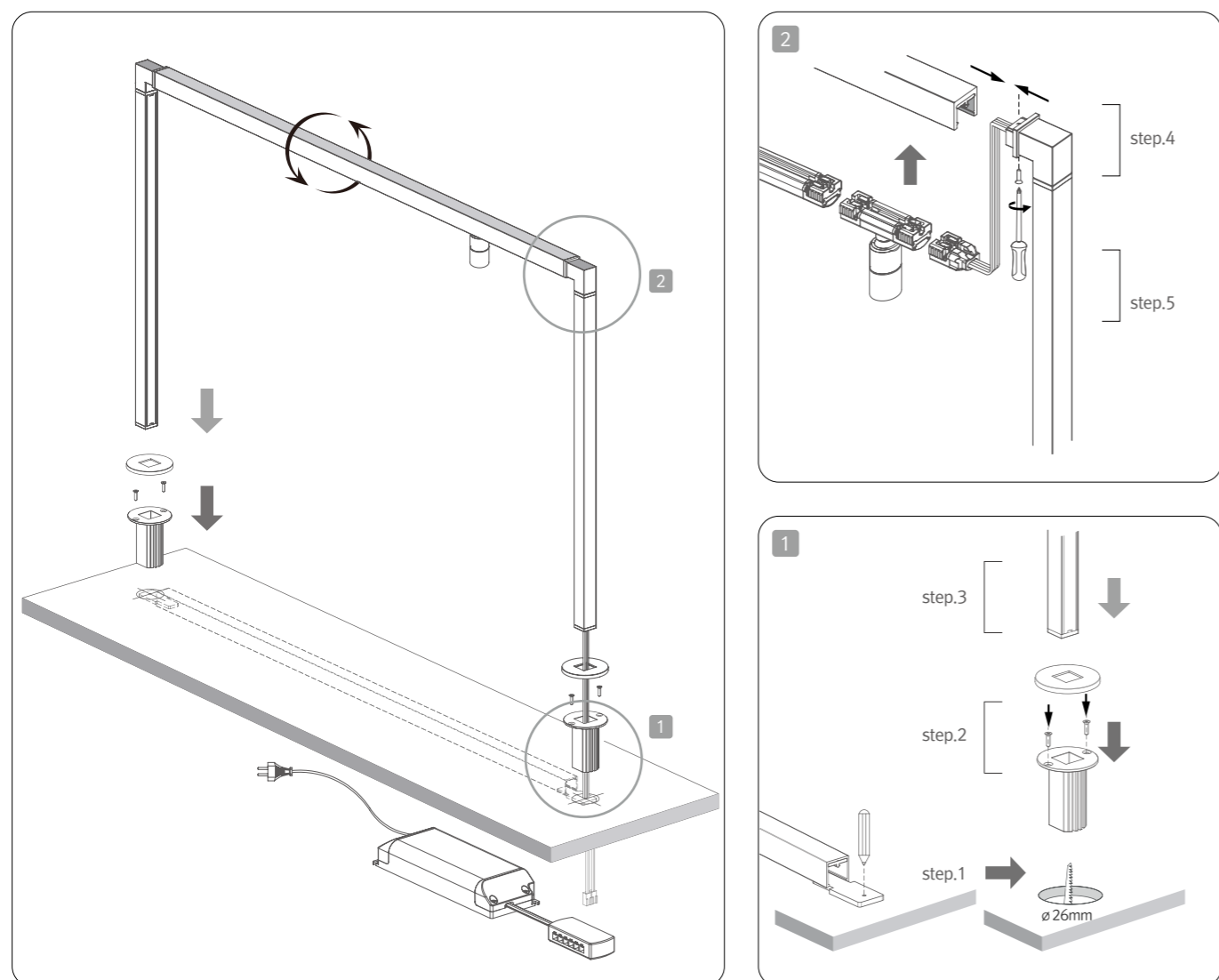


Available with	Lamp Power	Lumens (4000K)	Beam Angle	A (Top Length)	B (Recommended Distance for Mounting Holes)
MRS1 40K-24V-BK	1W	95 lm	15°, 35°	15.6" (396.5mm)	15" (381mm)
MNP1 40K-24V-BK	1W	113 lm	-	26.6" (676.5mm)	26" (661mm)
MNP4 40K-24V-BK	4W	362 lm		37.6" (955.5mm)	37" (940mm)
MNP8 40K-24V-BK	8W	722 lm		48.6" (1234.5mm)	48" (1219mm)

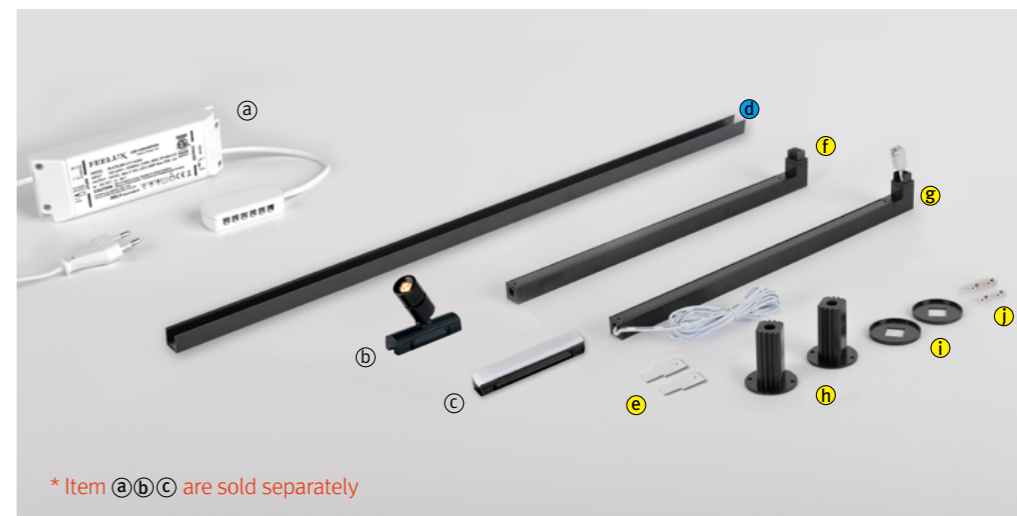
### Various options



### Installation



### Required Accessories



\* Item a b c are sold separately

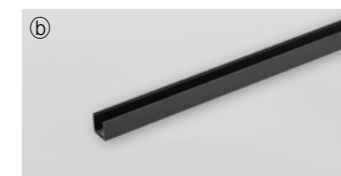
- a LED Driver
  - b MonoRail Spot
  - c MonoRail Pro
  - d Top Bar
  - e Hole guide
  - f Side Pole
  - g Power Pole
  - h Mounting Base
  - i Mounting Base Cover
  - j Screw
- MonoRail Showcase Arm Kit

### Accessories

a MonoRail Showcase Arm Kit  
MNR-SA-KIT



b MonoRail Showcase Arm Top Bar  
MNR4-SA-Kit-TB  
MNR7-SA-Kit-TB  
MNR11-SA-Kit-TB  
MNR15-SA-Kit-TB



c MonoRail Spot  
MRS1 (color)K-24V-BK-15  
MRS1 (color)K-24V-BK-35



d MonoRail Pro  
MNP1 (color)K-24V-BK  
MNP4 (color)K-24V-BK  
MNP8 (color)K-24V-BK



e LED Driver with 12way distributor, with power cord (1,800mm)

Part No	FLC30-24V/T	FLC75-24V-P/T
Capacity	30W 24V	75W 24V

