

MonoRail Showcase Arm

LED for Showcase and Display

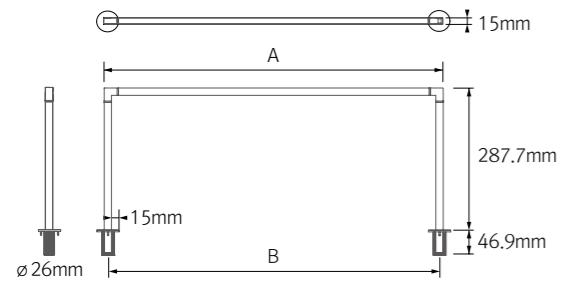
Rotatable Arm for MonoRail Pro and Spot



- Sleek aluminum body with rotating top bar
- Easy assembly with MonoRail Pro(MNP) and Spot(MRS)
- Various length available
- Ideal for showcase , exhibit, museum design
- Dimmable



Dimensions

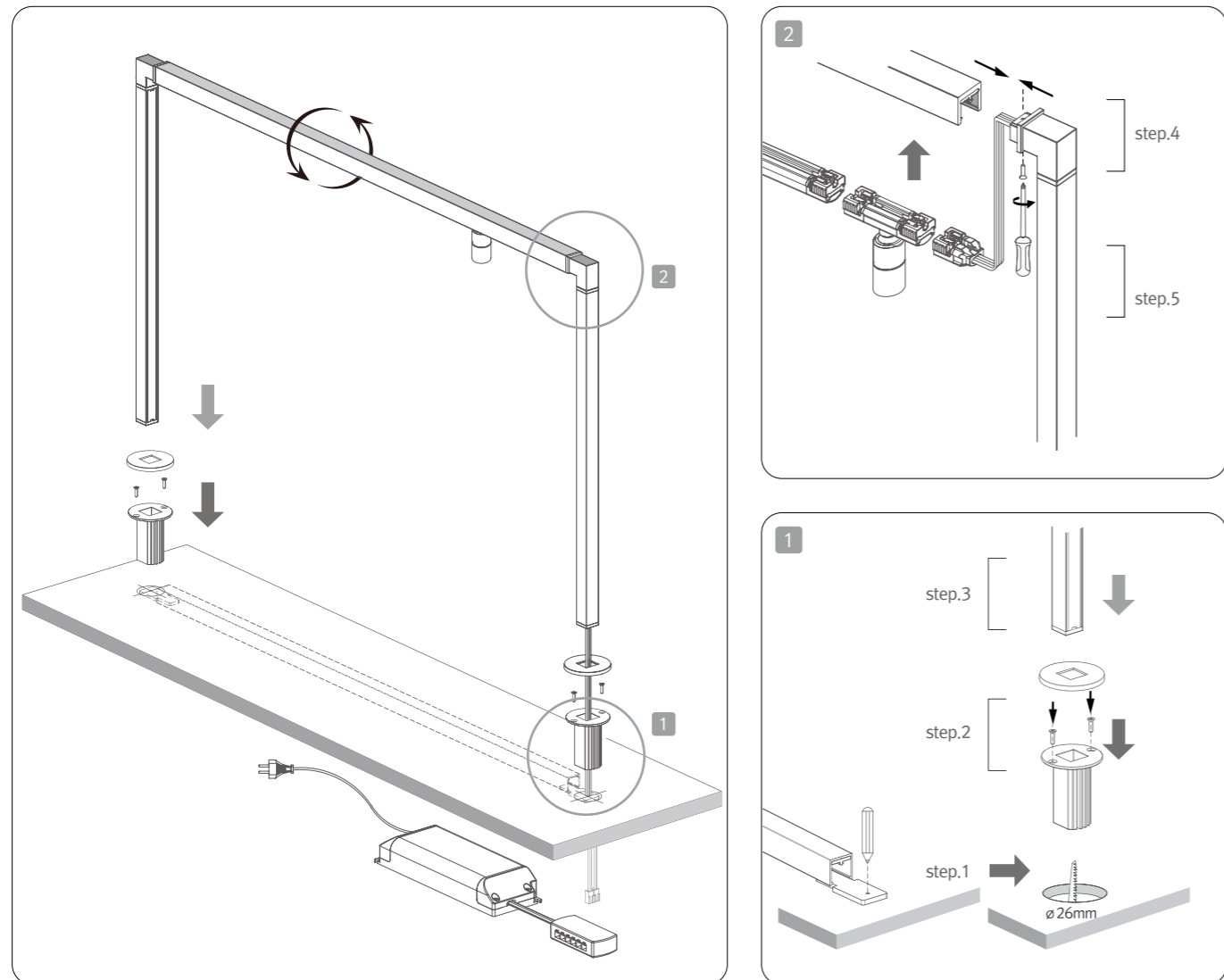


Available with	Lamp Power	Lumens (4000K)	Beam Angle	A (Top Length)	B (Recommended Distance for Mounting Holes)
MRS1 40K-24V-BK	1W	95 lm	15°, 35°	15.6" (396.5mm)	15" (381mm)
MNP1 40K-24V-BK	1W	113 lm	-	26.6" (676.5mm)	26" (661mm)
MNP4 40K-24V-BK	4W	362 lm		37.6" (955.5mm)	37" (940mm)
MNP8 40K-24V-BK	8W	722 lm		48.6" (1234.5mm)	48" (1219mm)

Various options



Installation



Required Accessories



* Item (a)(b)(c) are sold separately

- (a) LED Driver
- (b) MonoRail Spot Pro
- (c) MonoRail Pro
- (d) Top Bar — MonoRail Showcase Arm Top Bar
- (e) Hole guide
- (f) Side Pole
- (g) Power Pole
- (h) Mounting Base
- (i) Mounting Base Cover
- (j) Screw

MonoRail Showcase Arm Kit

Accessories

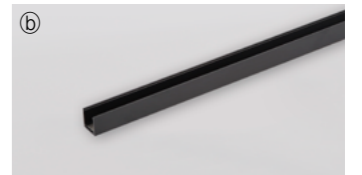
(a) MonoRail Showcase Arm Kit

MNR-SA-KIT



(b) MonoRail Showcase Arm Top Bar

MNR4-SA-Kit-TB
MNR7-SA-Kit-TB
MNR11-SA-Kit-TB
MNR15-SA-Kit-TB



(c) MonoRail Spot Pro

MSP1 (color)K-24V-BK-15
MSP1 (color)K-24V-BK-35



(d) MonoRail Pro

MNP1 (color)K-24V-BK
MNP4 (color)K-24V-BK
MNP8 (color)K-24V-BK



(e) LED Driver with 12way distributor, with power cord (1,800mm)

Part No	FLC30-24V/T	FLC75-24V-P/T
Capacity	30W 24V	75W 24V

