

## MonoRail Pro

LED for Display, Cabinet, Furniture

Display & Cove System for Long Runs!



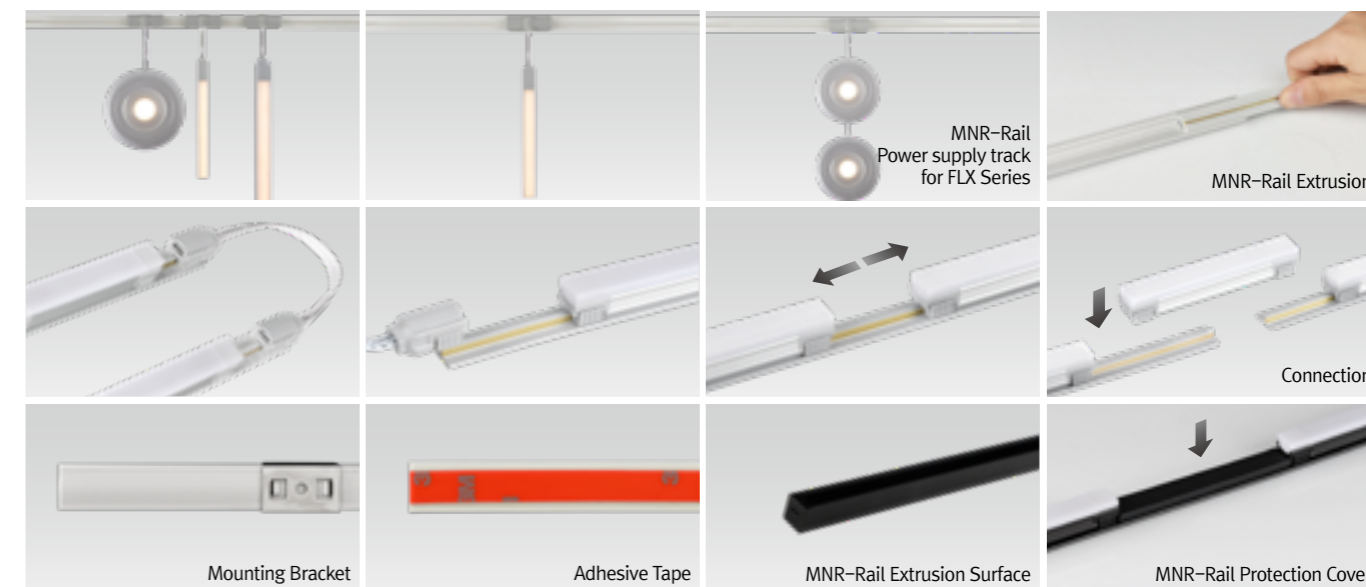
- Super Slim linear with power track
- Greatly extends the length of a run with a single power point
- Fixtures snaps onto power track with no breaks in light output
- Available in silver, black
- To be used with constant voltage DC 24V driver
- Dimmable with available accessories

Various color





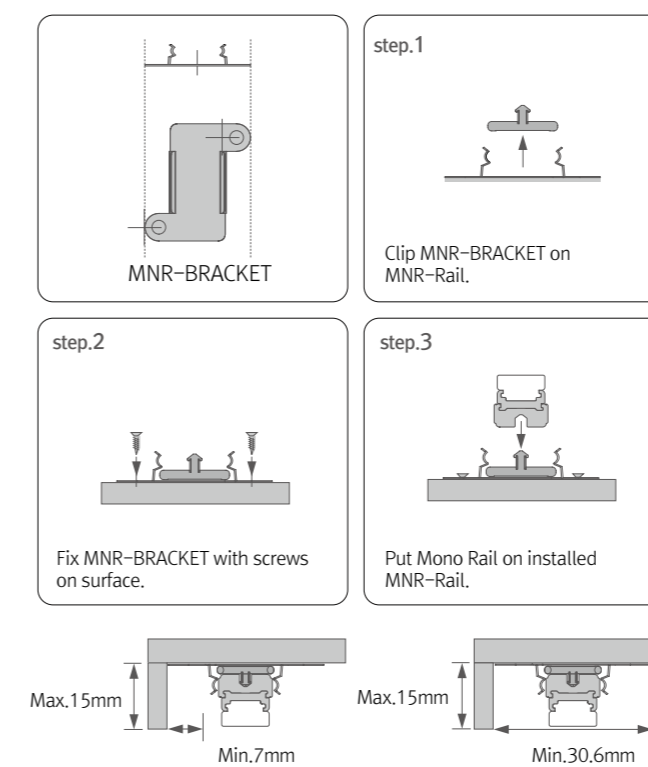
**Various options**



**MonoRail Pro**  
Display& Cove System for Long runs!



**Installation**



**Max. connection**

- MonoRail : 180W in one row (Single power feed)
- LED Driver

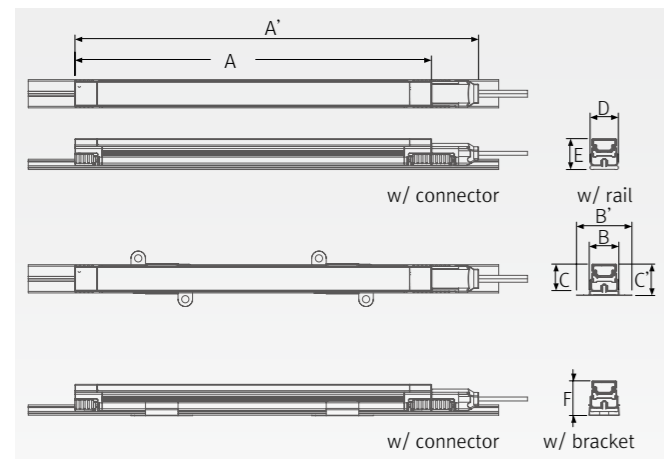
Model Name	Max. units for LED Driver		
	24V/30W	24V/75W	24V/200W
MNP1 40K-24V	21	53	114
MNP4 40K-24V	7	17	37
MNP8 40K-24V	3	9	18

## Specification

Model Name	Power Input	Lamp Power	Lumen	Efficiency	Color Rendering	Available Color	Operating Temperature
MNP1 40K-24V-C90	DC 24V	1.4 W	113 lm	79 lm/W	Ra > 90	2,700K/3,000K/3,500K/4,000K/5,700K	0 ~ 45°C
MNP4 40K-24V-C90	DC 24V	4.3 W	362 lm	84 lm/W	Ra > 90	2,700K/3,000K/3,500K/4,000K/5,700K	0 ~ 45°C
MNP8 40K-24V-C90	DC 24V	8.5 W	722 lm	85 lm/W	Ra > 90	2,700K/3,000K/3,500K/4,000K/5,700K	0 ~ 45°C

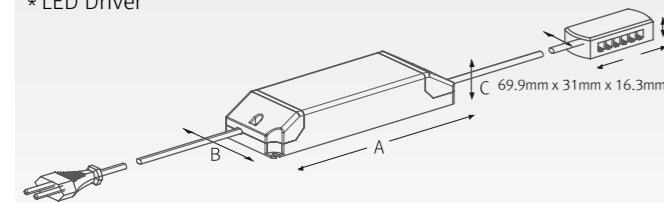
## Dimension

Model Name	Power Input (V)	Lamp Power (W)	A (mm)	A' (mm)	B (mm)	B' (mm)	C (mm)	C' (mm)	D (mm)	E (mm)	F (mm)
MNP1 40K-24V-C90	DC 24	1.4	95	121	15.3	30.6	14.8	17.4	15.6	17	19
MNP4 40K-24V-C90	DC 24	4.3	286	312	15.3	30.6	14.8	17.4	15.6	17	19
MNP8 40K-24V-C90	DC 24	8.5	572	598	15.3	30.6	14.8	17.4	15.6	17	19

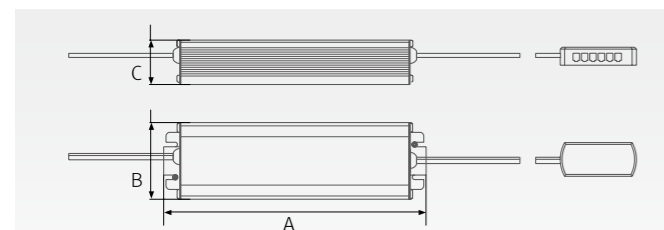


Model Name	A (mm)	B (mm)	C (mm)
FLC30-24V/T	150	41	31
FLC75-24V-P/T	180	60	32

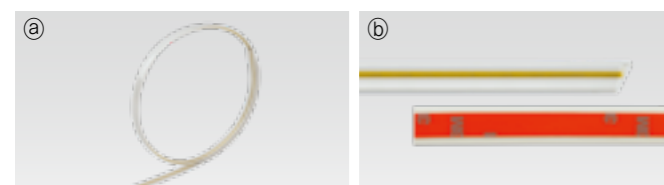
### \* LED Driver



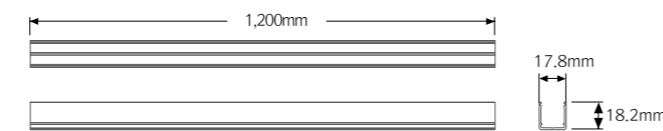
Model Name	A (mm)	B (mm)	C (mm)
FLC200-24V/T	228	68	39



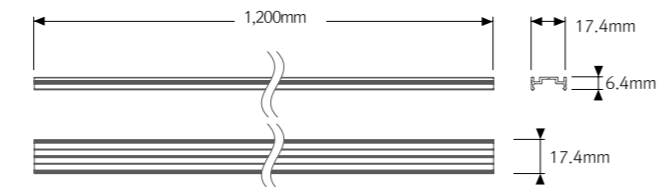
## Accessories



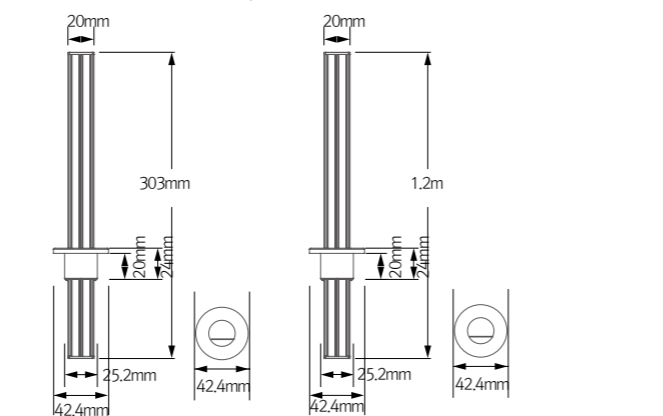
### \* MNR-Rail Extrusion Surface



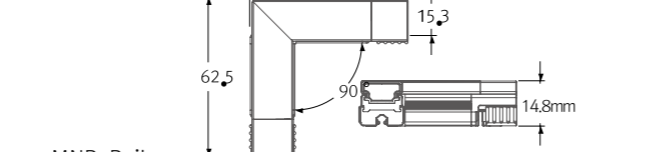
### \* MNR-Rail extrusion line



### \* MNR-Rail extrusion pole



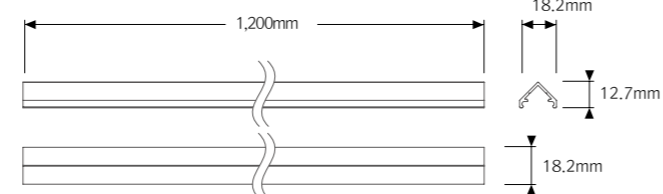
### \* 90° connector



### \* MNR-Rail



### \* MNR-Rail extrusion corner



### (a) Power supply track : MNR-Rail (20m)

Power supply track in Roll without adhesive  
Color : White, Gray, Black

### (b) Power supply track : MNR-Rail (1,200mm)

Power supply track with adhesive tape  
Color : White, Gray, Black

### (c) Adhesive tape

Adhesive tape for MNR-Rail (16.5 m)

### (d) Power supply cable to the MNR-Rail : MNRPC (2,500mm)

120W in one row (w/ terminal block)  
180W in one row (w/o terminal block)  
\* Available Color : Gray, Black

### (e) Connecting cable between MNR-Rail

MNRPTC	MNRPTC1	MNRPTC2	MNRPTC4	MNRPTC6
150mm(6inch)	300mm(1feet)	600mm(1feet)	1200mm(4feet)	1800mm(6feet)

\* Available Color : Gray, Black

### (f) Connecting cable between MNR-Rail and FLX Stix NDP : MNRPTC-NDP

MNRPTC-NDP1	MNRPTC-NDP2
300mm(1feet)	600mm(2feet)

\* Available Color : Gray, Black

### (g) Connecting cable between MNR-Rail and FLX Stix NDV : MNRPTC-NDV

MNRPTC-NDV1	MNRPTC-NDV2
300mm(1feet)	600mm(2feet)

\* Available Color : Gray, Black

### (h) Connecting cable between MNR-Rail and FLX Stix HDP : MNRPTC-HDP

MNRPTC-HDP1	MNRPTC-HDP2
300mm(1feet)	600mm(2feet)

\* Available Color : Gray, Black

### (i) Connecting cable between MNR-Rail and FLX Stix HDV&DDV : MNRPTC-HDV

MNRPTC-HDV1	MNRPTC-HDV2
300mm(1feet)	600mm(2feet)

\* Available Color : Gray, Black

### (j) Connecting cable between MNR-Rail and FLX Spot DVS : MNRPTC-DVS

MNRPTC-DVS1	MNRPTC-DVS2
300mm(1feet)	600mm(2feet)

\* Available Color : Gray, Black

### (k) Sidefeed for seamless extension (1W) : MNP1 40K-24V-C90-S

120W in one row  
90° connector : MNP1 40K-24V-C90-90

MonoRail90° connector (1W)  
120W in one row

### (l) End cap : MNR-CAP Color : White, Gray, Black

### (m) Fixture Remover : MNP-REMOVER

### (n) Bracket : MNR-BRACKET (standard)

### (o) Bracket : MNR-BRACKET1 (optional)

MNR-Rail Extrusion Surface (1,200mm)	Without MNR-Rail
Silver	Black
MNR-EXS-SV	MNR-EXS-BK

MNR-Rail Extrusion Line (1,200mm)	Without MNR-Rail
Silver	Black
MNR-EXL-SV	MNR-EXL-BK

MNR-Rail Extrusion Corner (1,200mm)	Without MNR-Rail
Silver	Black
MNR-EXC-SV	MNR-EXC-BK

MNR-Rail Extrusion Pole (300mm/1,200mm)	With MNR-Rail
Silver	Black
MNR-EXP-SV	MNR-EXP-BK

### (p) MNR-Rail protection cover : MNR-Rail Cover Color : White, Gray, Black

### (q) LED Driver with 12way distributor, with power cord (1,800mm)

Part No	FLC30-24V/T	FLC75-24V-P/T
Capacity	30W 24V	75W 24V

### (r) LED Driver : FLC200-24V/T (200W, DC24V)

LED Driver With 12way distributor

### (s) Dimming Interface (1-10V) : FDC-L10

Max. 100W (100W/CH, 1CH)

### (t) Dimming Interface (0-10/1-10V, DMX512)

FDA-L2M0 : Max. 200W (100W/CH, 2CH)  
FDA-L5M : Max. 200W (50W/CH, 5CH)

### (u) Dimming Interface (Dial) : FDD-L1DA

Max. 200W (100W/CH, 1CH)

