

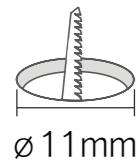
**FLX Micro POLE**

LED For Furniture, Showcase, Museum

## Micro Pole Light



- Miniature lighting for furniture, showcase, museum
- Super slim design
- Adjustable pole length, Rotatable head
- Constant voltage DC 24V driver
- Available in black (Special order option: gold, silver)
- Various beam angles (18°, 32°, 46°)
- Dimmable



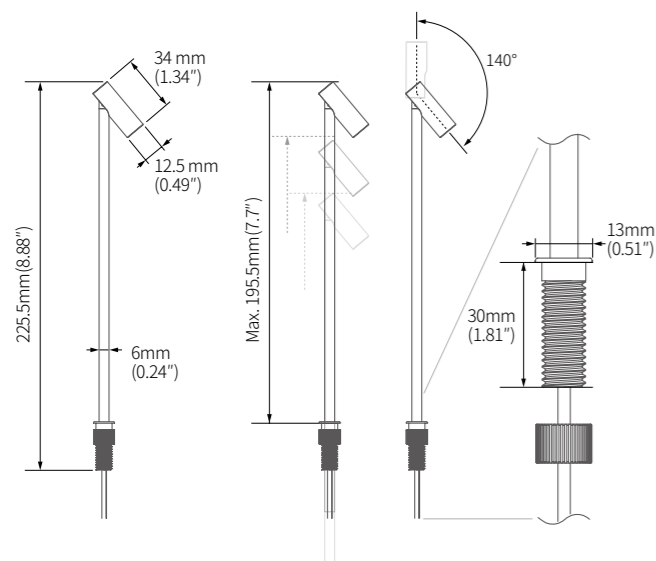


**Specification**

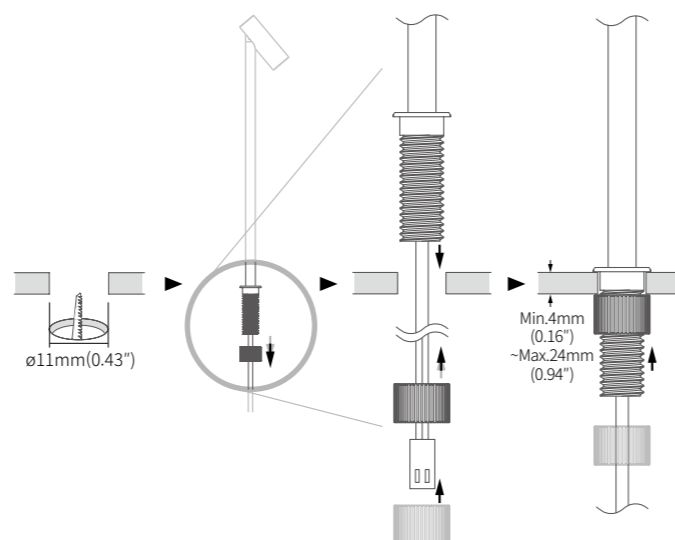
\*Based on 3000K

Model Name	Power Input	Lamp Power	Luminous Flux	Lumen/W	Color Rendering	Color Temperature	Beam Angle	Operating Temperature
MCR-PL1 30K-24V-18-BK	DC 24V	1.2 W	60 lm	49 lm/W	CRI > 90	3000K	18°	0-45° C
MCR-PL1 30K-24V-32-BK	DC 24V	1.2 W	91 lm	75 lm/W	CRI > 90	3000K	32°	0-45° C
MCR-PL1 30K-24V-46-BK	DC 24V	1.2 W	79 lm	65 lm/W	CRI > 90	3000K	46°	0-45° C

**Dimension**



**Installation**



**Accessories**

**a) FLX Micro POLE**

MCR-PL1 30K-24V-18-BK  
MCR-PL1 30K-24V-32-BK  
MCR-PL1 30K-24V-46-BK



**b) 12Port Hub**

D12P-HUB  
Included with Cord and Plug drivers. Order separately for Hard Wire or 3rd Party Drivers



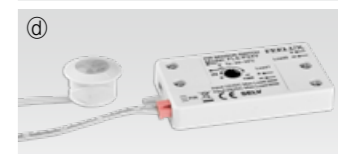
**c) Door and motion detection sensor (DC) : FLS-M24V**

Voltage : DC 24V



**d) Human-body detection sensor (DC) : FLS-P24V**

Voltage : DC 24V



**e) LED Driver with 12way distributor, with power cord (1,800mm)**

Part No	FLC30-24V/T	FLC75-24V-P/T
Capacity	30W 24V	75W 24V



**f) Dimming Interface (1-10V) : FDC-L10**

Max. 100W (100W/CH, 1CH)



**g) Dimming Interface (0-10/1-10,DMX512)**

FDA-L2M0 : Max. 200W (100W/CH, 2CH)  
FDA-L5M : Max. 200W (50W/CH, 5CH)



**h) Dimming Interface (Dail) : FDD-L1DA**

Max. 200W (100W/CH, 1CH)



**i) Dimming Interface (Zigbee)**

FDD-L2Z : Max. 200W (100W/CH, 2CH)



**1) Switch (Zigbee)**

FSM-Z1 : Wireless Control

