

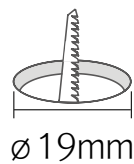
FLX Micro POINT

LED For Furniture, Showcase, Museum

Micro Point Light



- Miniature lighting for furniture, showcase, museum
- Super slim design
- Rotatable head
- Constant voltage DC 24V driver
- Available in black (Special order option: gold, silver)
- Various beam angles (18°, 32°, 46°)
- Dimmable



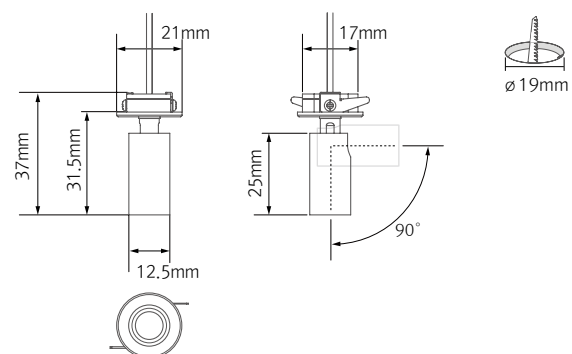


Specification

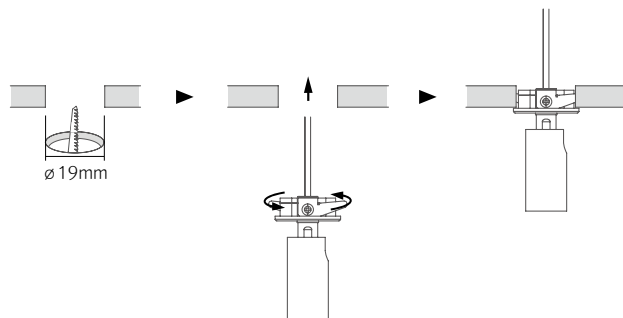
*Based on 3000K

Model Name	Power Input	Lamp Power	Luminous Flux	Lumen/W	Color Rendering	Color Temperature	Beam Angle	Operating Temperature
MCR-PT1 30K-24V-18-BK	DC 24V	1.2 W	60 lm	49 lm/W	CRI > 90	3000K	18°	0-45° C
MCR-PT1 30K-24V-32-BK	DC 24V	1.2 W	91 lm	75 lm/W	CRI > 90	3000K	32°	0-45° C
MCR-PT1 30K-24V-46-BK	DC 24V	1.2 W	79 lm	65 lm/W	CRI > 90	3000K	46°	0-45° C

Dimension



Installation



Accessories

Ⓐ FLX Micro POINT

MCR-PT1 30K-24V-18-BK
MCR-PT1 30K-24V-32-BK
MCR-PT1 30K-24V-46-BK



Ⓑ 12Port Hub

D12P-HUB
Included with Cord and Plug drivers. Order separately for Hard Wire or 3rd Party Drivers



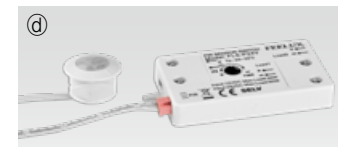
Ⓒ Door and motion detection sensor (DC) : FLS-M24V

Voltage : DC 24V



Ⓓ Human-body detection sensor (DC) : FLS-P24V

Voltage : DC 24V



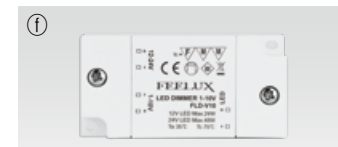
Ⓔ LED Driver with 12way distributor, with power cord (1,800mm)

Part No	FLC30-24V/T	FLC75-24V-P/T
Capacity	30W 24V	75W 24V



Ⓕ Dimming Interface (1-10V) : FDC-L10

Max. 100W (100W/CH, 1CH)



Ⓖ Dimming Interface (0-10/1-10,DMX512)

FDA-L2M0 : Max. 200W (100W/CH, 2CH)
FDA-L5M : Max. 200W (50W/CH, 5CH)



Ⓗ Dimming Interface (Dail) : FDD-L1DA

Max. 200W (100W/CH, 1CH)



Ⓘ Dimming Interface (Zigbee)

FDD-L2Z : Max. 200W (100W/CH, 2CH)



Ⓛ Switch (Zigbee)

FSM-Z1 : Wireless Control

