

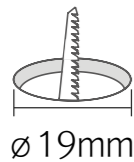
**FLX Micro POINT**

LED For Furniture, Showcase, Museum

## Micro Point Light



- Miniature lighting for furniture, showcase, museum
- Super slim design
- Rotatable head
- Constant voltage DC 24V driver
- Available in black (Special order option: gold, silver)
- Various beam angles (15°, 30°)
- Dimmable



ø 19mm



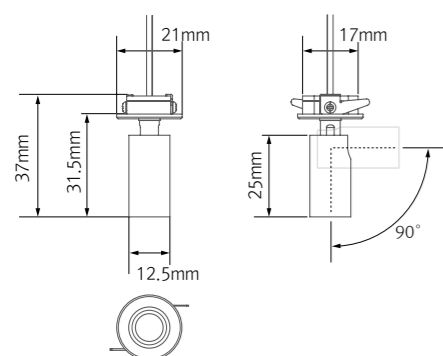


**Specification**

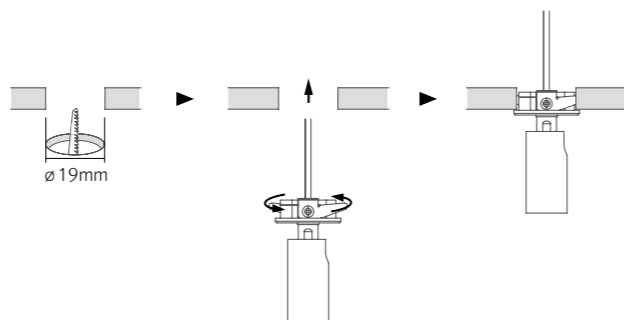
\*Based on 3000K

Model Name	Power Input	Lamp Power	Luminous Flux	Lumen/W	Color Rendering	Color Temperature	Beam Angle	Operating Temperature
MCR-PT1 30K-24V-30-BK	DC 24V	1.2 W	78 lm	65 lm/W	CRI > 90	3000K	30°	0-45 °C

**Dimension**



**Installation**



**Accessories**

**Ⓐ FLX Micro POINT**

MCR-PT1 30K-24V-15-BK  
MCR-PT1 30K-24V-30-BK



**Ⓑ 12Port Hub**

D12P-HUB  
Included with Cord and Plug drivers. Order separately for Hard Wire or 3rd Party Drivers



**Ⓒ Door and motion detection sensor (DC) : FLS-M24V**

Voltage : DC 24V



**Ⓓ Human-body detection sensor (DC) : FLS-P24V**

Voltage : DC 24V



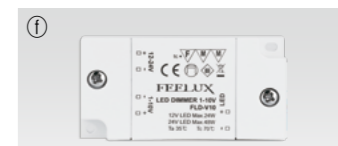
**Ⓔ LED Driver with 12way distributor, with power cord (1,800mm)**

Part No	FLC30-24V/T	FLC75-24V-P/T
Capacity	30W 24V	75W 24V



**Ⓕ Dimming Interface (1-10V) : FDC-L10**

Max. 100W (100W/CH, 1CH)



**Ⓖ Dimming Interface (0-10/1-10,DMX512)**

FDA-L2M0 : Max. 200W (100W/CH, 2CH)  
FDA-L5M : Max. 200W (50W/CH, 5CH)



**Ⓗ Dimming Interface (Dail) : FDD-L1DA**

Max. 200W (100W/CH, 1CH)



**Ⓘ Dimming Interface (Zigbee)**

FDD-L2Z : Max. 200W (100W/CH, 2CH)



**Ⓛ Switch (Zigbee)**

FSM-Z1 : Wireless Control

