

## LuxFeel Interior Line

Express your space elegantly with LIL

High output Grazer with Multiple Beam Angles



- Indoor & Outdoor Application
- Versatile: Fitting shop, Hotel, Facades
- IP 67: Water resistance and suitable for outdoor use
- Adjustable product: Various Beam angle options
- Rotatable product to be adjusted conveniently
- High color rendering
- Various length available

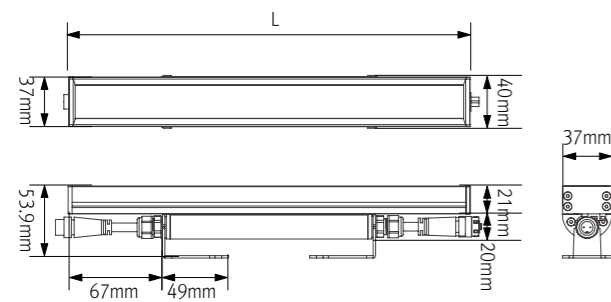




**Specification**

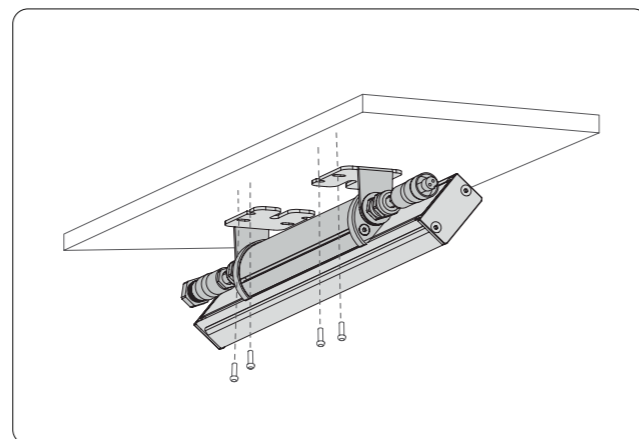
Model Name	Power Input	Lamp power	Lumens	Efficiency	Color Rendering	Available color	Beam Angle	Operating Temperature	IP	Color
LIL30 30K-24V-C90	DC 24V	12 W	920 lm	80 lm/W	Ra > 90	3,000K 4,000K	10 x 60° 30°, 40°	0 ~ 45°C	IP67	Black White
LIL60 30K-24V-C90		24 W	1,900 lm							
LIL90 30K-24V-C90		36 W	2,900 lm							
LIL120 30K-24V-C90		48 W	3,700 lm							

**Dimension**

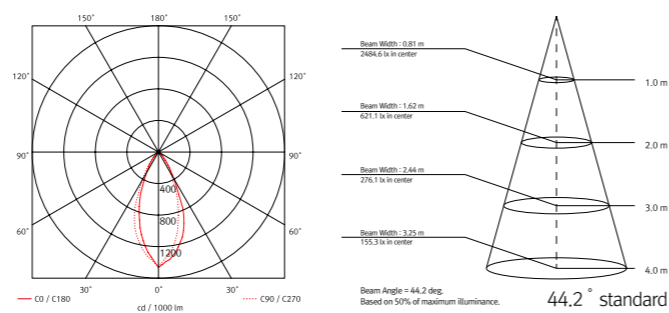


Model Name	L (Length/mm)
LIL30 30K-24V-C90	300
LIL60 30K-24V-C90	600
LIL90 30K-24V-C90	900
LIL120 30K-24V-C90	1,200

**Installation**



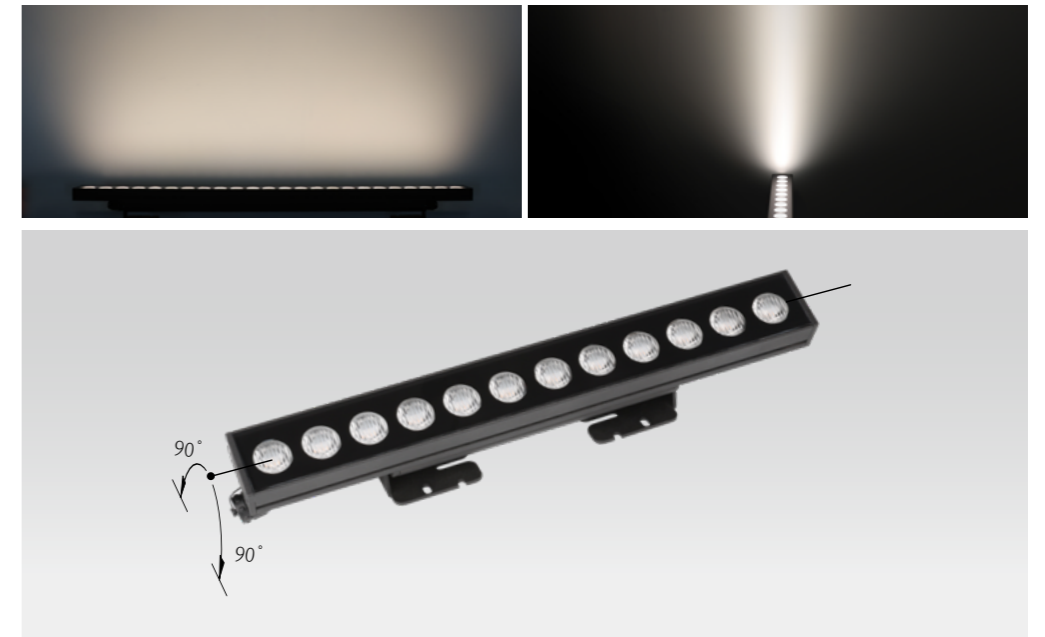
**Photometric data**



**Notice**

- Max. connection : 100W in one row (single power feed)

**Light output**



**Accessories**

**a) Open Power cable : LILOPC (2,500mm)**

\* Available Color : Black, White



**b) Connecting cable : LILPTC**

LILPTC (150mm)      LILPTC4 (1,200mm)  
LILPTC1 (300mm)      LILPTC6 (1,800mm)  
LILPTC2 (600mm)



**c) LED Driver with 12way distributor with power cord (1,800mm)**

Part NO	FLC30-24V/T	FLC75-24V-P/T
Capacity	30W 24V	75W 24V



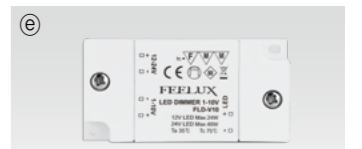
**d) LED Driver : FLC200-24V/T (200W DC24V)**

LED Driver With 12way distributor



**e) Dimming Interface (1-10V) : FDC-L10**

Max. 100W (100W/CH, 1CH)



**f) Dimming Interface (0-10/1-10, DMX512)**

FDA-L2M0 : Max. 200W (100W/CH, 2CH)  
FDA-L5M : Max. 200W (50W/CH, 5CH)



**g) Dimming Interface (Dali) : FDD-L1DA**

Max. 200W (100W/CH, 1CH)

