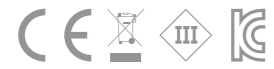


## FLXible LED Tape Tako

Flexible wall grazer effect

Flexible Luminaires with optic lens



- Flexible luminaire with optics
- Fully sealed with PU material for wet location
- IP67 rated for outdoor and indoor application
- Various beam angles (30°, 45°, 60°, 20x45°)
- 90+ CRI Standard
- Dimmable
- Available in Standard Lengths of 1,2,3,4,5M reels
- Field Cuttable (125mm) for customized length
- 18W per meter

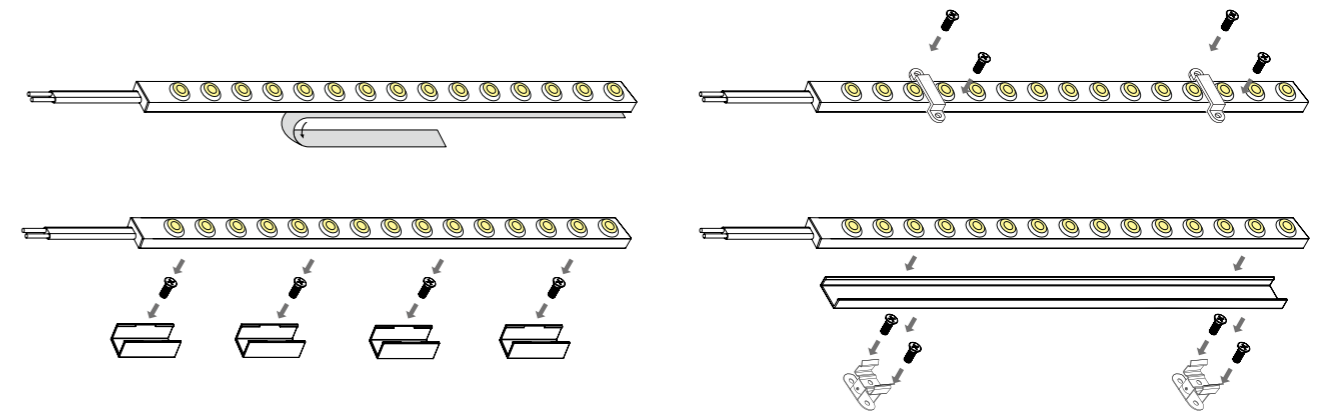




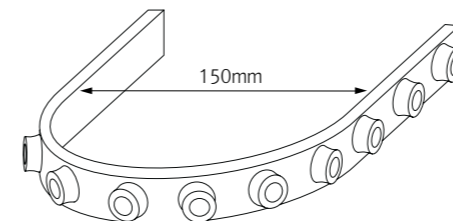
### Specification

Model Name	Power Input	Lamp power	Luminous Flux	Efficiency	Color Rendering	Available Color	Operating temperature	IP	Beam Angle	Material
FTT18 27K-24V-C90	DC 24V	18 W/m	1,554 lm/m	86 lm/W	Ra > 90	2,700 K	-25° C to 45° C	IP67	30°, 45°, 60°, 20x45°	PU
FTT18 30K-24V-C90			1,764 lm/m	90 lm/W		3,000 K				
FTT18 35K-24V-C90			1,525 lm/m	102 lm/W		3,500 K				
FTT18 40K-24V-C90			1,876 lm/m	104 lm/W		4,000 K				

### Installation

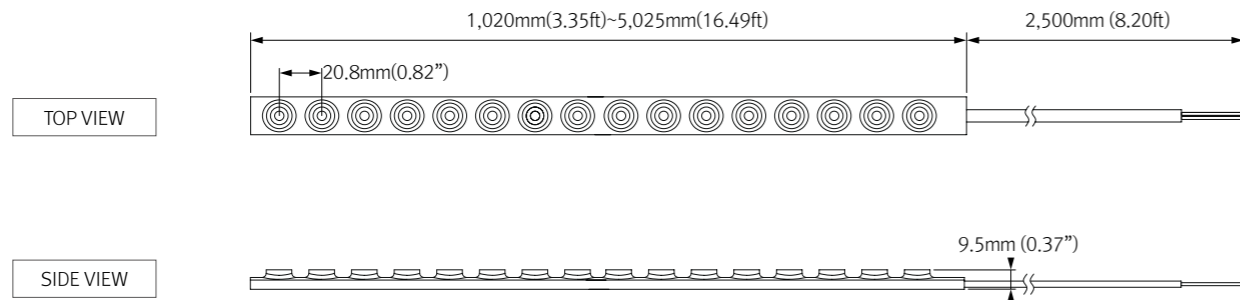


### Bending Diameter

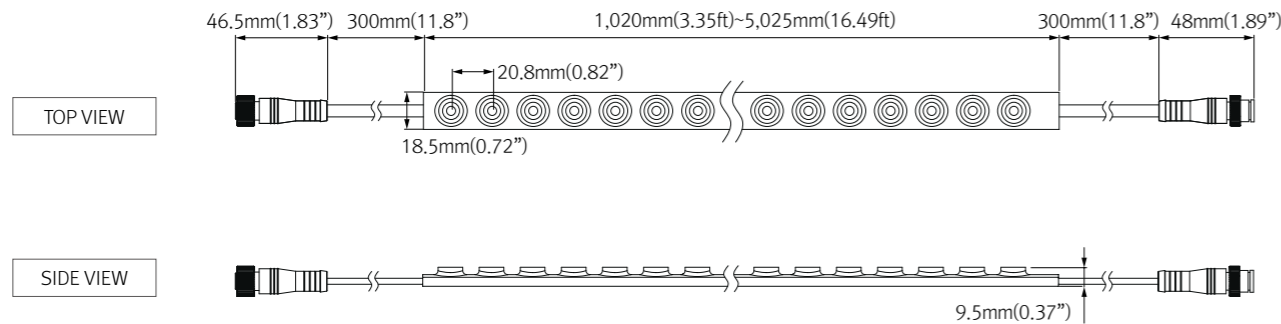


**Dimension**

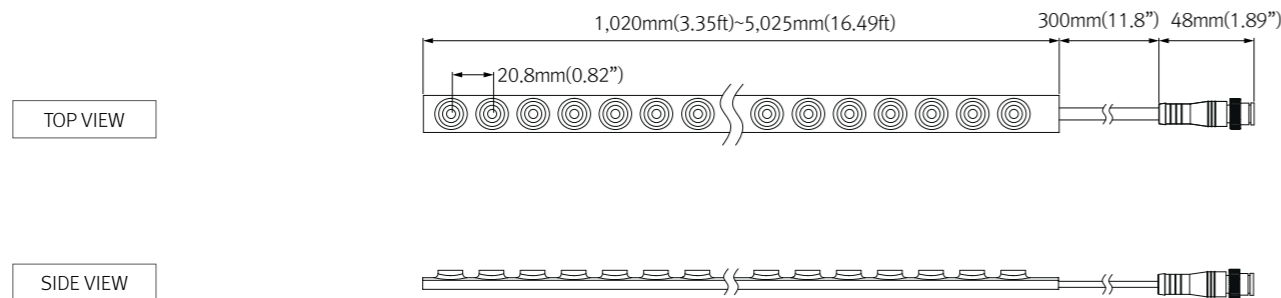
**OPC Type**



**Add-on Type**



**End Type**



**Accessories**

**a Flexible LED Tape Tako (OPC Type)**

- FTT18-40K-24V-C90 (1M)      FTT18-40K-24V-C90 (4M)
- FTT18-40K-24V-C90 (2M)      FTT18-40K-24V-C90 (5M)
- FTT18-40K-24V-C90 (3M)

**b Flexible LED Tape Tako (Add-on Type)**

- FTT18A-40K-24V-C90 (1M)      FTT18A-40K-24V-C90 (4M)
- FTT18A-40K-24V-C90 (2M)      FTT18A-40K-24V-C90 (5M)
- FTT18A-40K-24V-C90 (3M)

**c Flexible LED Tape Tako (End Type)**

- FTT18B-40K-24V-C90 (1M)      FTT18B-40K-24V-C90 (4M)
- FTT18B-40K-24V-C90 (2M)      FTT18B-40K-24V-C90 (5M)
- FTT18B-40K-24V-C90 (3M)

**d Power Cable**

- FTTPC (2,500mm)

**e Male and Female Connector**

- FTTPTC (150mm), FTTPTC1 (300mm), FTTPTC2 (600mm),
- FTTPTC4 (1,200mm), FTTPTC6 (1,800mm)

**f T-Type Connector**

- FTTPTC-T (200mm) / 2 way Female Connector

**g FTT Bracket**

- FTT-BRACKET1 (2pcs)

**h FTT Angle Bracket**

- FTT-BRACKET2 (2pcs)

**i FTT Strap**

- FTT-STRAP (10pcs + 20 screws)

**j FTP Extrusion Line**

- FTT-EXL(1M)

**k LED Driver with 12way distributor, with power cord (1,800mm)**

Part No	FLC30-24V/T	FLC75-24V-P/T
Capacity	30W 24V	75W 24V

**l LED Driver : FLC200-24V/T (200W DC24V)**

- LED Driver With 12way distributor

**m Dimming Interface (0-10V)**

- FDC-L10 : Max. 100W (100W/CH, 1CH)

**n Dimming Interface (0-10/1-10, DMX512)**

- FDA-L2M0 : Max. 200W (100W/CH, 2CH)

**o Dimming Interface (Dali)**

- FDD-L1DA : Max. 200W (100W/CH, 1CH)

**p Dimming Interface (Zigbee)**

- FDD-L2Z : Max. 200W (100W/CH, 2CH)

**q Switch (Zigbee)**

- FSM-Z1 : Wireless Control

**r END CAP**

- FTT-END CAP

