

FLXible Neon 2 Dual

Super Slim Flexible LED With Spot-free Output

Shift Your Mood with Flexibility



- Bend direction Vertically
- Ultra Slim spot free illumination
- Dimmable with 0-10V, Forward/Reverse Phase
- Indoor and Outdoor Application
- Field Cuttable (38.5mm) for customized length
- Available in Standard Lengths of 1, 2, 3, 4, 5M reels
- Tunable white





Specification

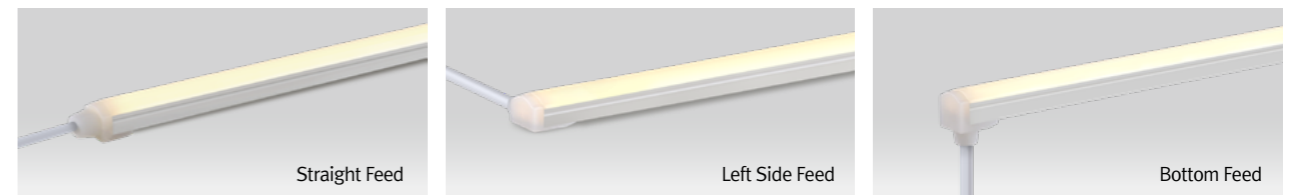
Model Number	Power Input	Lamp Power	Lumens	Color Temperature	Color Rendering	Operating Temperature
FN2 SC-24V-1M	DC 24V	12.5 W	700 lm	2,200K ~ 4,000K	Ra > 80	-10°C to 50°C
FN2 SC-24V-2M	DC 24V	12.5 W	1,400 lm	2,200K ~ 4,000K	Ra > 80	-10°C to 50°C
FN2 SC-24V-3M	DC 24V	12.5 W	2,100 lm	2,200K ~ 4,000K	Ra > 80	-10°C to 50°C
FN2 SC-24V-4M	DC 24V	12.5 W	2,800 lm	2,200K ~ 4,000K	Ra > 80	-10°C to 50°C
FN2 SC-24V-5M	DC 24V	12.5 W	3,500 lm	2,200K ~ 4,000K	Ra > 80	-10°C to 50°C

* IP Rate
 IP67 with Factory Termination (Customized Length Available)
 IP65 with Field Termination
 IP20 with Indoor Termination

Various options

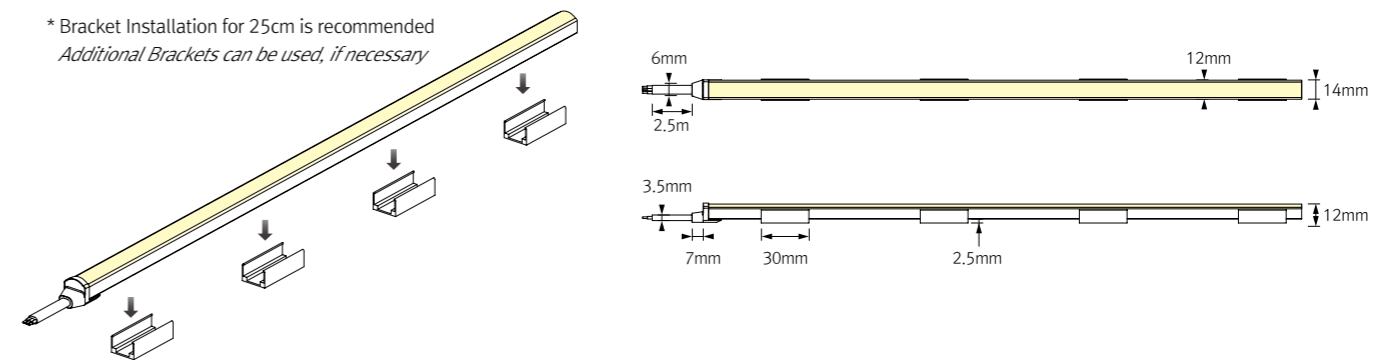


Powerfeed type

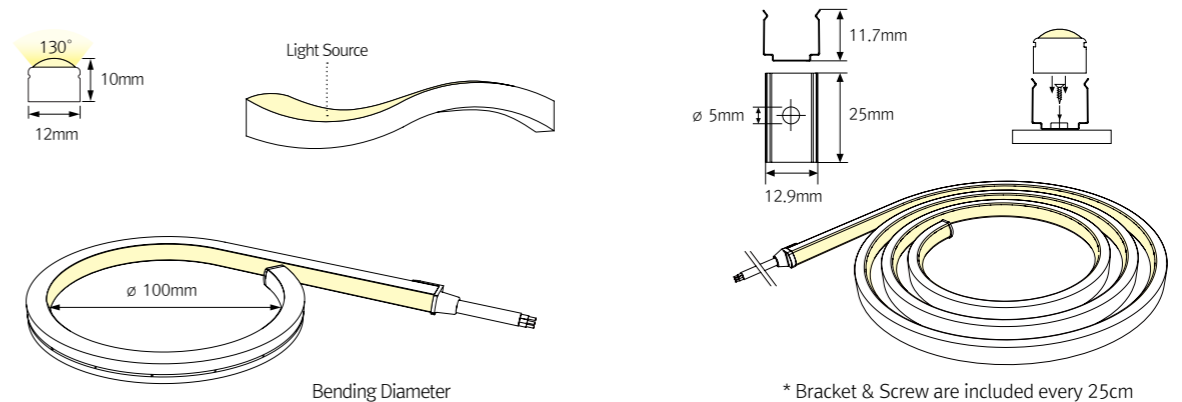


Installation

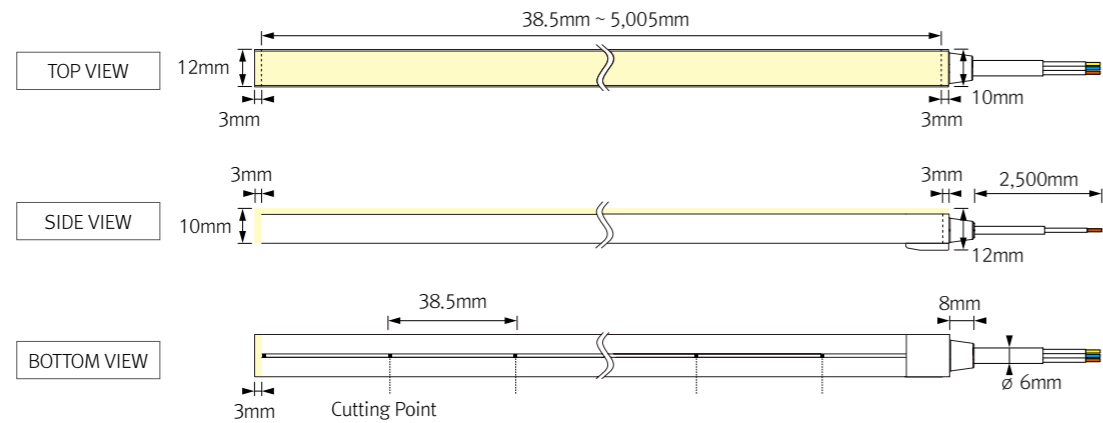
* Bracket Installation for 25cm is recommended
 Additional Brackets can be used, if necessary



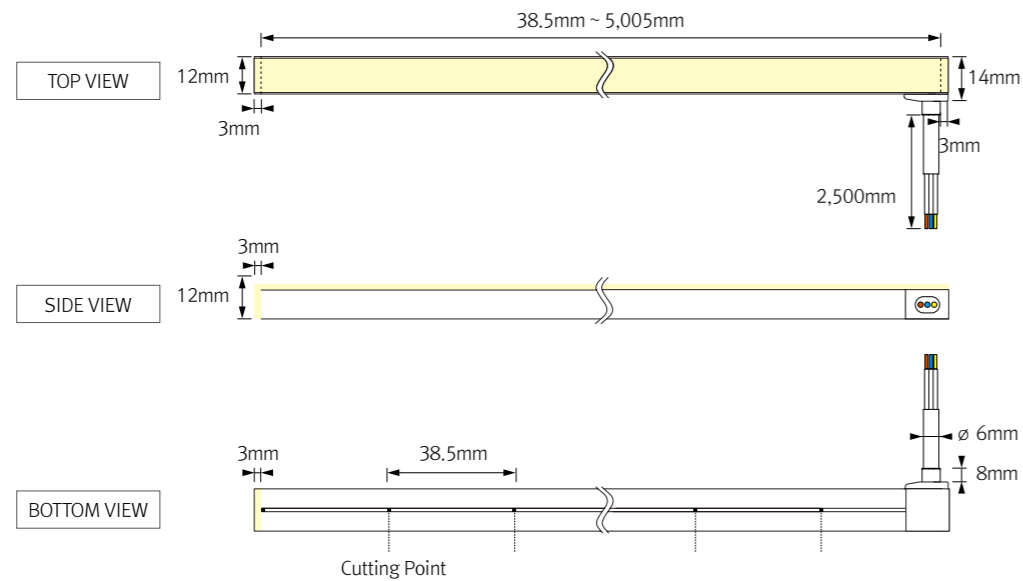
Physical specifications



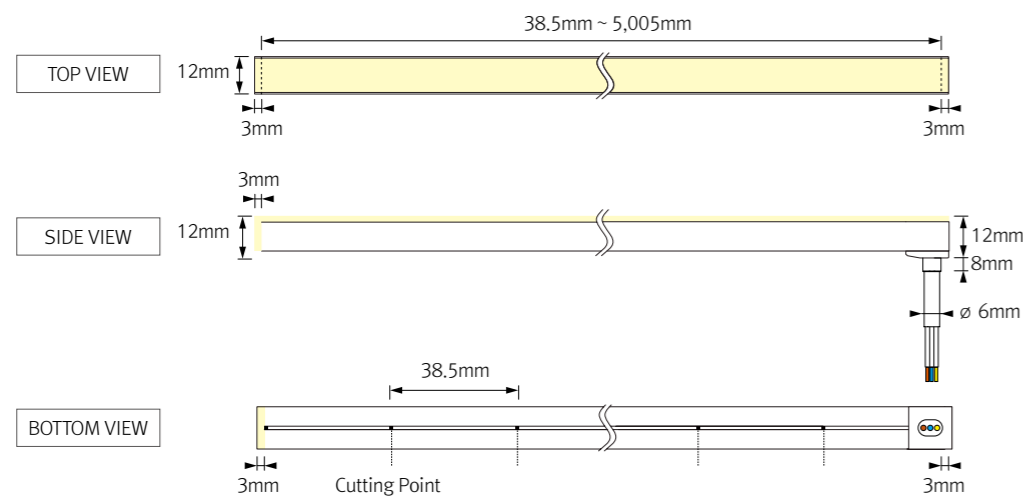
Straight Feed



Left Side Feed



Bottom feed



FLXible Neon can be cut every 38.5mm.
Please follow the cutting point mark to cut precisely as needed.

Accessories

Ⓐ FLXible Neon 2 (Customized Length Available)

- FN2 SC-24V (5m) FN2 SC-24V (2m)
- FN2 SC-24V (4m) FN2 SC-24V (1m)
- FN2 SC-24V (3m)

Ⓑ FLXible Neon 2 (Customized Length Available)

- FN2 SC-24V-LS (5m) FN2 SC-24V-LS (2m)
- FN2 SC-24V-LS (4m) FN2 SC-24V-LS (1m)
- FN2 SC-24V-LS (3m)

Ⓒ FLXible Neon 2 (Customized Length Available)

- FN2 SC-24V-BS (5m) FN2 SC-24V-BS (2m)
- FN2 SC-24V-BS (4m) FN2 SC-24V-BS (1m)
- FN2 SC-24V-BS (3m)

Ⓓ Mounting Brackets

- FN2-BRACKET1, 1set = 4pcs

Ⓔ FN2 Extrusion Line (1,200mm)

- FN2-EXL

Ⓕ Transparent Brackets

- FN2 - BRACKET1-T

Ⓖ Expanding Stick

- FN-EPS

Ⓗ Field Termination

- FN2-FTKIT-DUAL

Ⓘ LED Driver with 12way distributor, with power cord (1,800mm)

Part No	FLC30-24V/T	FLC75-24V-P/T
Capacity	30W 24V	75W 24V

⓷ LED Driver : FLC200-24V/T (200W, DC24V)

- LED Driver With 12way distributor

Ⓚ Dimming Interface (0-10/1-10, DMX512)

- FDA-L2M0 : Max. 200W (100W/CH, 2CH)
- FDA-L5M : Max. 200W (50W/CH, 5CH)

