

FLXible Neon 3D

Super Slim Flexible LED With Spot-free Output

Various Curve with FLXible Neon 3D

- Seamless Spot Free Illumination
- Bend Direction Horizontally and Vertically
- Indoor and Outdoor Application
- Field Cuttable (20.83mm)
- Available in Standard Lengths 5M Reels
- High Output
- Architectural contour lighting
- Dimmable

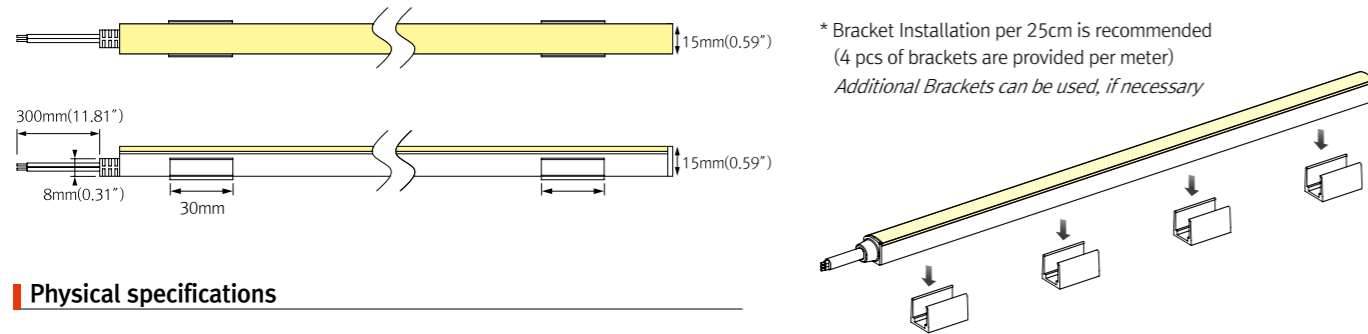




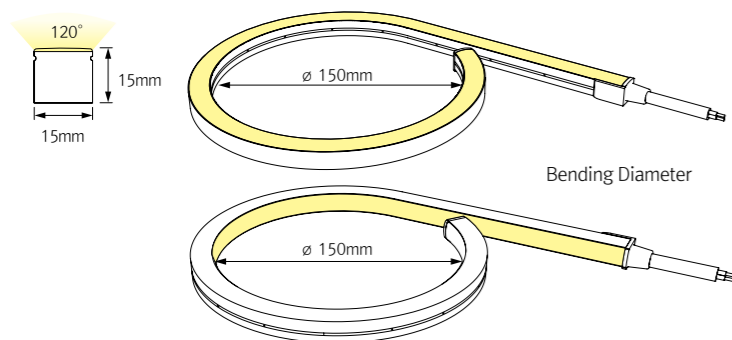
Specification

Model Number	Power Input	Lamp Power	Lumens	Color Temperature	Color Rendering	Operating Temperature	Material
FN3D 22K-24V-1M	DC 24V	14.4 W	936 lm	2,200K	Ra > 90	-10°C to 50°C	Silicon
FN3D 24K-24V-1M			936 lm	2,400K			
FN3D 27K-24V-1M			936 lm	2,700K			
FN3D 30K-24V-1M			936 lm	3,000K			
FN3D 35K-24V-1M			1001 lm	3,500K			
FN3D 40K-24V-1M			1001 lm	4,000K			

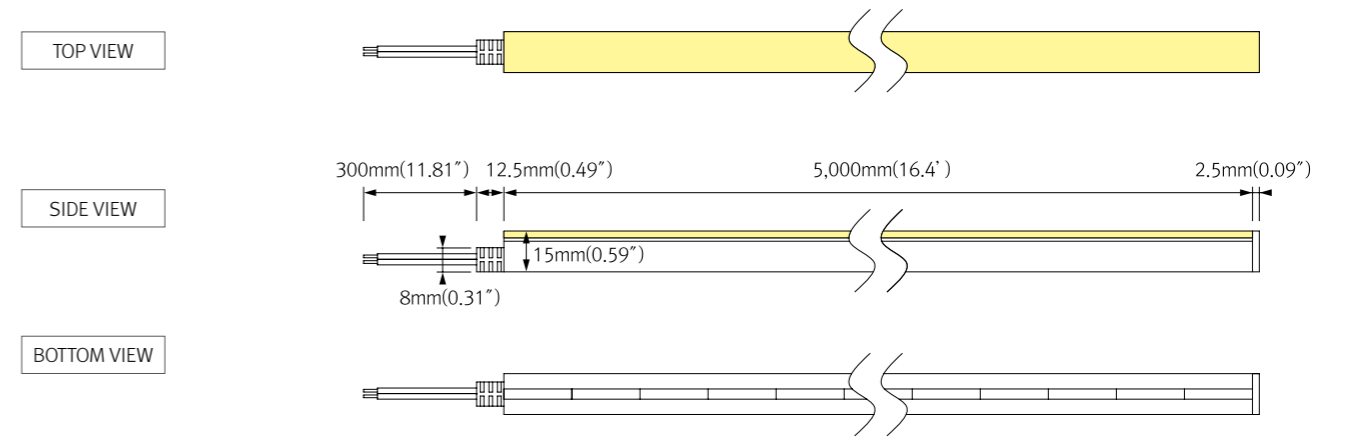
Installation



Physical specifications



Dimension



Accessories

- a) FLXible Neon 3D**
FN3D 40K-24V(5m) FN3D 40K-24V(2m)
FN3D 40K-24V(4m) FN3D 40K-24V(1m)
FN3D 40K-24V(3m)
- b) Mounting Brackets**
FN3D-BRACKET1, 1SET=4pcs
- c) FN3D Extrusion Line (1,000mm)**
FN3D-EXL
- d) End Cap**
FN3D-END CAP
- e) LED Driver with 12way distributor, with power cord (1,800mm)**
Part No FLC30-24V/T FLC75-24V-P/T
Capacity 30W 24V 75W 24V
- f) LED Driver : FLC200-24V/T (200W, DC24V)**
LED Driver with 12way distributor
- g) Dimming Interface (0-10 V) : FDC-L10**
Max. 100W (100W/CH, 1CH)
- h) Dimming Interface (0-10/1-10, DMX512)**
FDA-L2M0 : Max. 200W (100W/CH, 2CH)
FDA-L5M : Max. 200W (50W/CH, 5CH)
- i) Dimming Interface (Dail) : FDD-L1DA**
Max. 200W (100W/CH, 1CH)

