

FLXible Neon 2

Super Slim Flexible LED With Spot-free Output

Curve Perfection with FLXible Neon



- Bend direction Vertically
- Ultra Slim spot free illumination
- Dimmable with 0-10V, Forward/Reverse Phase
- Indoor and Outdoor Application
- Field Cuttable (38.5mm) for customized length
- Available in Standard Lengths of 1, 2, 3, 4, 5M reels



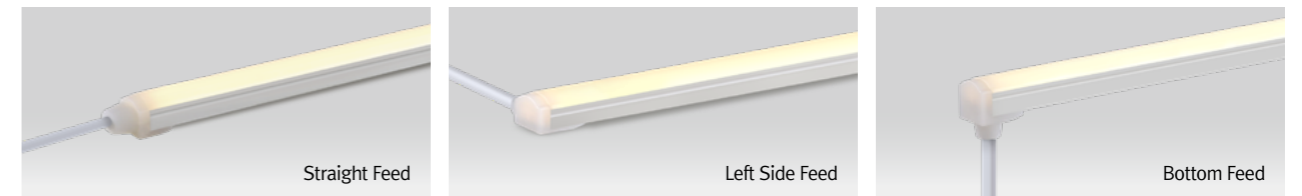


Specification

Model Number	Power Input	Lamp Power	Lumens/m	Color Temperature	Color Rendering	Operating Temperature
FN2 22K-24V-1M	DC 24V	12.5 W	653 lm	2,200K	Ra > 80	-10°C to 50°C
FN2 27K-24V-1M	DC 24V	12.5 W	702 lm	2,700K	Ra > 80	-10°C to 50°C
FN2 30K-24V-1M	DC 24V	12.5 W	709 lm	3,000K	Ra > 80	-10°C to 50°C
FN2 35K-24V-1M	DC 24V	12.5 W	837 lm	3,500K	Ra > 80	-10°C to 50°C
FN2 40K-24V-1M	DC 24V	12.5 W	837 lm	4,000K	Ra > 80	-10°C to 50°C

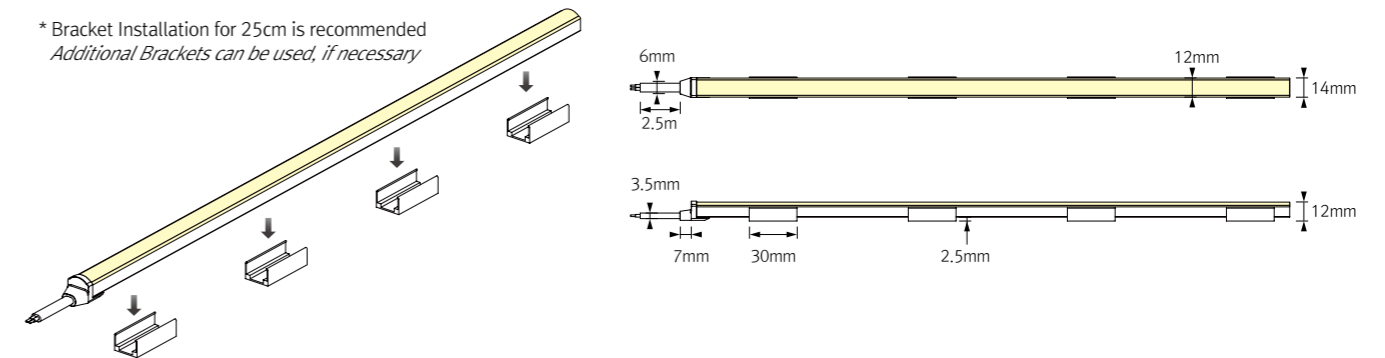
* IP Rate
 IP67 with Factory Termination (Customized Length Available)
 IP65 with Field Termination
 IP20 with Indoor Termination

Powerfeed type

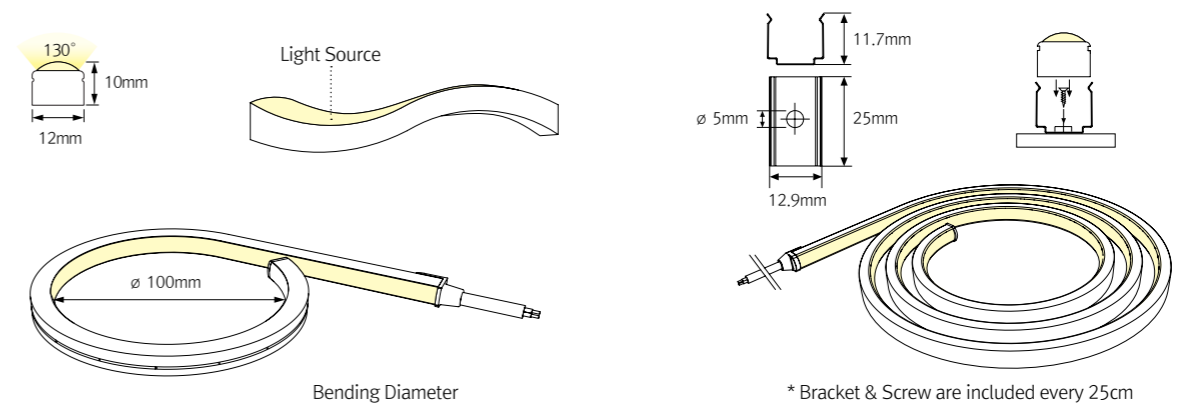


Installation

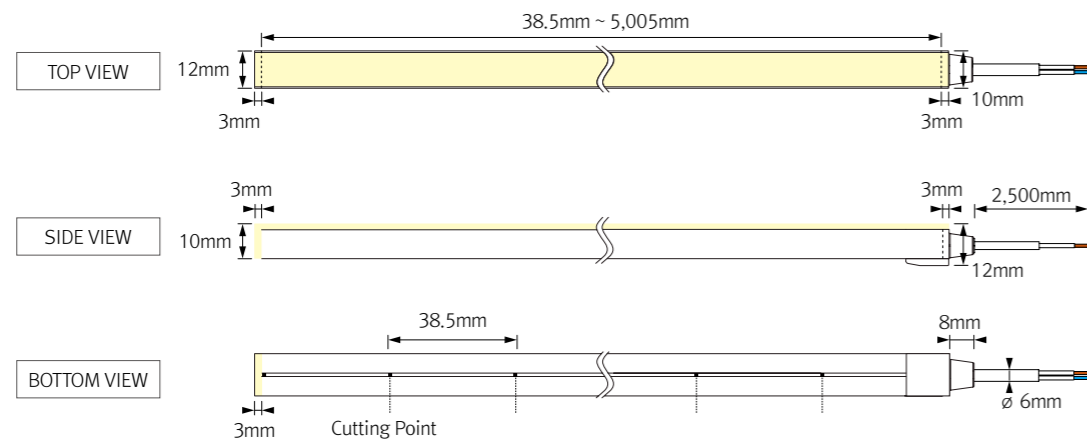
* Bracket Installation for 25cm is recommended
 Additional Brackets can be used, if necessary



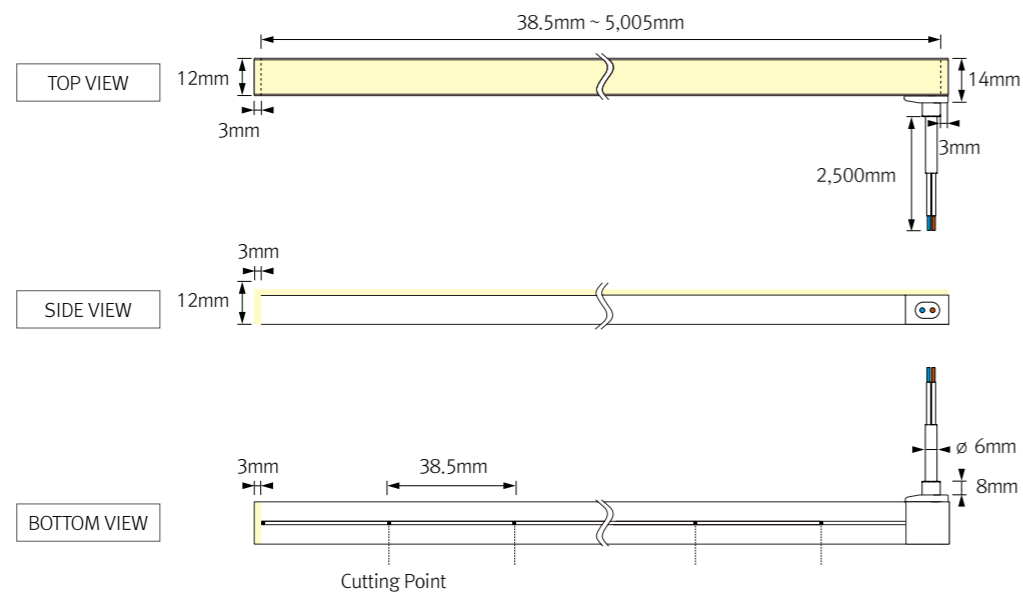
Physical specifications



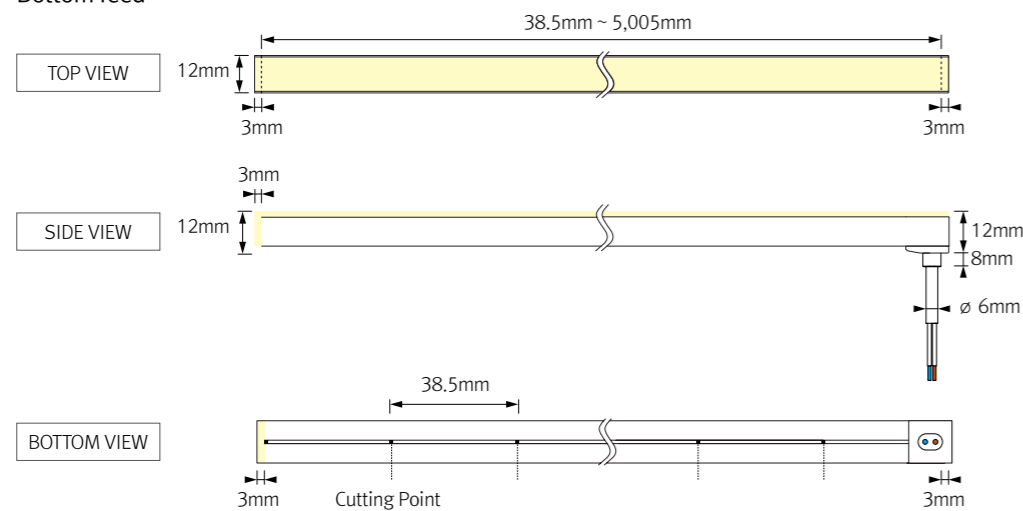
Straight Feed



Left Side Feed



Bottom feed



FLXible Neon can be cut every 38.5mm. Please follow the cutting point mark to cut precisely as needed.

Accessories

Ⓐ FLXible Neon 2 Straight Feed (Customized Length Available)

- FN2 40K-24V (5m) FN2 40K-24V (2m)
- FN2 40K-24V (4m) FN2 40K-24V (1m)
- FN2 40K-24V (3m)

Ⓑ FLXible Neon 2 Left Side Feed (Customized Length Available)

- FN2 40K-24V-LS (5m) FN2 40K-24V-LS (2m)
- FN2 40K-24V-LS (4m) FN2 40K-24V-LS (1m)
- FN2 40K-24V-LS (3m)

Ⓒ FLXible Neon 2 Bottom Feed (Customized Length Available)

- FN2 40K-24V-BS (5m) FN2 40K-24V-BS (2m)
- FN2 40K-24V-BS (4m) FN2 40K-24V-BS (1m)
- FN2 40K-24V-BS (3m)

Ⓓ Mounting Brackets

- FN2-BRACKET1, 1set = 4pcs

Ⓔ FN2 Extrusion Line (1,200mm)

- FN2-EXL

Ⓕ Transparent Brakets

- FN2 - BRACKET1-T

Ⓖ Expanding Stick

- FN-EPS

Ⓗ Indoor Power Cable (Max.62.5W)

- FN2-INPC (2,500mm) with END CAP

Ⓘ Indoor Power Cable Bottom Feed (Max.62.5W)

- FN2-INPC-BS (2,500mm) with END CAP

Ⓛ Indoor Direct Connector

- FN2-INCP

Ⓚ Indoor Connecting Cable

- FN2-INPTC (150mm) FN2-INPTC4 (1,200mm)
- FN2-INPTC1 (300mm) FN2-INPTC6 (1,800mm)
- FN2-INPTC2 (600mm)

Ⓛ Field Termination

- FN2-FTKIT

Ⓜ LED Driver with 12way distributor, with power cord (1,800mm)

Part No	FLC30-24V/T	FLC75-24V-P/T
Capacity	30W 24V	75W 24V

Ⓝ LED Driver : FLC200-24V/T (200W, DC24V)

- LED Driver with 12way distributor

Ⓞ Dimming Interface (0-10 V) : FDC-L10

- Max. 100W (100W/CH, 1CH)

Ⓟ Dimming Interface (0-10/1-10, DMX512)

- FDA-L2M0 : Max. 200W (100W/CH, 2CH)
- FDA-L5M : Max. 200W (50W/CH, 5CH)

Ⓠ Dimming Interface (Dai): FDD-L1DA

- Max. 200W (100W/CH, 1CH)

