

**FLXible Neon 1***Super Slim Flexible LED With Spot-free Output*

Curve Perfection with FLXible Neon



- Bend direction horizontally
- Ultra slim spot free illumination
- Dimmable with 0-10V, forward/reverse phase
- Indoor and outdoor application
- Field Cuttable (38.5mm) for customized length
- Available in standard lengths of 1, 2, 3, 4, 5M reels





### Specification

Model Number	Power Input	Lamp Power	Lumens/m	Color Temperature	Color Rendering	Operating Temperature
FN1 22K-24V-1M	DC 24V	12.5 W	358 lm	2,200K	Ra > 80	-10°C to 50°C
FN1 27K-24V-1M	DC 24V	12.5 W	374 lm	2,700K	Ra > 80	-10°C to 50°C
FN1 30K-24V-1M	DC 24V	12.5 W	413 lm	3,000K	Ra > 80	-10°C to 50°C
FN1 35K-24V-1M	DC 24V	12.5 W	443 lm	3,500K	Ra > 80	-10°C to 50°C
FN1 40K-24V-1M	DC 24V	12.5 W	443 lm	4,000K	Ra > 80	-10°C to 50°C

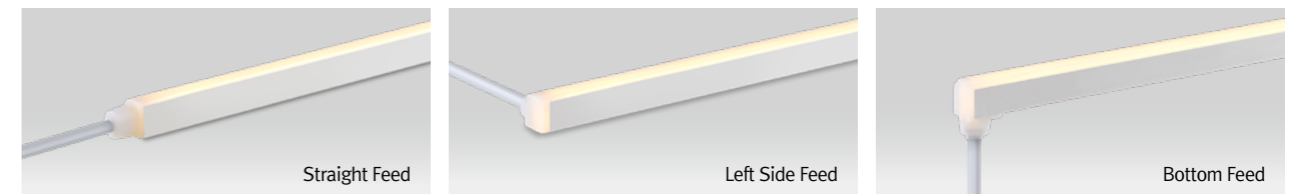
\* IP Rate

IP67 with Factory Termination (Customized Length Available)

IP65 with Field Termination

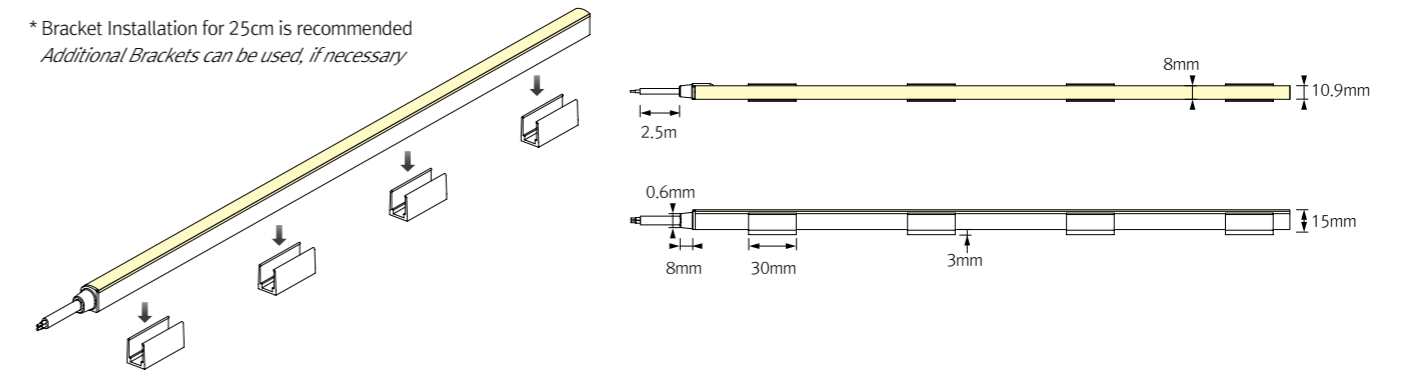
IP20 with Indoor Termination

### Powerfeed type

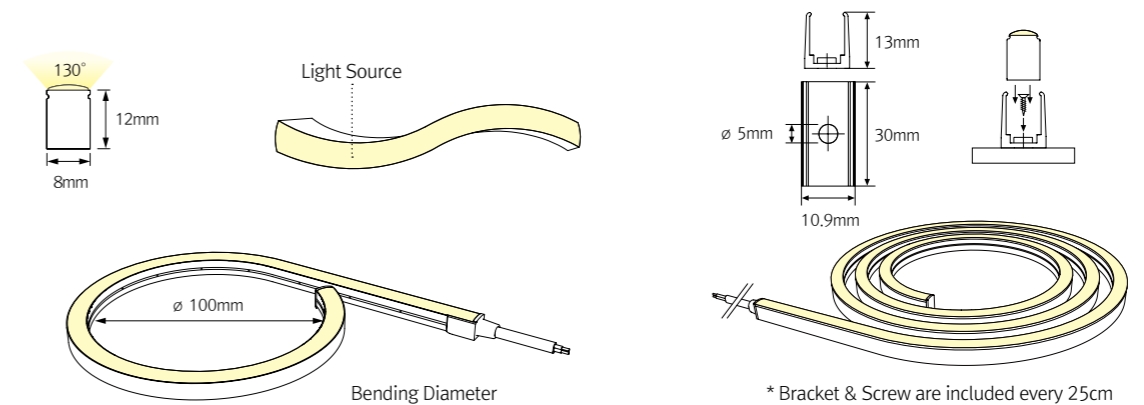


### Installation

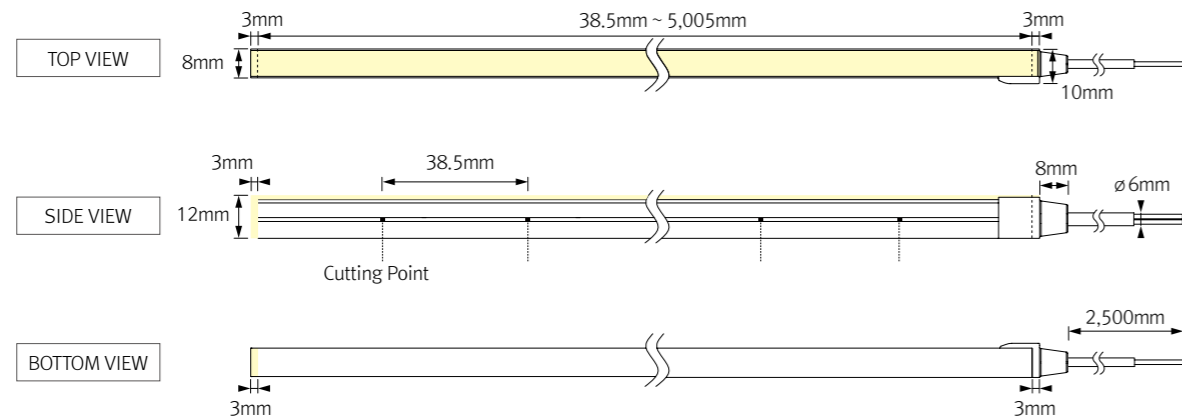
\* Bracket Installation for 25cm is recommended  
Additional Brackets can be used, if necessary



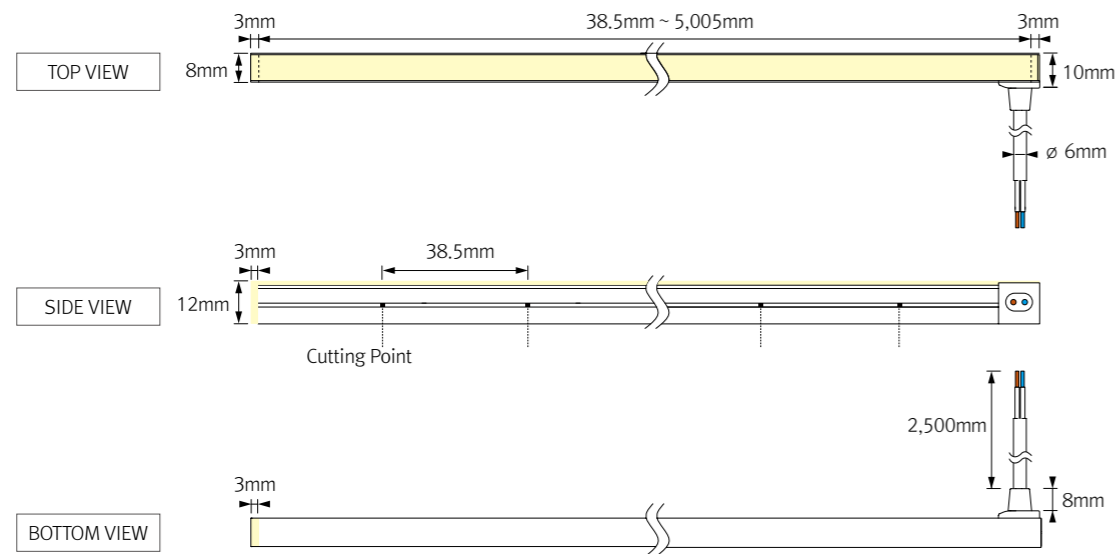
### Physical specifications



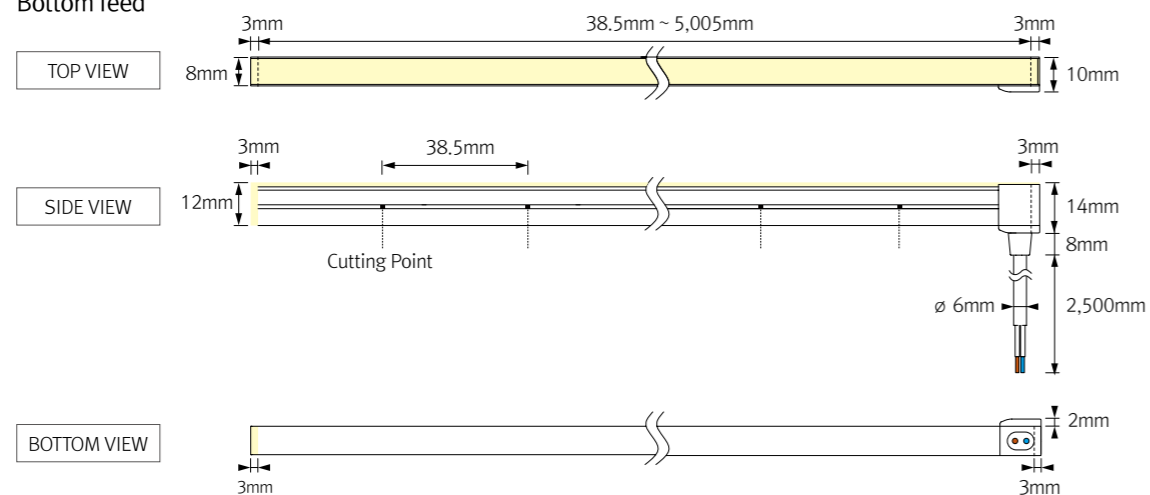
Straight Feed



Left Side Feed



Bottom feed



FLXible Neon can be cut every 38.5mm.  
Please follow the cutting point mark to cut precisely as needed.

Accessories

Ⓐ FLXible Neon 1 Straight Feed (Customized Length Available)

- FN1 40K-24V (5m)      FN1 40K-24V (2m)
- FN1 40K-24V (4m)      FN1 40K-24V (1m)
- FN1 40K-24V (3m)

Ⓑ FLXible Neon 1 Left Side Feed (Customized Length Available)

- FN1 40K-24V-LS (5m)      FN1 40K-24V-LS (2m)
- FN1 40K-24V-LS (4m)      FN1 40K-24V-LS (1m)
- FN1 40K-24V-LS (3m)

Ⓒ FLXible Neon 1 Bottom Feed (Customized Length Available)

- FN1 40K-24V-BS (5m)      FN1 40K-24V-BS (2m)
- FN1 40K-24V-BS (4m)      FN1 40K-24V-BS (1m)
- FN1 40K-24V-BS (3m)

Ⓓ Mounting Brackets

- FN1-BRACKET1, 1set = 4pcs

Ⓔ FN1 Extrusion Line (1,200mm)

- FN1-EXL

Ⓛ Angled Brackets (15° & 40°)

- FN1-BRACKET2 : 1set = 4pcs

Ⓜ Expanding Stick

- FN-EPS

Ⓝ Indoor Power Cable Straight Feed (Max.62.5W)

- FN1-INPC (2,500mm) with END CAP

Ⓞ Indoor Power Cable Left Side Feed (Max.62.5W)

- FN1-INPC-LS (2,500mm) with END CAP

Ⓟ Indoor Direct Connector

- FN1-INCP

Ⓠ Indoor Connecting Cable

- FN1-INPTC (150mm)      FN1-INPTC4 (1,200mm)
- FN1-INPTC1 (300mm)      FN1-INPTC6 (1,800mm)
- FN1-INPTC2 (600mm)

Ⓡ Field Termination (IP65)

- FN1-FTKIT

Ⓢ LED Driver with 12way distributor, with power cord (1,800mm)

Part No	FLC30-24V/T	FLC75-24V-P/T
Capacity	30W 24V	75W 24V

Ⓣ LED Driver : FLC200-24V/T (200W, DC24V)

- LED Driver with 12way distributor

Ⓤ Dimming Interface (0-10 V) : FDC-L10

- Max. 100W (100W/CH, 1CH)

Ⓡ Dimming Interface (0-10/1-10, DMX512)

- FDA-L2M0 : Max. 200W (100W/CH, 2CH)
- FDA-L5M : Max. 200W (50W/CH, 5CH)

Ⓢ Dimming Interface (Dai) : FDD-L1DA

- Max. 200W (100W/CH, 1CH)

