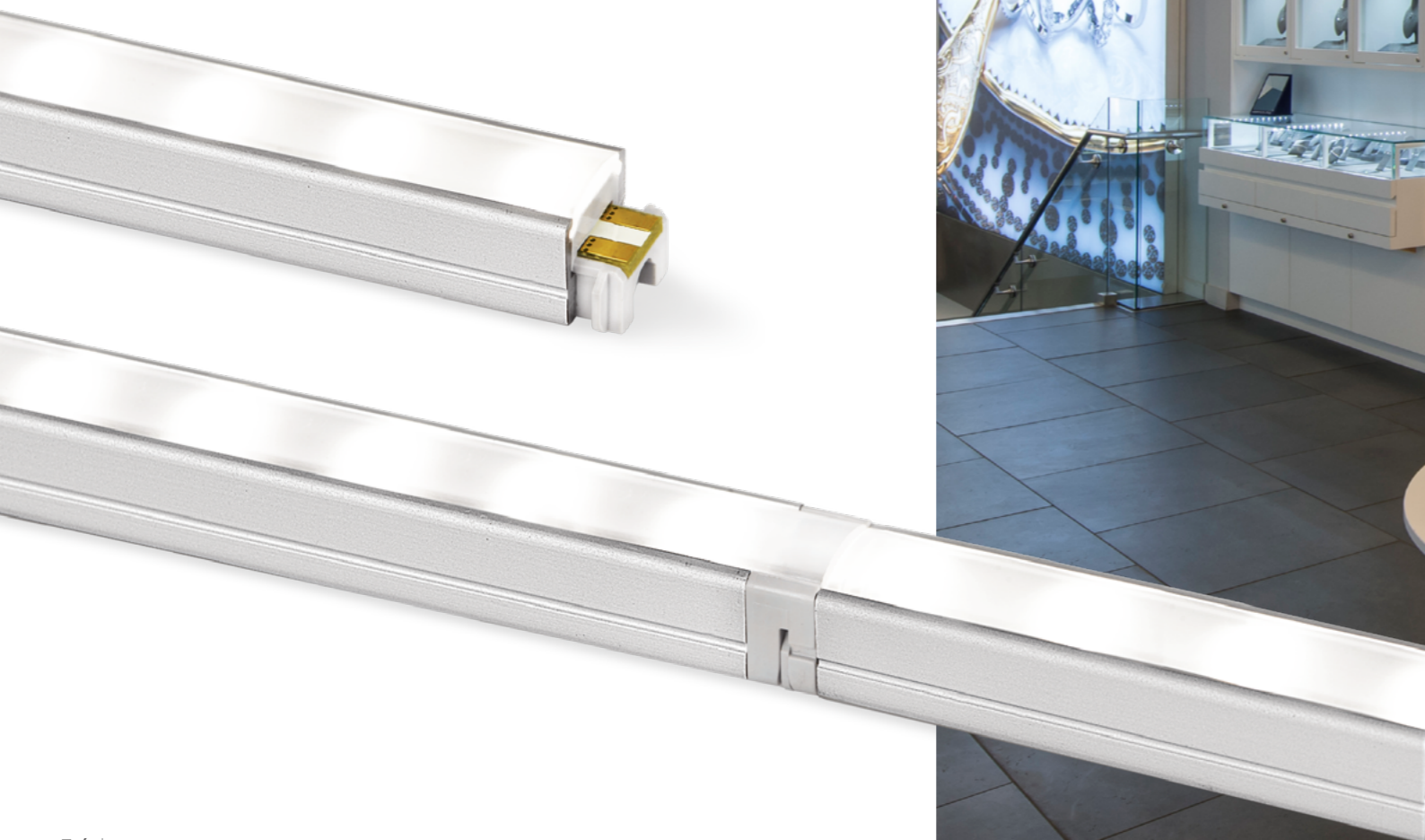


FLX Stix NDV*LED for Display, Cabinet, Furniture & Cove*

Little Light, Big Punch!!



- Super Slim linear LED with standard output
- Quick connection system between fixtures
- Many lengths available
- Various mounting methods including magnetic
- To be used with constant voltage DC 24V driver
- Dimmable with available accessories





FLX Stix NDV
Standard Output



NDV1 / FLX Stix NDV 1W length (100mm)



NDV3 / FLX Stix NDV 3W length (192mm)



NDV4 / FLX Stix NDV 4W length (285mm)



NDV7 / FLX Stix NDV 7W length (565mm)



NDV11 / FLX Stix NDV 11W length (845mm)

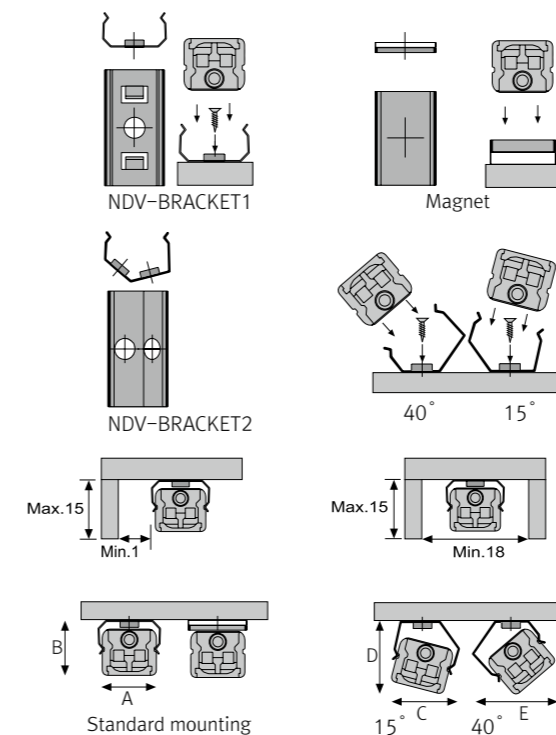


NDV15 / FLX Stix NDV 15W length (1,123mm)

Various options



Installation



Max. connection

- FLX Stix NDV : 55W in one row (single power feed)
- LED Driver

Model Name	Max. units for LED Driver		
	24V/30W	24V/75W	24V/200W
NDV1 40K-24V	25	62	160
NDV3 40K-24V	10	25	66
NDV4 40K-24V	7	18	50
NDV7 40K-24V	4	10	28
NDV11 40K-24V	2	6	18
NDV15 40K-24V	2	5	13

- W/ Bracket

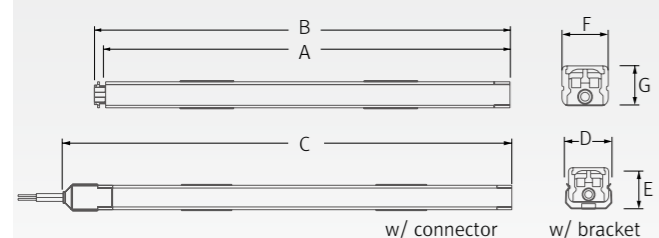
	A(mm)	B(mm)	C(mm)	D(mm)	E(mm)	F(mm)
Flat type	11.9	11.2	13.5	13.5	14.5	13
Round type	11.9	19.8	15.7	15.7	18.8	20.3
Square type	11.9	19.6	15.5	15.8	18.8	20.3

Specification

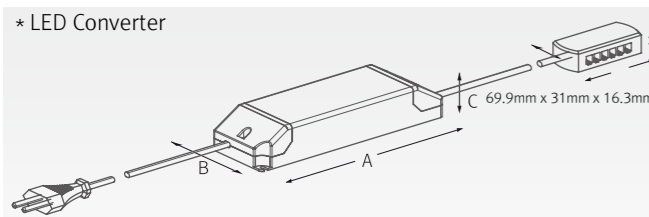
Model Name	Power Input	Lamp Power	Lumens	Efficiency	Color Rendering	Available Color	Operating Temperature
NDV1 40K-24V	DC 24V	1.2 W	79 lm	63 lm/W	Ra > 85	2,700K/3,000K/3,500K/4,000K/6,000K	0~45°C
NDV3 40K-24V	DC 24V	2.5 W	160 lm	64 lm/W	Ra > 85	2,700K/3,000K/3,500K/4,000K/6,000K	0~45°C
NDV4 40K-24V	DC 24V	3.7 W	248 lm	67 lm/W	Ra > 85	2,700K/3,000K/3,500K/4,000K/6,000K	0~45°C
NDV7 40K-24V	DC 24V	7.5 W	511 lm	68 lm/W	Ra > 85	2,700K/3,000K/3,500K/4,000K/6,000K	0~45°C
NDV11 40K-24V	DC 24V	11.4 W	742 lm	65 lm/W	Ra > 85	2,700K/3,000K/3,500K/4,000K/6,000K	0~45°C
NDV15 40K-24V	DC 24V	15.2 W	1,012 lm	67 lm/W	Ra > 85	2,700K/3,000K/3,500K/4,000K/6,000K	0~45°C

Dimension

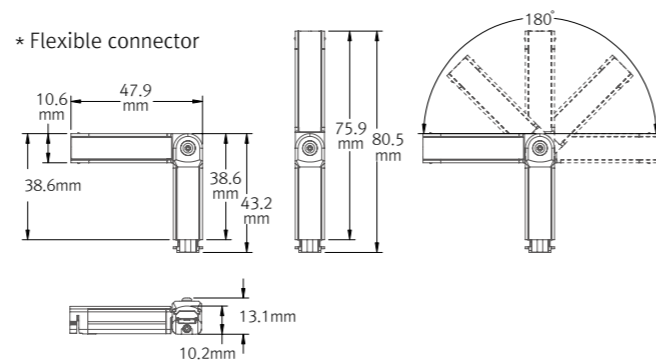
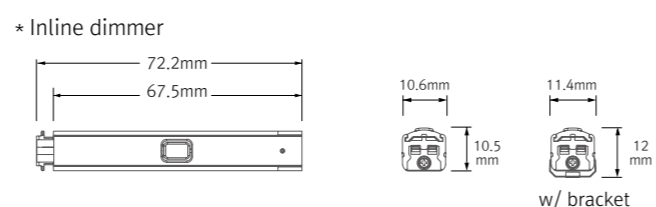
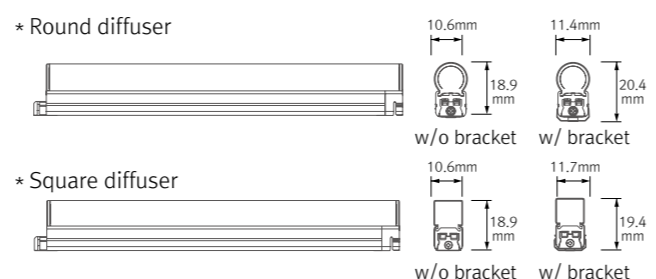
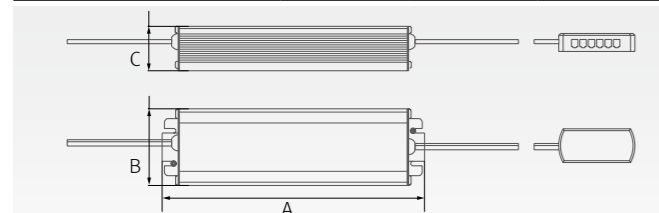
Model Name	Power Input (V)	Lamp Power (W)	A (mm)	B (mm)	C (mm)	D (mm)	E (mm)	F (mm)	G (mm)
NDV1 40K-24V	DC 24	1.2	95	100	117	12	11	10.6	9
NDV3 40K-24V	DC 24	2.5	188	192	210	12	11	10.6	9
NDV4 40K-24V	DC 24	3.7	280	285	302	12	11	10.6	9
NDV7 40K-24V	DC 24	7.5	560	565	582	12	11	10.6	9
NDV11 40K-24V	DC 24	11.4	840	845	862	12	11	10.6	9
NDV15 40K-24V	DC 24	15.2	1,118	1,123	1,140	12	11	10.6	9



Model Name	A (mm)	B (mm)	C (mm)
FLC30-24V/T	150	41	31
FLC75-24V/T	180	60	32



Model Name	A (mm)	B (mm)	C (mm)
FLC200-24V/T	228	68	39



Accessories

Ⓐ Connecting cables (between FLX Stix NDV & FLX Stix NDV)
 NDVPTC | NDVPTC1 | NDVPTC2 | NDVPTC4 | NDVPTC6
 150mm(6inch) | 300mm(1feet) | 600mm(2feet) | 1,200mm(4feet) | 1,800mm(6feet)

Ⓑ Power cable : NDVPC
 Power cable (Between DIVA2 & 12way distributor)

Ⓒ Mounting bracket : NDV-BRACKET1
 Included in fixture
 NDV-BRACKET1(A) : 1set = 2pcs
 NDV-BRACKET1(B) : 1set = 3pcs

Ⓓ Angle bracket (15° & 40°) : NDV-BRACKET2
 NDV-BRACKET2(A) : 1set = 2pcs
 NDV-BRACKET2(B) : 1set = 3pcs

Ⓔ Sidefeed for seamless extension (3W) : NDV3 40K-24V-S
 The dimension is the same as NDV3 40K-24V
 Powered only through cable, no power supply on the input connector

Ⓛ Connector : NDV1 40K-24V-FLEX
 FLX Stix NDV Flexible connector(1W)

Ⓜ End cap : NDV-CAP
 Included in fixture

Ⓨ LED Driver with 12way distributor, with power cord (1800mm)

Part No	FLC30-24V/T	FLC75-24V-P/T
Capacity	30W 24V	75W 24V

Ⓩ LED Driver : FLC200-24V/T (200W 24V)
 LED Driver With 12way distributor

ⓐ Dimming Interface (0-10/1-10,DMX512)
 FDA-L2M0 : Max. 200W (100W/CH, 2CH)
 FDA-L5M : Max. 200W (100W/CH, 5CH)

ⓑ Inline dimmer : NDVDIM
 Max 55W in a row

ⓓ Round diffuser

NDV1CVRM	NDV3CVRM	NDV4CVRM	NDV7CVRM	NDV11CVRM	NDV15CVRM
1W	3W	4W	7W	11W	15W

Ⓧ Square diffuser

NDV1CVSM	NDV3CVSM	NDV4CVSM	NDV7CVSM	NDV11CVSM	NDV15CVSM
1W	3W	4W	7W	11W	15W

Ⓨ Door and motion detection sensor : FLS-M24V
 Voltage : DC 24V

Ⓩ Human-body detection sensor : FLS-P24V
 Voltage : DC 24V

ⓐ Connecting bracket : NDV-BRACKET3
 Included in fixture

ⓑ Power bracket : NDV-BRACKET4
 Provided with Power cable (NDVPC)

