

FLX Stix NDFree

No more transformer with FLX Stix NDFree

Slim, Simple, Safe, Fast Integral Driver

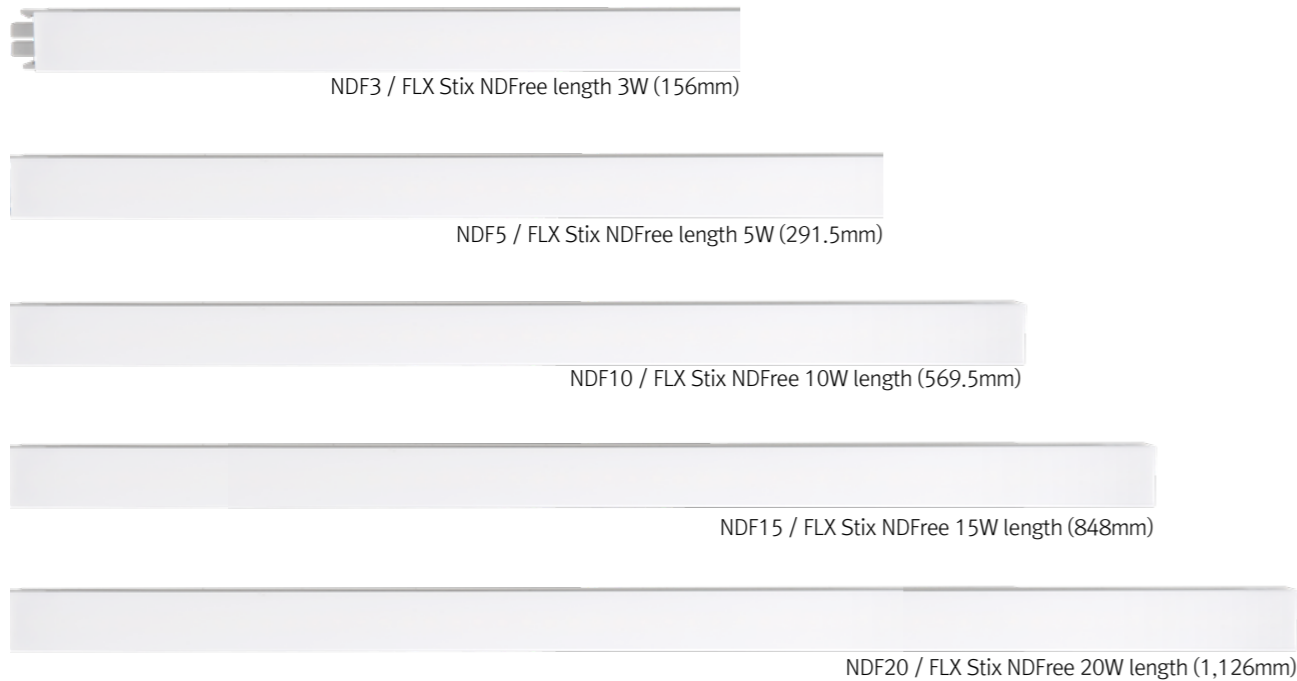


- Easy and quick installation, Long connection
- LED driver is not required (AC Direct Powered)
- Innovative Slim design
- Safe connection with locking system
- No dark spot at the linkage point for seamless effect
- Line voltage phase dimming
- Compatible with 3rd party dimmers
- Flicker Free
- Various accessories option

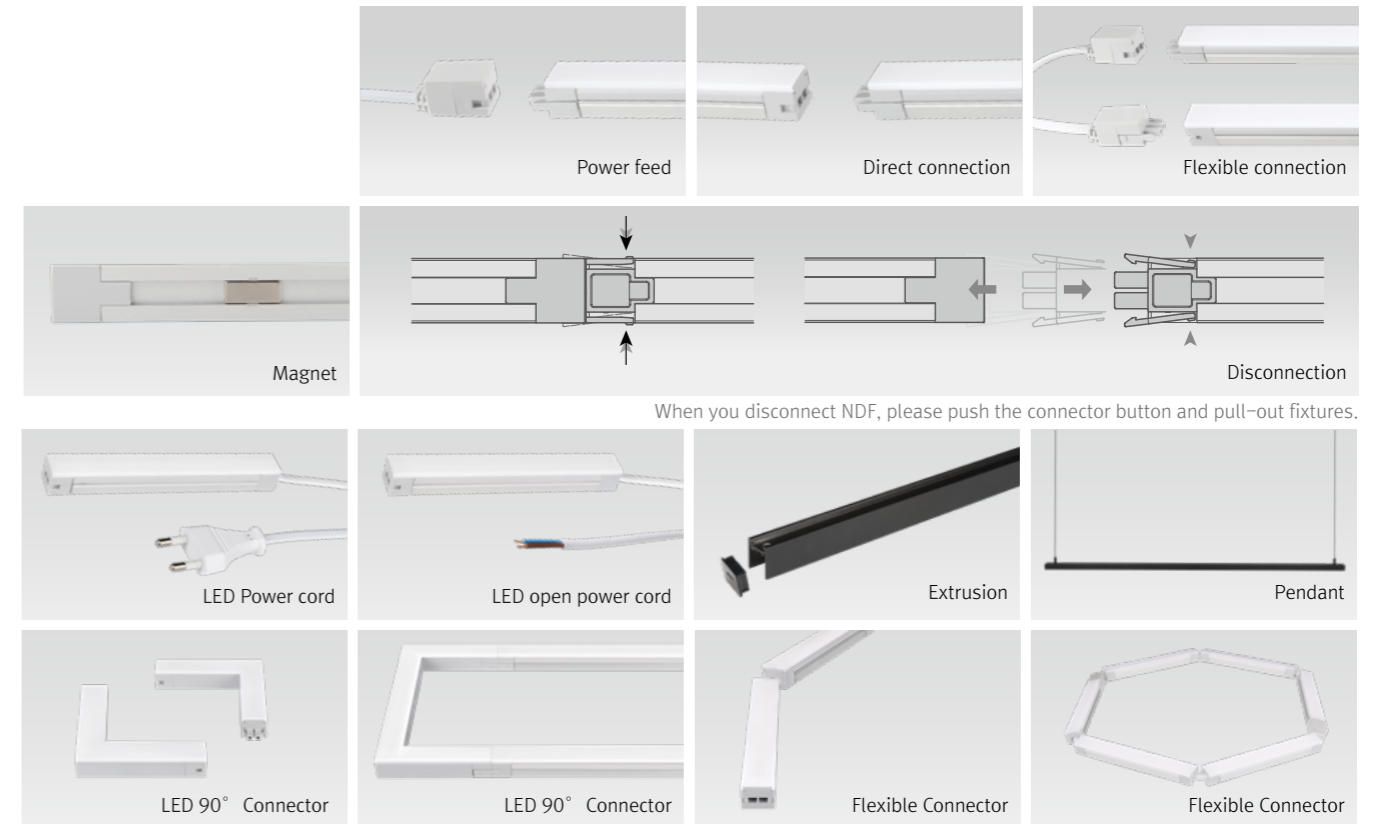




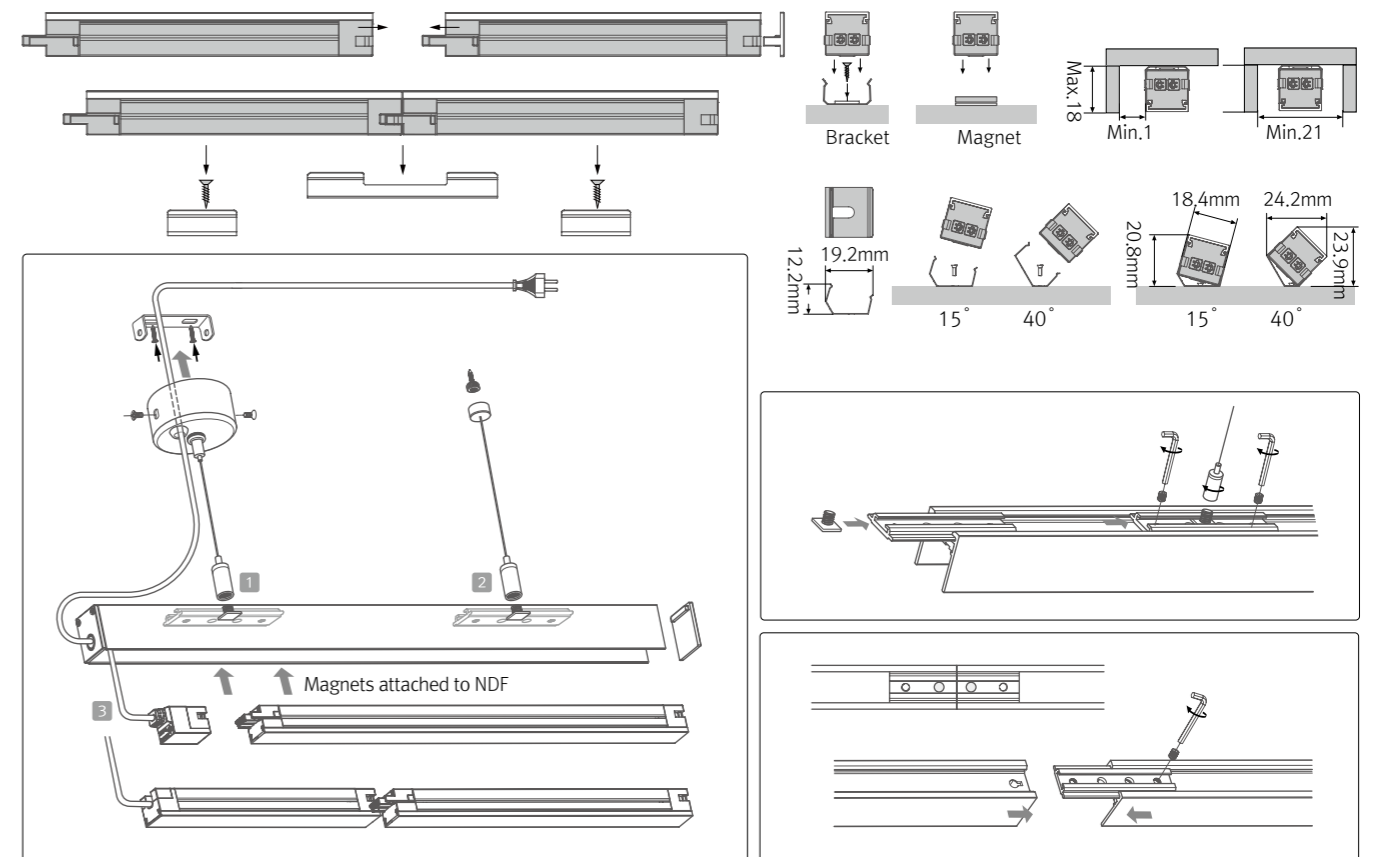
FLX Stix NDFree



Various options



Installation



Max. connection

- 400W in one row (single power feed)

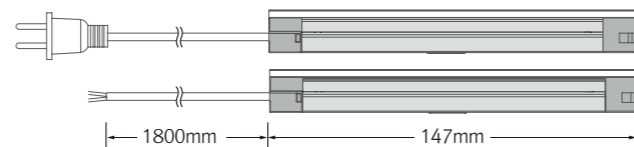
Specification

Model Name	Power Input	Lamp Power	Power Factor	Lumens	Energy Efficiency	Color Rendering	Available Color	Operating temperature
NDF3 40K-230V-C90-FF	AC 220-240V	2.5 W	PF > 0.9	212 lm	85 lm/W	Ra > 90	2,700K/3,000K/3,500K/4,000K	0 ~ 45°C
NDF5 40K-230V-C90-FF	AC 220-240V	5 W	PF > 0.9	340 lm	64 lm/W	Ra > 90	2,700K/3,000K/3,500K/4,000K	0 ~ 45°C
NDF10 40K-230V-C90-FF	AC 220-240V	10 W	PF > 0.9	720 lm	72 lm/W	Ra > 90	2,700K/3,000K/3,500K/4,000K	0 ~ 45°C
NDF15 40K-230V-C90-FF	AC 220-240V	15 W	PF > 0.9	1,080 lm	72 lm/W	Ra > 90	2,700K/3,000K/3,500K/4,000K	0 ~ 45°C
NDF20 40K-230V-C90-FF	AC 220-240V	20 W	PF > 0.9	1,440 lm	72 lm/W	Ra > 90	2,700K/3,000K/3,500K/4,000K	0 ~ 45°C

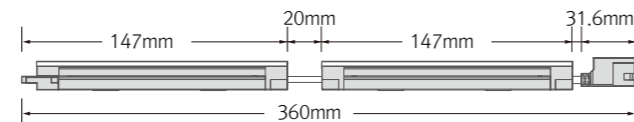
Dimension

Model Name	Voltage Input (V)	Lamp Power (W)	A (mm)	B (mm)	C (mm)	D (mm)	E (mm)	F (mm)	G (mm)
NDF3 40K-230V-C90-FF	AC 220 ~ 240V	2.5	147	156	178.7	19	18	18	16.8
NDF5 40K-230V-C90-FF	AC 220 ~ 240V	5	282.5	291.5	314	19	18	18	16.8
NDF10 40K-230V-C90-FF	AC 220 ~ 240V	10	560.5	569.5	592	19	18	18	16.8
NDF15 40K-230V-C90-FF	AC 220 ~ 240V	15	839	848	870.5	19	18	18	16.8
NDF20 40K-230V-C90-FF	AC 220 ~ 240V	20	1,117	1,126	1,148.5	19	18	18	16.8

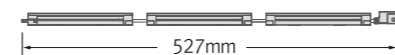
* LED Power Cord
NDF3 40K-230V-C90-FF-PC / OPC



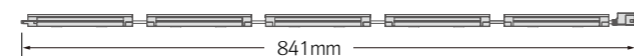
* Flexible Connector
NDF3 40K-230V-C90-FF-Flex2



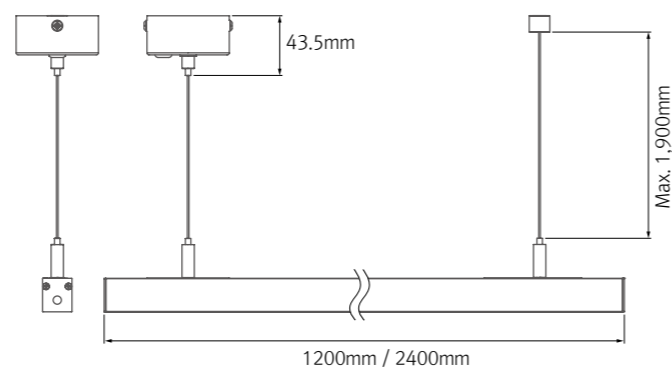
NDF3 40K-230V-C90-FF-Flex3



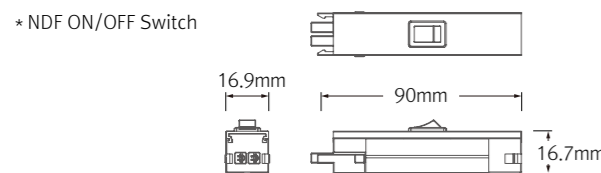
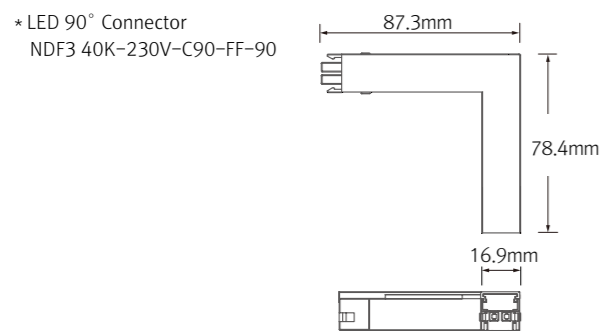
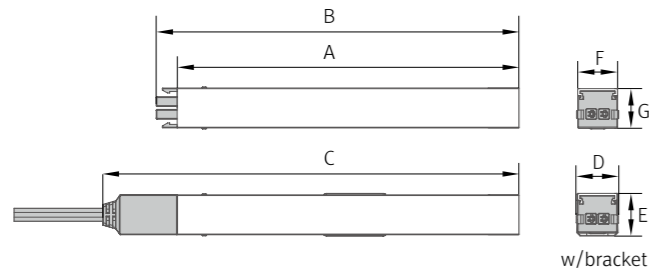
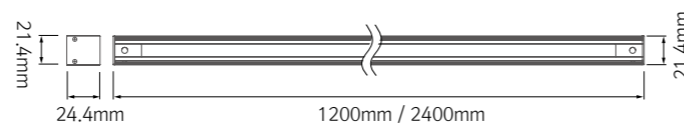
NDF3 40K-230V-C90-FF-Flex5



* NDF PENDANT

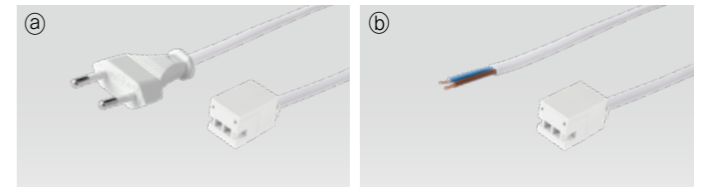


* NDF Extrusion Line

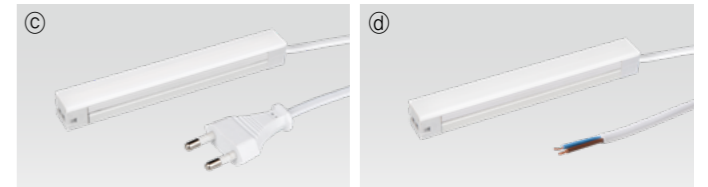


Accessories

Ⓐ Power cord : NDFPC/T (1,800mm)



Ⓑ Open power cord : NDFOPC/T (1,800mm)



Ⓒ LED Power cord : NDF3 40K-230V-C90-FF-PC
NDF3 (147mm) fixture with 1,800mm power cord

Ⓓ LED open power cord : NDF3 40K-230V-C90-FF-OPC
NDF3 (147mm) fixture with 1,800mm open power cord

Ⓔ LED 90° Connector : NDF3 40K-230V-C90-FF-90



Ⓕ Flexible Connector : NDF3 40K-230V-C90-FF-Flex
NDF3 Flex2 (359.5mm), NDF3 Flex3 (521.5mm), NDF3 Flex5 (830.5mm)

Ⓖ Connecting cable : NDFPTC/T

NDFPTC/T	NDFPTC1/T	NDFPTC2/T	NDFPTC4/T	NDFPTC6/T
150mm(6inch)	300mm(1feet)	600mm(2feet)	1,200mm(4feet)	1,800mm(6feet)



Ⓗ Mounting brackets : NDF-BRACKET1

1Set=3pcs Included with fixture



Ⓘ Angle bracket (15° & 40°) : NDF-BRACKET2

1Set=3pcs

Ⓙ Connecting bracket : NDF-BRACKET3

Included with fixture

Ⓚ End Cap : NDF-CAP

Included with fixture

Ⓛ Suspension Bracket : NDF-SK-BRACKET

Suspension Bracket for NDF

Ⓜ Suspension Power Kit : NDF-SK-POWER

Suspension Power Kit for NDF

Ⓝ NDF Extrusion Line

NDF-EXL (1.2m), NDF-EXL (2.4m)

Ⓞ ON/OFF Switch : NDF-SW

Ⓟ Dimming Interface (Bluetooth) : FDS-H1B-SR

Max. 200W (100W/CH, 1CH)

Ⓠ Dimming Interface (Dali) : FDS-H1DA-SR

Max. 200W (200W/CH, 1CH)

Ⓡ Dimming Interface (Dali) : FDS-H2DA-SR

Max. 288W (144W/CH, 2CH)

