

## FLX Spot DVS Swivel Dual

LED for Kitchen cabinet, Displays & Furniture

Dynamic Super Slim Swivel



- Dim to Warm (1,800~3,000K)
- Linkable together with FLX series
- Single 4W diode eliminates multiple shadows
- Virtually no heat emission and no UV radiation
- Available in white, black
- With constant voltage DC 24V driver
- Dimmable with available accessories
- Slim puck light





### Specification

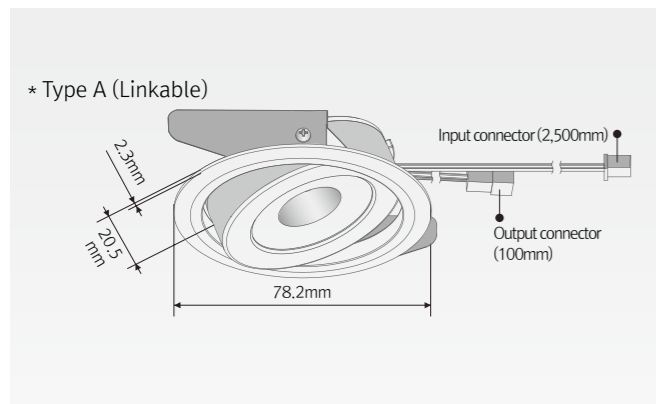
Model Name	Color	Power Input	Lamp Power	Lumens	Efficiency	Color Rendering	Available Color	Beam Angle	Operating Temperature
DVS4A CW-24V-SW-WT	White Black	DC 24V	3.6 W	292 lm	81 lm/w	Ra >90	1,800~3,000 K	25° 45° 60°	0~45 °C

### Max. connection

- FLX Spot DVS Swivel Dual : Max 7pcs in a row
- LED Driver

Model Name	Max. units for LED driver		
	24V/30W	24V/75W	24V/200W
DVS4A CW-24V-SW	7	17	47

### Dimension

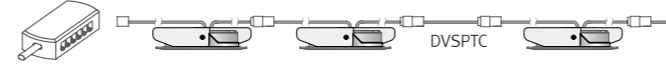


### Various options

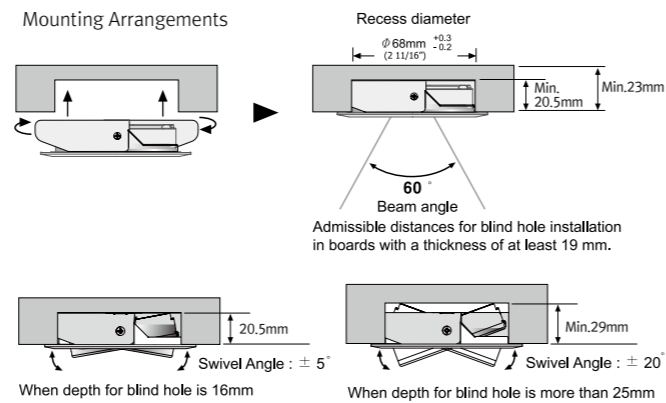


### Installation

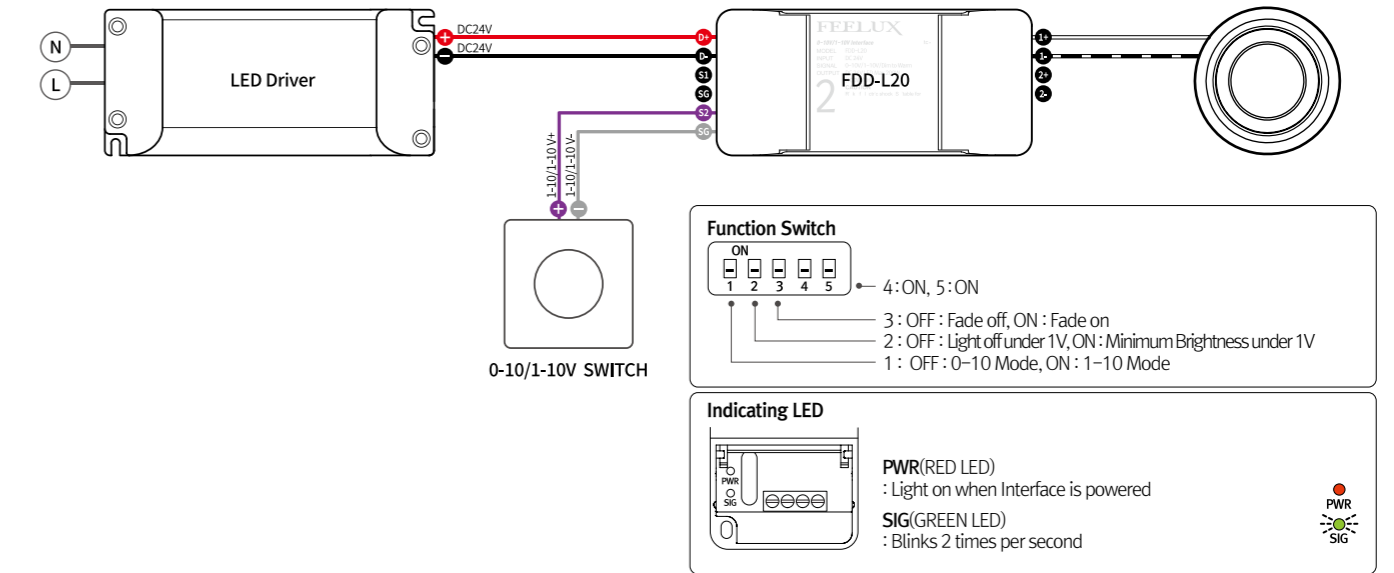
- ★ Linkable between FLX Spot DVS Swivel Dual & FLX Spot DVS Swivel Dual (Max 7 units connectable)



- Linkable between FLX Spot DVS Swivel Dual & FLX Stix DDPro



### Dim to Warm Mode



### Accessories

- Ⓐ FLX Spot DVS Swivel Dual
 

	White	Black
Part No	DVS4A SC-24V-SW-WT	DVS4A SC-24V-SW-BK
- Ⓑ Extension cable : DVSPTC (2,500mm)  
Between FLX Spot Swivel & FLX Spot DVS or 12 way distributor
- Ⓒ LED Driver with 12way distributor, with power cord (1,800mm)
 

Part No	FLC30-24V/T	FLC75-24V-P/T
Capacity	30W 24V	75W 24V
- Ⓓ LED Driver : FLC200-24V/T (200W, DC24V)  
LED Driver With 12way distributor
- Ⓔ Control Interface : FDD-L20  
Max. 200W (100W/CH, 1CH)
- Ⓕ Dimming Interface (Zigbee) : FDD-L2Z, FSM-Z1 (switch)  
Max. 200W (100W/CH, 2CH)

