

FLX Spot DVS Swivel Dim to Warm

LED for Kitchen cabinet, Displays & Furniture

Dynamic Super Slim Swivel



- Dim to Warm (1,800~3,000K)
- Linkable together with FLX series
- Virtually no heat emission and no UV radiation
- Available in white, black
- With constant voltage DC 24V driver
- Dimmable with available accessories
- Slim puck light





Specification

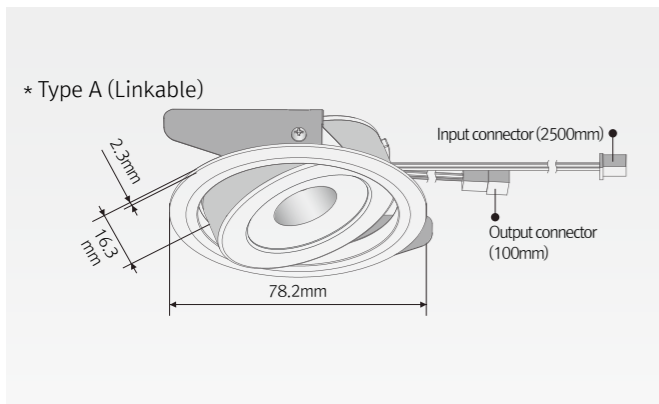
Model Name	Color	Power Input	Lamp Power	Lumens	Efficiency	Color Rendering	Available Color	Beam Angle	Operating Temperature
DVS4A CW-24V-SW-WT	White Black	DC 24V	3.6 W	292 lm	81 lm/w	Ra >90	1,800~3,000 K	35° 50°	0~45 °C

Max. connection

- FLX Spot DVS Swivel Dim to Warm : Max 7pcs in a row
- LED Driver

Model Name	Max. units for LED driver		
	24V/30W	24V/75W	24V/200W
DVS4A CW-24V-SW	7	17	47

Dimension



Various options

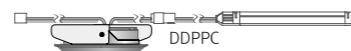


Installation

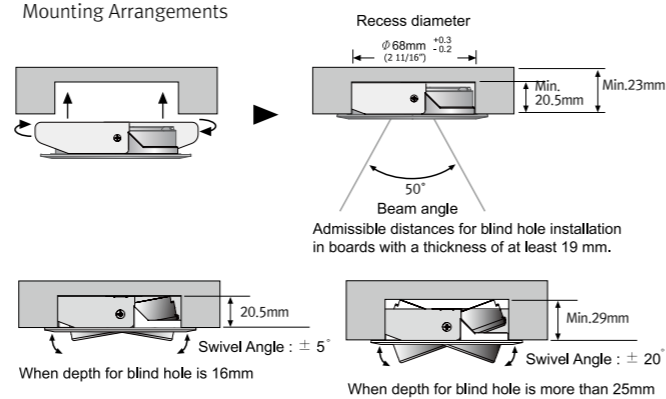
- ★ Linkable between FLX Spot DVS Swivel Dim to Warm & FLX Spot DVS Swivel Dim to Warm (Max 7 units connectable)



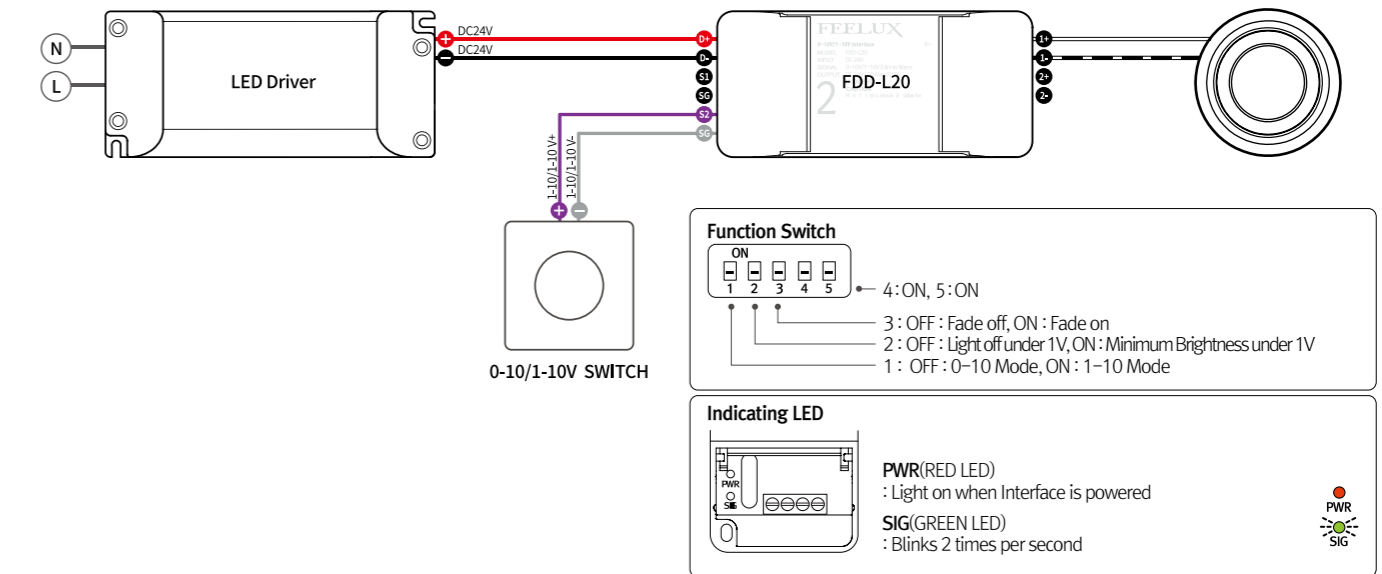
- Linkable between FLX Spot DVS Swivel Dim to Warm & FLX Stix DDPro



Mounting Arrangements



Dim to Warm Mode



Accessories

- Ⓐ **FLX Spot DVS Swivel Dim to Warm**

White	Black
DVS4A CW-24V-SW-WT	DVS4A CW-24V-SW-BK
- Ⓑ **Extension cable : DVSPTC (2,500mm)**
Between FLX Spot Swivel & FLX Spot DVS or 12 way distributor
- Ⓒ **LED Driver with 12way distributor, with power cord (1,800mm)**

Part No	FLC30-24V/T	FLC75-24V-P/T
Capacity	30W 24V	75W 24V
- Ⓓ **LED Driver : FLC200-24V/T (200W, DC24V)**
LED Driver With 12way distributor
- Ⓔ **Control Interface : FDD-L20**
Max. 200W (100W/CH, 1CH)
- Ⓕ **Dimming Interface (Zigbee) : FDD-L2Z, FSM-Z1 (switch)**
Max. 200W (100W/CH, 2CH)

