

FLX Spot DVS Swivel

LED for Kitchen cabinet, Displays & Furniture

Super Slim Swivel LED Spotlight



- Linkable together with FLX series
- Single 4W diode eliminates multiple shadows
- Virtually no heat emission and no UV radiation
- Available in silver, bronze, white, black
- To be used with constant voltage DC 24V driver
- Dimmable with available accessories

Various color





Specification

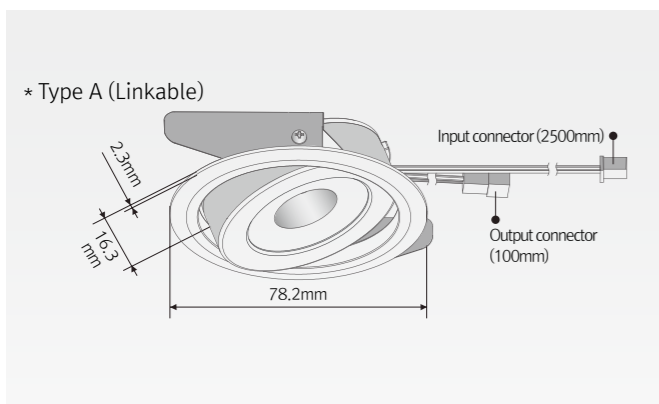
Model Name	Color	Power Input	Lamp Power	Lumens	Efficiency	Color Rendering	Available Color	Beam Angle	Operating Temperature
DVS4A 40K-24V-SW-WT-25	White	DC 24V	4.5 W	487 lm	108 lm/w	Ra > 80	2,700K/3,000K/3,500K/4,000K/5,700K	25°	0 ~ 45°C
DVS4A 40K-24V-SW-WT-45	Black	DC 24V	4.6 W	502 lm	109 lm/w	Ra > 80	2,700K/3,000K/3,500K/4,000K/5,700K	45°	0 ~ 45°C
DVS4A 40K-24V-SW-WT-60	Silver	DC 24V	4.6 W	485 lm	105 lm/w	Ra > 80	2,700K/3,000K/3,500K/4,000K/5,700K	60°	0 ~ 45°C

Max. connection

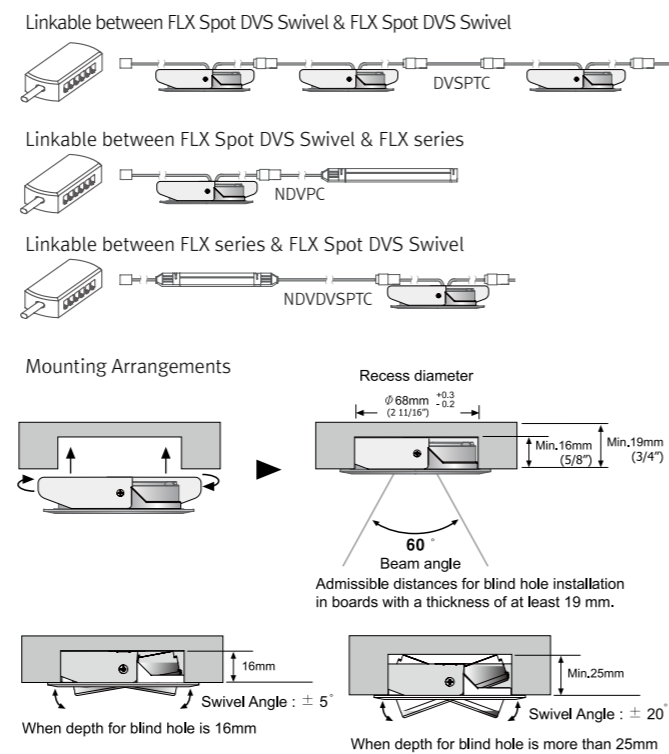
- FLX Spot DVS Swivel : Max 7pcs in a row
- LED Driver

Model Name	Max. units for LED driver		
	24V/30W	24V/75W	24V/200W
DVS4A 40K-24V-SW	7	17	47

Dimension



Installation



Various options



Accessories

- a) FLX Spot DVS Swivel**

White	Black	Bronze	Silver
DVS4A 40K-24V-SW-WT	DVS4A 40K-24V-SW-BK	DVS4A 40K-24V-SW-BZ	DVS4A 40K-24V-SW-SV
- b) Extension cable : DVSPTC (2,500mm)**
Between FLX Spot Swivel & FLX Spot DVS or 12 way distributor
- c) Connecting cable : NDVDVSPTC (1,000mm)**
Between FLX Spot DVS Swivel & FLX Stix NDV
* Available Color : Black, Gray
- d) Connecting cable : NDPDVSPTC (1,000mm)**
Between FLX Spot DVS Swivel & FLX Stix NDP
* Available Color : Black, Gray
- e) Connecting cable : NDVPC (2,500mm)**
Between FLX Stix NDV & FLX Spot DVS Swivel
- f) Connecting cable : NDPPC (2,500mm)**
Between FLX Stix NDP & FLX Spot DVS Swivel
- g) LED Driver with 12way distributor, with power cord (1,800mm)**

Part No	FLC30-24V/T	FLC75-24V-P/T
Capacity	30W 24V	75W 24V
- h) LED Driver : FLC200-24V/T (200W, DC24V)**
LED Driver With 12way distributor
- i) Dimming Interface (1-10V) : FDC-L10**
Max. 100W (100W/CH, 1CH)
- j) Dimming Interface (0-10/1-10, DMX512)**
FDA-L2M0 : Max. 200W (100W/CH, 2CH)
FDA-L5M : Max. 200W (50W/CH, 5CH)
- k) Dimming Interface (Dail) : FDD-L1DA**
Max. 200W (100W/CH, 1CH)
- l) Door and motion detection sensor : FLS-M24V**
Voltage : DC 24V
- m) Human-body detection sensor : FLS-P24V**
Voltage : DC 24V

