

## FLX Spot DVS

LED for Kitchen cabinet, Displays & Furniture

### Super Slim LED Recessed Spotlight



- Linkable together with FLX series
- Single 4W diode eliminates multiple shadows
- Virtually no heat emission and no UV radiation
- Available in silver, gold, white, black
- To be used with constant voltage DC 24V driver
- Dimmable with available accessories

Various color



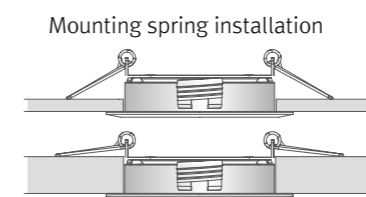
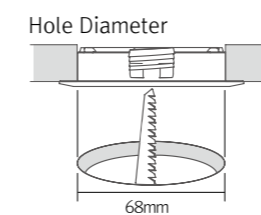
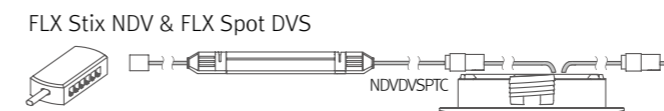
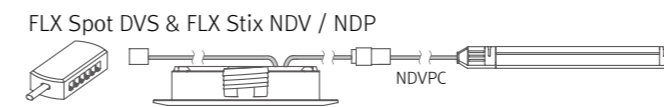
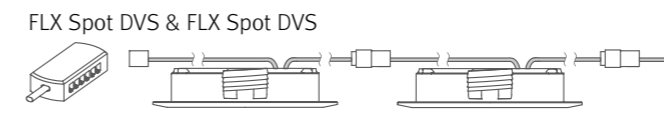




**Various options**



**Installation**



**Max. connection of linked fixtures**

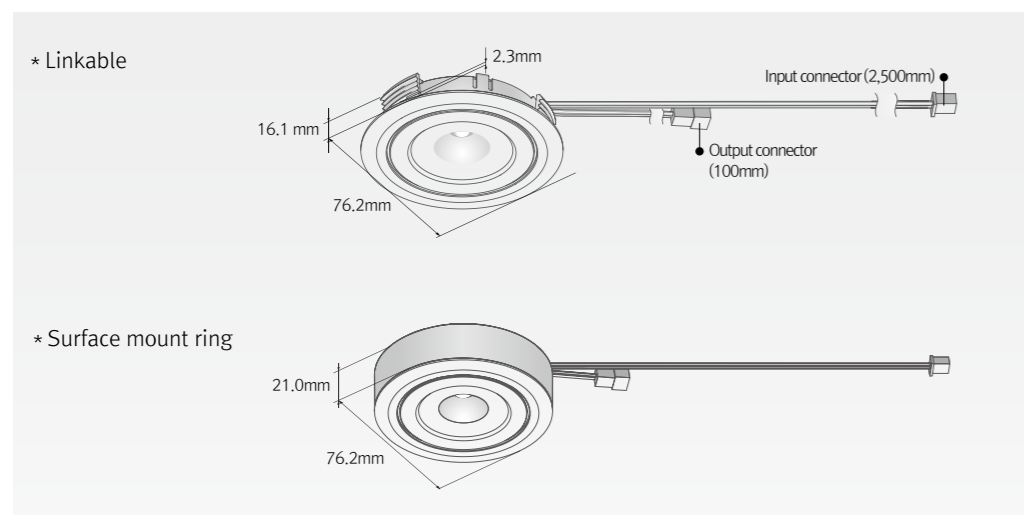
- FLX Spot DVS : Max 7pcs in a row
- LED Driver

Model Name	Max. units for LED driver			
	24V/15W	24V/30W	24V/75W	24V/200W
DVS4A 40K-24V	3	7	17	47

**Specification**

Model Name	Color	Power Input	Lamp Power	Luminous Flux	Efficiency	Color Rendering	Available Color	Beam Angle	Operating Temperature
DVS4A 40K-24V-WT-25	White	DC24V	4.3W	485lm	108lm/w	Ra > 85	2,700K/3,000K/3,500K/4,000K/5,700K	25°	0~45°C
DVS4A 40K-24V-WT-45	Black	DC24V	4.3W	500lm	109lm/w	Ra > 85	2,700K/3,000K/3,500K/4,000K/5,700K	45°	0~45°C
DVS4A 40K-24V-WT-60	Silver	DC24V	4.3W	485lm	105lm/w	Ra > 85	2,700K/3,000K/3,500K/4,000K/5,700K	60°	0~45°C
	Gold	DC24V	4.3W	485lm	105lm/w	Ra > 85	2,700K/3,000K/3,500K/4,000K/5,700K	60°	0~45°C

**Dimension**



**Accessories**

	<p><b>Ⓐ FLX Spot DVS</b></p> <table border="1"> <thead> <tr> <th>White</th> <th>Black</th> <th>Gold</th> <th>Silver</th> </tr> </thead> <tbody> <tr> <td>DVS4A 40K-24V-WT</td> <td>DVS4A 40K-24V-BK</td> <td>DVS4A 40K-24V-GD</td> <td>DVS4A 40K-24V-SV</td> </tr> </tbody> </table>	White	Black	Gold	Silver	DVS4A 40K-24V-WT	DVS4A 40K-24V-BK	DVS4A 40K-24V-GD	DVS4A 40K-24V-SV
White	Black	Gold	Silver						
DVS4A 40K-24V-WT	DVS4A 40K-24V-BK	DVS4A 40K-24V-GD	DVS4A 40K-24V-SV						
	<p><b>Ⓑ Extension cable : DVSPTC (2,500mm)</b> Between FLX Spot DVS &amp; FLX Spot DVS or 12 way distributor</p>								
	<p><b>Ⓒ Connecting cable : NDVDVSPCT (1,000mm)</b> Between FLX Spot DVS &amp; FLX Stix NDV * Available Color : Black, Gray</p>								
	<p><b>Ⓓ Connecting cable : NDVPC (2,500mm)</b> Between FLX Stix NDV &amp; FLX Spot DVS * Available Color : Black, Gray</p>								

**Ⓔ LED Driver with 12way distributor, with power cord (1,800mm)**

Part No	FLC15-24V/T	FLC30-24V/T	FLC75-24V-P/T
Capacity	15W 24V	30W 24V	75W 24V



**Ⓛ LED Driver : FLC200-24V/T (200W DC24V)**  
LED Driver With 12way distributor



**Ⓜ Dimming Interface (1-10V) : FDC-L10**  
Max. 100W (100W/CH, 1CH)



**Ⓨ Dimming Interface(0-10/1-10,DMX512)**  
FDA-L2M0 : Max. 200W (100W/CH, 2CH)  
FDA-L5M : Max. 200W (50W/CH, 5CH)



**Ⓛ Dimming Interface (Dai): FDD-L1DA**  
Max. 200W (100W/CH, 1CH)



**Ⓛ Mounting spring: DVS spring**



**Ⓚ Surface mount ring**

White	Black	Gold	Silver
DVS MR-WT	DVS MR-BK	DVS MR-GD	DVS MR-SV



**Ⓛ Deco Ring**

White	Black	Gold	Silver
DVS DR-WT	DVS DR-BK	DVS DR-GD	DVS DR-SV



**Ⓜ Door and motion detection sensor (DC) : FLS-M24V**  
Voltage : DC 24V



**Ⓜ Human-body detection sensor (DC) : FLS-P24V**  
Voltage : DC 24V

