

## FLX Spot DVP POLE

LED for Display, Cabinet, Furniture

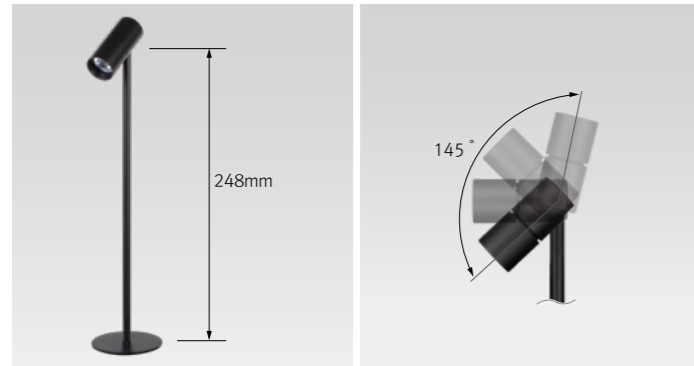
Versatile Mini LED Spotlight with Pole



- With constant voltage DC 24V driver
- Mini pole spotlight with various beam angle
- Effective focusing ability for showcases
- Dimmable with available accessories
- Available in black, white (Special order option: gold, silver)

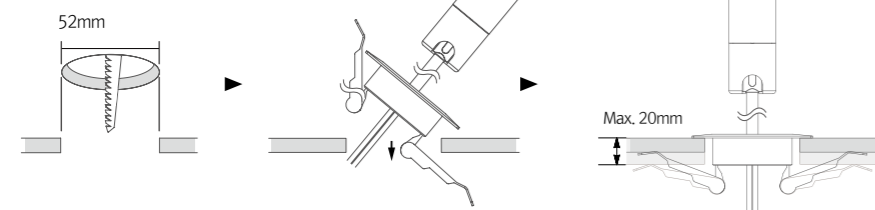


Various options

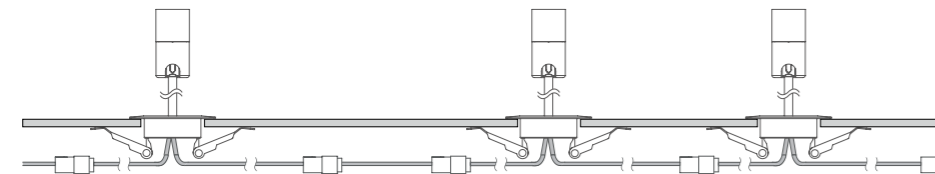


Installation

Hole Diameter 52mm      Mounting spring installation      \* Pole length is not adjustable



★ Linkable between FLX Spot DVP (POLE) and FLX Spot DVP(POLE) (Max. 10 units connectable)

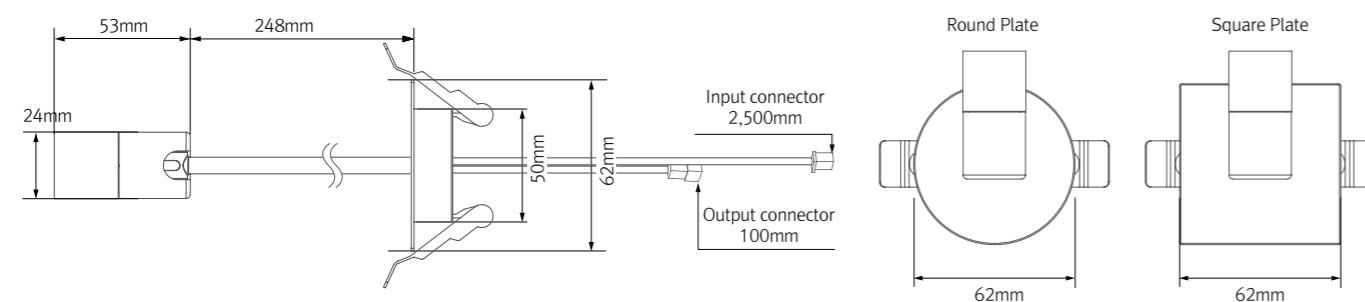


SPECIFICATION

\*Based on 4000K

Model Name	Power Input	Lamp Power	Luminous Flux	Luminous Efficacy	Color Rendering Index	Color Temperature	Beam Angle	Plate	Operating Temperature
DVP340K-24V-POLE-BK-28-RP	DC 24V	2.6 W	279.2 lm	105.8 lm/W	CRI > 90	4000K	28°	Round	0-45°C

DIMENSION



Accessories

Ⓐ FLX Spot DVP POLE  
DVP3 40K-24V-POLE-BK-28-RP

Ⓑ FLX Spot DVP POLE  
DVP3 40K-24V-POLE-BK-28-SP

Ⓒ DVP-HOOD  
DVP3-HOOD-BK-28 (28°)  
DVP3-HOOD-BK-40 (40°)  
DVP3-HOOD-BK-50 (50°)  
\* Hood with lens for various beam angle replacement

Ⓓ LED Driver with 12way distributor, with power cord (1,800mm)

Part No	FLC30-24V/T	FLC75-24V-P/T
Capacity	30W 24V	75W 24V

Ⓔ LED Driver : FLC200-24V/T (200W DC24V)  
LED Driver With 12way distributor

Ⓛ Dimming Interface (1-10V) : FDC-L10  
Max. 100W (100W/CH, 1CH)

Ⓜ Dimming Interface (0-10/1-10,DMX512)  
FDA-L2M0 : Max. 200W (100W/CH, 2CH)  
FDA-L5M : Max. 200W (50W/CH, 5CH)

Ⓨ Dimming Interface (Dail) : FDD-L1DA  
Max. 200W (100W/CH, 1CH)

Ⓩ Door and motion detection sensor (DC) : FLS-M24V  
Voltage : DC 24V

ⓐ Human-body detection sensor (DC) : FLS-P24V  
Voltage : DC 24V

ⓑ Dimming Interface (Zigbee)  
FDD-L2Z : Max. 200W (100W/CH, 2CH)

ⓓ Switch (Zigbee)  
FSM-Z1 : Wireless Control

