

FLX Stix HDPPro

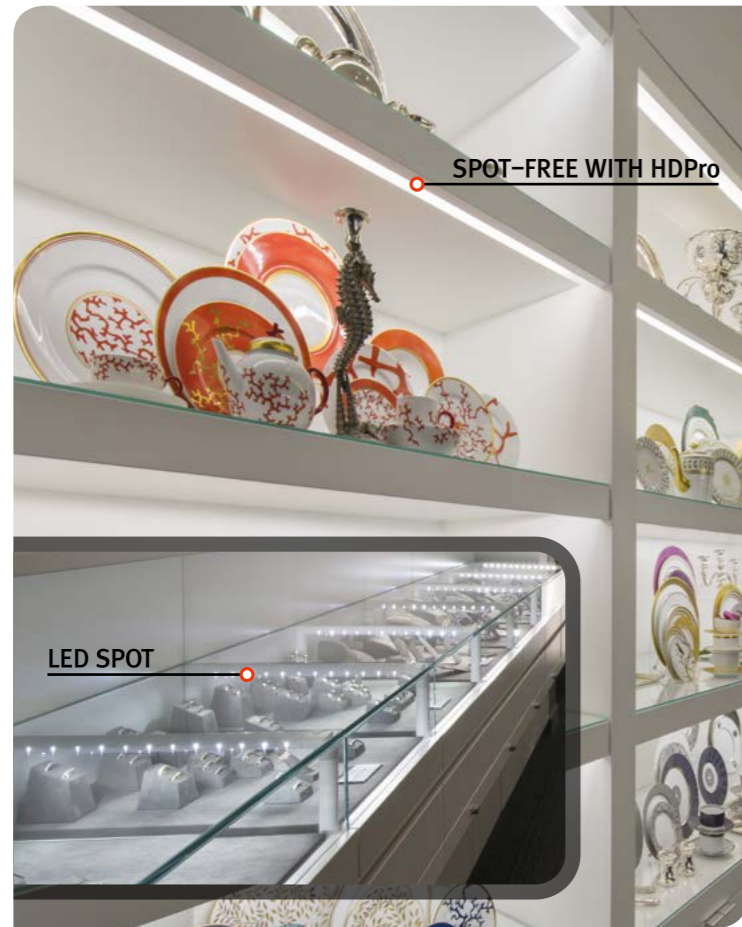
LED for Display, Cabinet, Furniture & Cove

Linear perfection with high output HDPPro



- Super slim linear LED with spot free high output
- Quick connection system
- Perfected with color consistency
- No dark spot at the linkage point for continuous seamless effect
- Various mounting methods including magnetic
- Dimmable with available accessories





FLX Stix HDPro
High Output



FLX Stix HDPro 3W Length (145 mm)



FLX Stix HDPro 6W Length (285.1 mm)



FLX Stix HDPro 12W Length (564.6 mm)

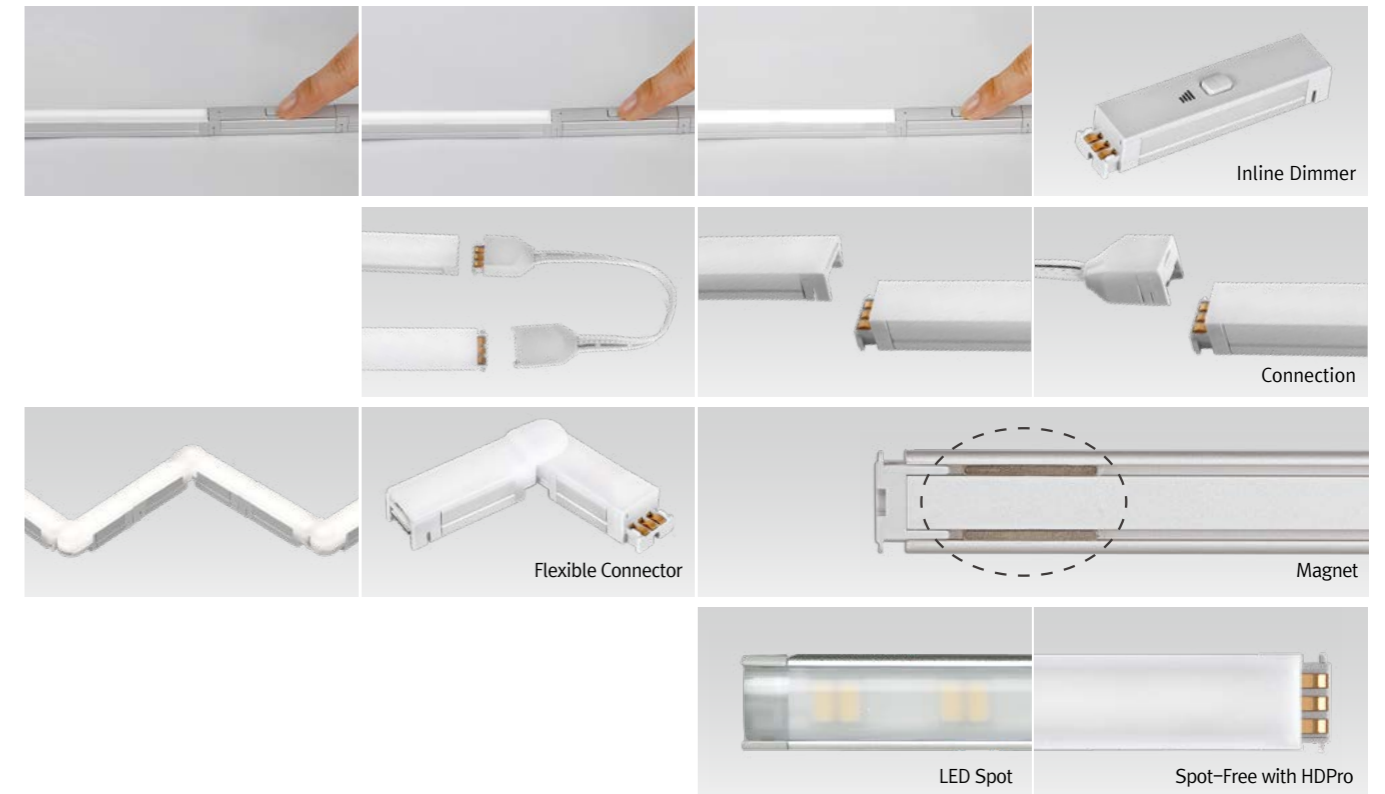


FLX Stix HDPro 18W Length (843.6 mm)

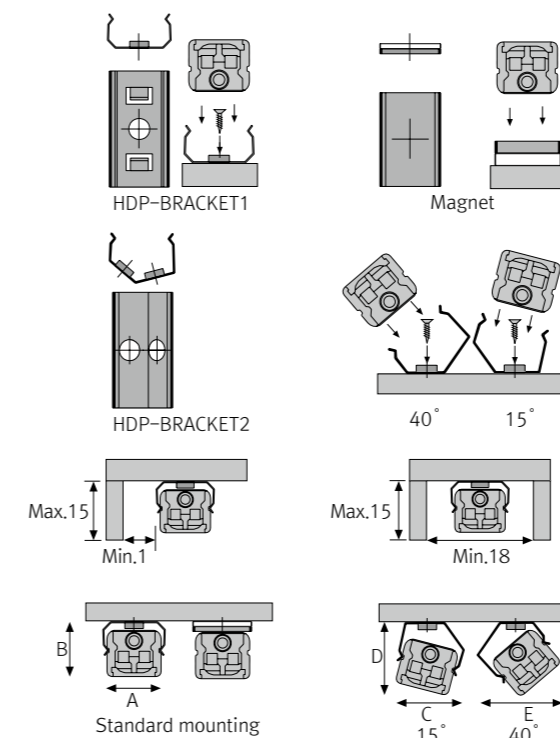


FLX Stix HDPro 24W Length (1,122.7 mm)

Various options



Installation



Max. connection

- 75W in one row(single power feed)
- LED Driver

Model Name	Max. units for LED Driver			
	24V/15W	24V/30W	24V/75W	24V/200W
HDP3 40K-24V-C90	5	10	25	71
HDP6 40K-24V-C90	2	5	12	34
HDP12 40K-24V-C90	1	2	6	17
HDP18 40K-24V-C90	-	1	4	11
HDP24 40K-24V-C90	-	1	4	8

- W/ Bracket

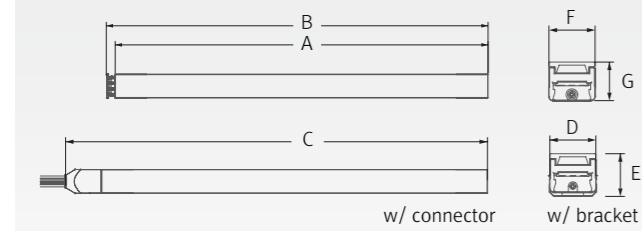
	A(mm)	B(mm)	C(mm)	D(mm)	E(mm)	F(mm)
Flat type	16	14	18.3	18	21	19.6

Specification

Model Name	Power Input	Lamp Power	Luminous Flux	Efficiency	Color Rendering	Available Color	Operating Temperature
HDP3 40K-24V-C90	DC24V	3W	240 lm	80 lm/W	Ra > 90	2,200K/2,500K/2,700K/3,000K/3,500K/4,000K/ 5,000K/5,700K	0-45°C
HDP6 40K-24V-C90	DC24V	6W	480 lm	80 lm/W	Ra > 90	2,200K/2,500K/2,700K/3,000K/3,500K/4,000K/ 5,000K/5,700K	0-45°C
HDP12 40K-24V-C90	DC24V	12W	960 lm	80 lm/W	Ra > 90	2,200K/2,500K/2,700K/3,000K/3,500K/4,000K/ 5,000K/5,700K	0-45°C
HDP18 40K-24V-C90	DC24V	18W	1,440 lm	80 lm/W	Ra > 90	2,200K/2,500K/2,700K/3,000K/3,500K/4,000K/ 5,000K/5,700K	0-45°C
HDP24 40K-24V-C90	DC24V	24W	1,920 lm	80 lm/W	Ra > 90	2,200K/2,500K/2,700K/3,000K/3,500K/4,000K/ 5,000K/5,700K	0-45°C

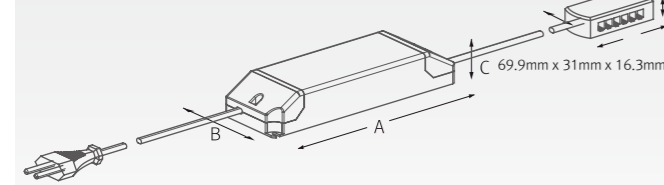
Dimension

Model Name	Power Input (V)	Lamp Power (W)	A (mm)	B (mm)	C (mm)	D (mm)	E (mm)	F (mm)	G (mm)
HDP340K-24V-C90	DC 24	3	139.9	145	162.8	16	15.3	15	14.1
HDP640K-24V-C90	DC24	6	280	285.1	302.9	16	15.3	15	14.1
HDP1240K-24V-C90	DC 24	12	559.5	564.6	582.4	16	15.3	15	14.1
HDP1840K-24V-C90	DC 24	18	838.5	843.6	861.4	16	15.3	15	14.1
HDP2440K-24V-C90	DC 24	24	1,111.6	1,122.7	1,140.5	16	15.3	15	14.1

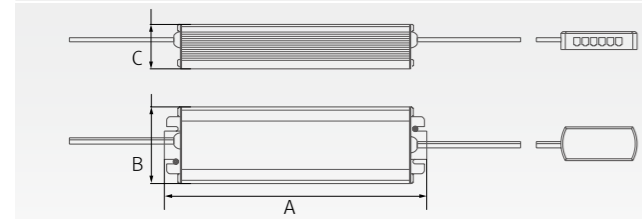


Model Name	A (mm)	B (mm)	C (mm)
FLC15-24V/T	121	45	16
FLC30-24V/T	150	41	31
FLC75-24V-P/T	180	60	32

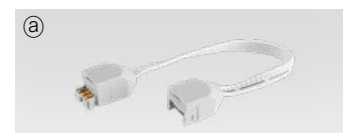
* LED Driver



Model Name	A (mm)	B (mm)	C (mm)
FLC200-24V/T	228	68	39



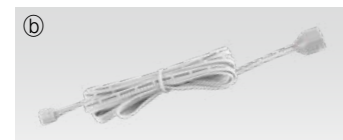
Accessories



ⓐ Connecting cables(between FLX Stix HDPro & FLX Stix HDPro)

HDPPTC	HDPPTC1	HDPPTC2	HDPPTC4	HDPPTC6
150mm(6inch)	300mm(1feet)	600mm(2feet)	1,200mm(4feet)	1,800mm(6feet)

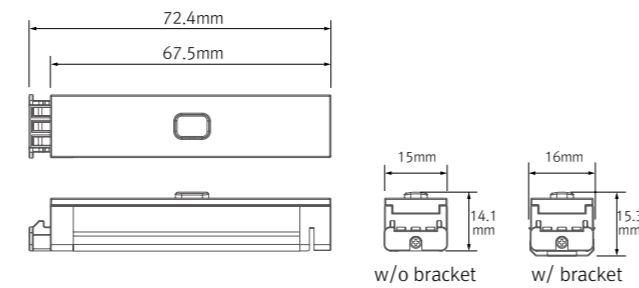
* Available Color : Black, Gray



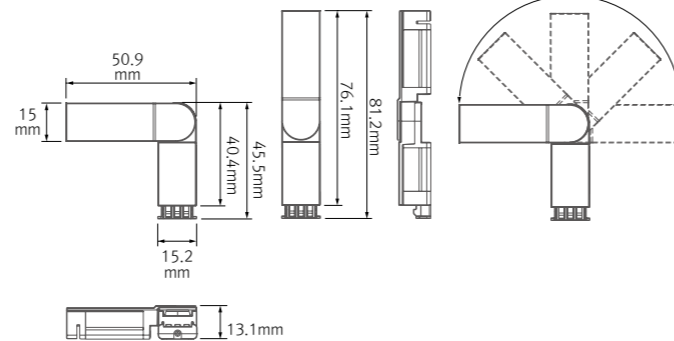
ⓑ Power cable : HDPPC (2,500mm)

Power cable (Between FLX Stix HDP/DDP & 12-way distributor)
* Available Color : Black, Gray

* Inline dimmer

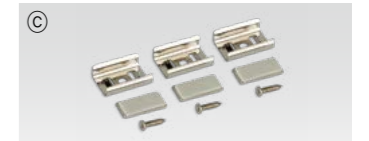


* Flexible connector



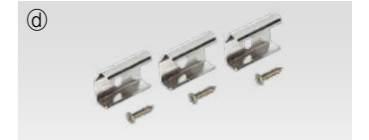
Ⓒ Mounting bracket : HDP-BRACKET 1

HDP-BRACKET1(A) : 1set = 2pcs
HDP-BRACKET1(B) : 1set = 3pcs



Ⓓ Angle bracket (15° & 40°) : HDP-BRACKET 2

HDP-BRACKET2(A) : 1set = 2pcs
HDP-BRACKET2(B) : 1set = 3pcs



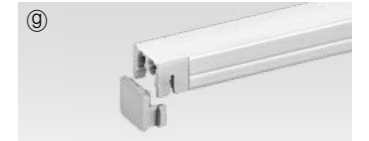
Ⓔ Sidefeed for seamless extension (3W) : HDP3 40K-24V-C90-S



Ⓕ Flexible Connector : HDP2 40K-24V-C90-FLEX



Ⓖ End cap : HDP-CAP



Ⓖ LED Driver with 12way distributor, with power cord (1800mm)

Part No	FLC15-24V/T	FLC30-24V/T	FLC75-24V-P/T
Capacity	15W 24V	30W 24V	75W 24V



Ⓖ LED Driver : FLC200-24V/T (200W DC24V)

LED Driver With 12way distributor



Ⓖ Dimming Interface (1-10V) : FDC-L10

Max. 100W (100W/CH, 1CH)



Ⓖ Dimming Interface(0-10/1-10,DMX512)

FDA-L2MO : Max. 200W (100W/CH, 2CH)
FDA-L5M : Max. 200W (50W/CH, 5CH)



Ⓖ Dimming Interface (Dali): FDD-L1DA

Max. 200W (100W/feed, 2feeds)



Ⓜ Inline dimmer : HDPDIM

Max 75W in a row



Ⓝ Door and motion detection sensor : FLS-M24V

Voltage : DC 24V



Ⓝ Human-body detection sensor : FLS-P24V

Voltage : DC 24V

