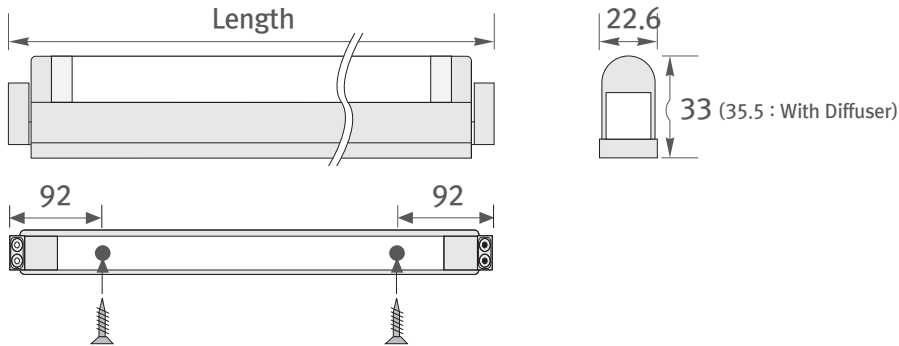
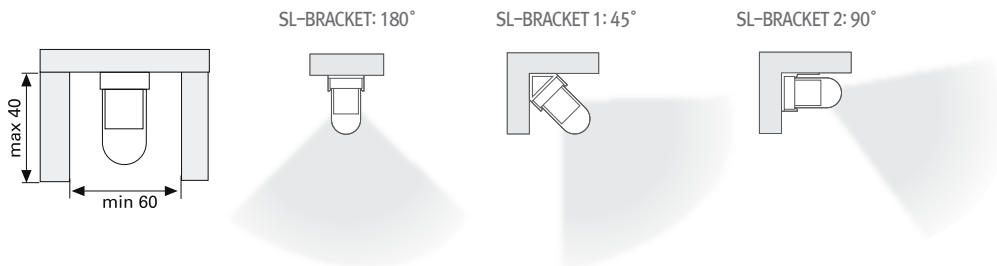


Dimensions

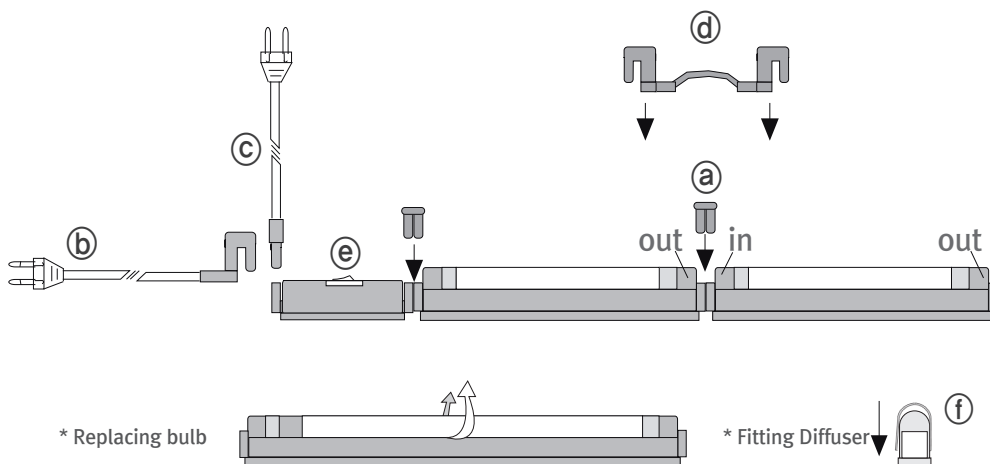


| Model No. | Lamp power (Watt) | Length (mm) | lm | Input Current (mA) |
|--------------|-------------------|-------------|------|--------------------|
| SL8AB23NN/T | 8W | 345 | 430 | 50 |
| SL14AB23NN/T | 14W | 595 | 1200 | 74 |
| SL21CB23NN/T | 21W | 895 | 1900 | 107 |
| SL28CB23NN/T | 28W | 1195 | 2600 | 140 |
| SL35CB23NN/T | 35W | 1495 | 3300 | 174 |

Mounting



Connection (Total lamp output in one strip light maximum 400W)



Specification

| | |
|-----------------|-----------|
| Frequency range | 50/60Hz |
| Voltage | 220-240V |
| Power factor | >97% |
| Color rendering | >82 |
| Lamp life | 16,000 hr |
| Diameter | 16mm (T5) |



Accessories



a DLCP/T
direct connecting cap



b DLPC230/T
powercord 1800mm (6 feet) with plug



c DLPC230/SM2/T
powercord 1800mm (6 feet) with plug & straight connector



d DLPTC/T
connecting cable 150mm (6 inch)
DLPTC1/T
connecting cable 300mm (1 feet)
DLPTC2/T
connecting cable 600mm (2 feet)
DLPTC4/T
connecting cable 1200mm (4 feet)
DLPTC6/T
connecting cable 1800mm (6 feet)



e DLSB/T
on-off switch



f SL8CV
polycarbonate diffuser for 8W Slimlamp
SL14CV
polycarbonate diffuser for 14W Slimlamp
SL21CV
polycarbonate diffuser for 21W Slimlamp
SL28CV
polycarbonate diffuser for 28W Slimlamp
SL35CV
polycarbonate diffuser for 35W Slimlamp