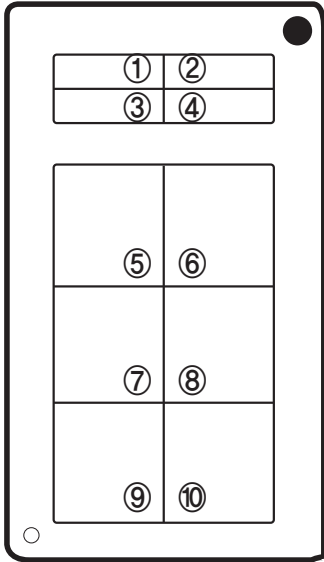


# TC-S2R



## Operation manual

### \* Turn on/off

Press any button (5~10) to turn on the lamps.  
Press the present scene button to turn off the lamps.

### \* Dimming control

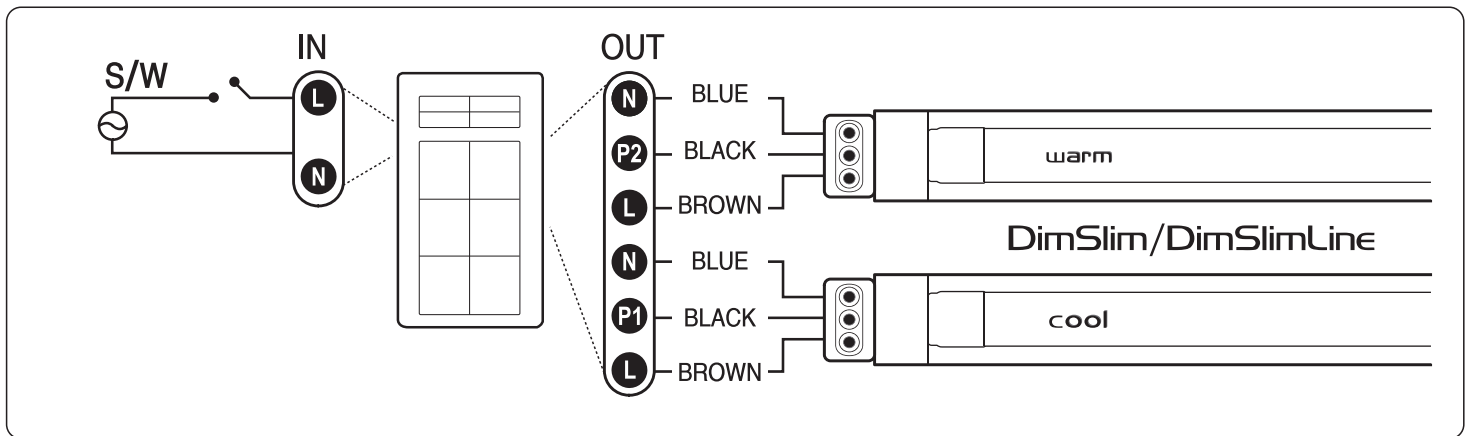
- ① : 1st channel dimming down
- ② : 1st channel dimming up
- ③ : 2nd channel dimming down
- ④ : 2nd channel dimming up

### \* Scene control

Press button (5~10) once to recall each scene slowly.  
Press button (5~10) twice quickly to recall each scene fast.  
Press button (5~10) over 3 seconds to memorize the present scene.  
Press button ⑥ and ⑨ at the same time to swing all scenes.  
Press button ⑤ and ⑩ at the same time to turn to the initial setting in factory.

### \* SIH

If you connect Cool color to 1st channel and Warm color to 2nd channel then you can express SIH.



## Wiring Method

1. Applicable electric wires : AWG 24-14(0.2-2.08mm<sup>2</sup>)
2. Stripped Length : 4-5mm
3. Use electric wires after making it stright.
4. Push electric wires to the tip of hole.
5. Connect L/N/P cables as specified. (L-brown, N-blue, P-black)

