

## LuxFeel Pole 50

Light for show case and shelf

### LED Display case spotlight

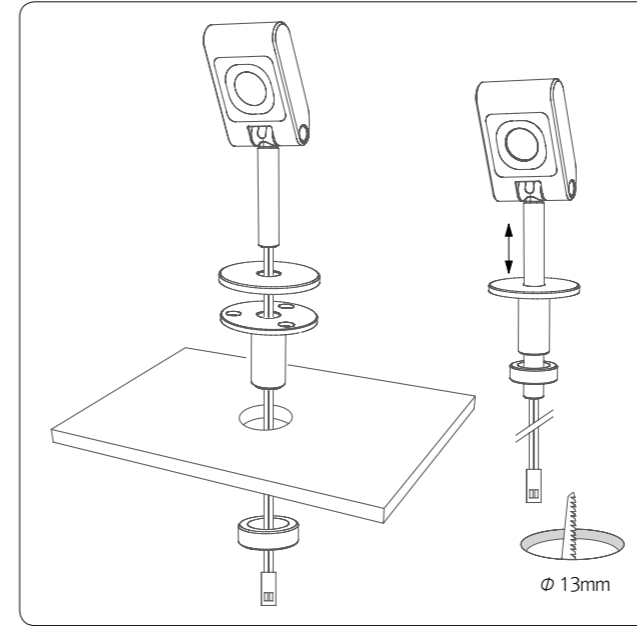


- Mini LED display case spotlight
- Effective focusing ability for showcases
- High color rendering(CRI95)
- Aluminum body





**Installation**



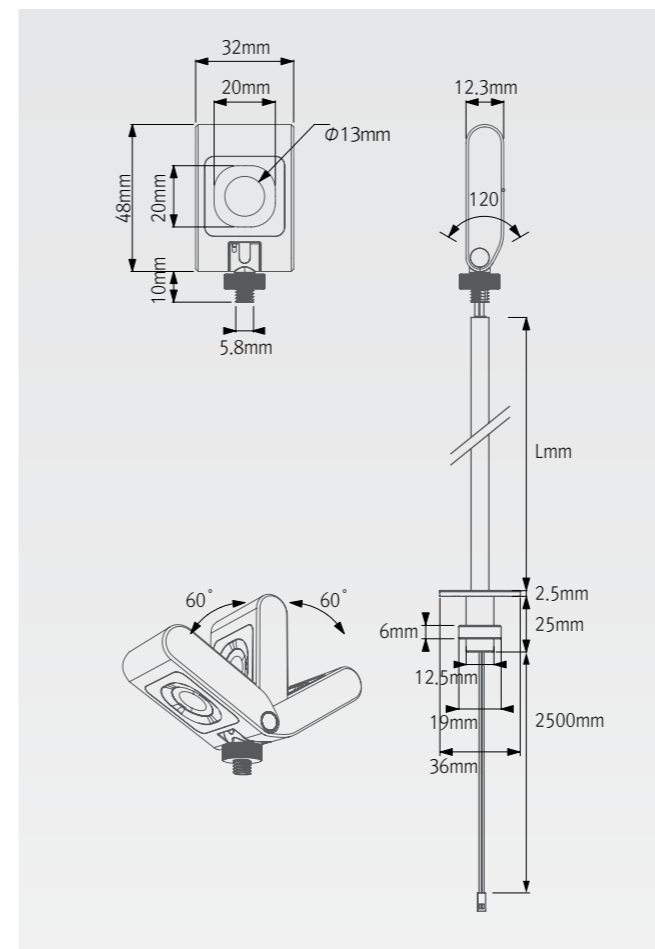
**Light output**



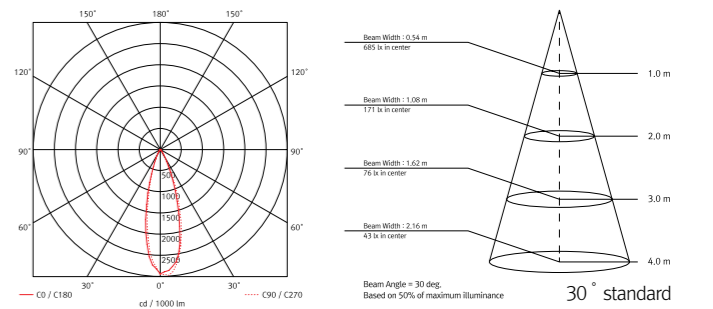
**Specification**

Model Name	Voltage Input	Current Input	Energy Consumption	Luminous Flux	Energy Efficiency	Color Rendering	Available color	Beam Angle	Material
LP50-3 40K-900mA	Typ. 3.2 V	900 mA	2.8 W	190 lm	65 lm/W	Ra > 95	2,700K / 3,000K / 3,500K / 4,000K	30° (Option 18°, 50°)	AL

**Dimension**



**Photometric data**



**Accessories**

**Ⓐ 5 way CC Distributor (CV to CC converter)**

INPUT : DC24V  
Constant output current : 900mA  
Output Voltage range : 3~16V  
1-10V Dimming



**Ⓑ LED Driver with 12way distributor with power cord(1,800mm)**

Part NO	FLC15-24V/T	FLC30-24V/T	FLC75-24V/T
Capacity	15W 24V	30W 24V	75W 24V

