

LuxFeel Line 30

Light for facades, window display and architecture

LED Facade luminaire for near and far



- Ideal for exhibition or commercial space
- Adjustable product: beam angle changeable
- Light for facades, windows display and architecture
- High color rendering (CRI95)

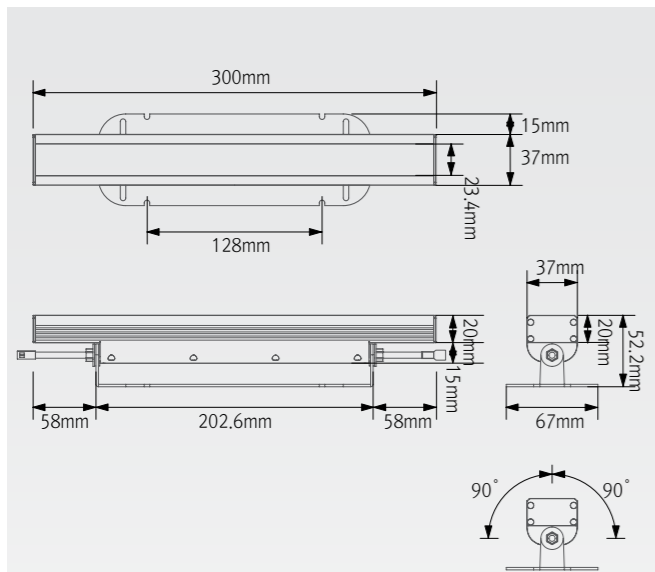




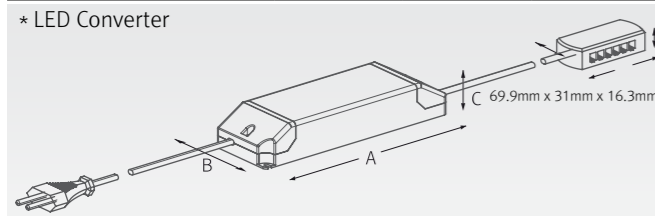
Specification

Model Name	Voltage Input	Energy Consumption	Luminous Flux	Energy Efficiency	Color Rendering	Available color	Beam Angle	Material
LL30-12 40K-24V	DC 24V	12W	720 lm	60 lm/W	Ra > 95	2,700K / 3,000K / 3,500K / 4,000K	15°	AL

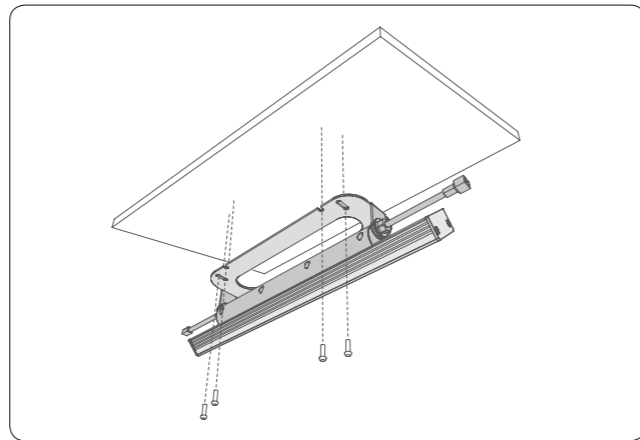
Dimension



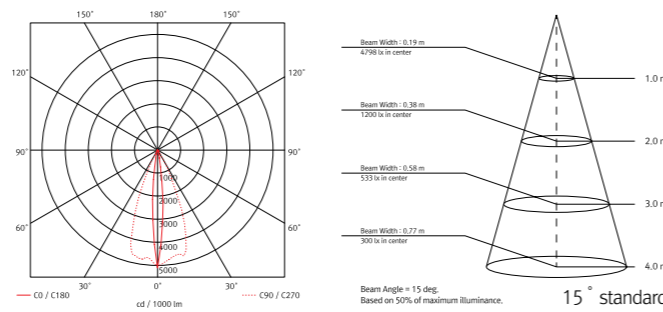
Model Name	A (mm)	B (mm)	C (mm)
FLC30-24V/T	150	41	31
FLC75-24V/T	180	60	32



Installation



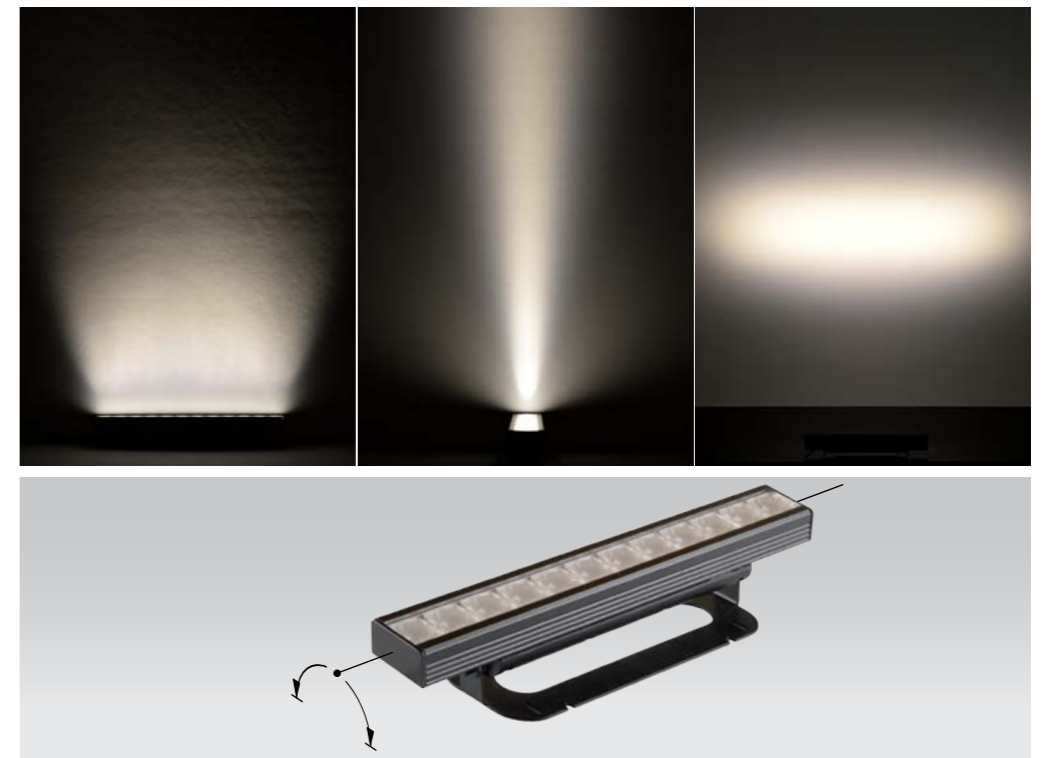
Photometric data



Notice

- Max. connection of linked fixtures : 4pcs in a row
- Non dimmable

Light output



Accessories

① LED Driver with 12way distributor with power cord(1,800mm)

Part NO	FLC15-24V/T	FLC30-24V/T	FLC75-24V/T
Capacity	15W 24V	30W 24V	75W 24V

