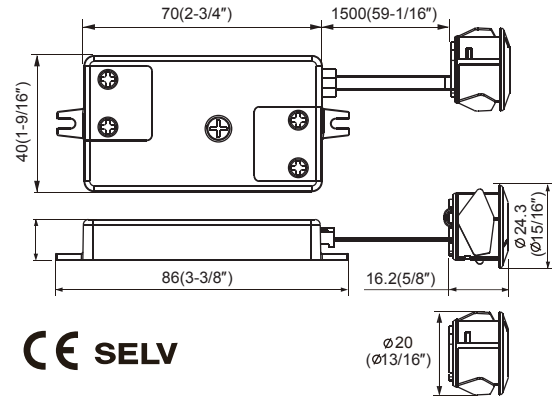


# FLS-P24V

Human-body detection sensor



## Dimension (mm/inches)



## Characteristics

Model No.	Rated supply	Rated output	Rated load
FLS-P24V	DC 24V	DC 24V	Max.60W

## Product Features

- Human-body detection sensor
- Detection range: Max. 2.5m(98-7/16 ")
- Detection angle: 80°
- Detection time: 10sec~3min

## Installation

