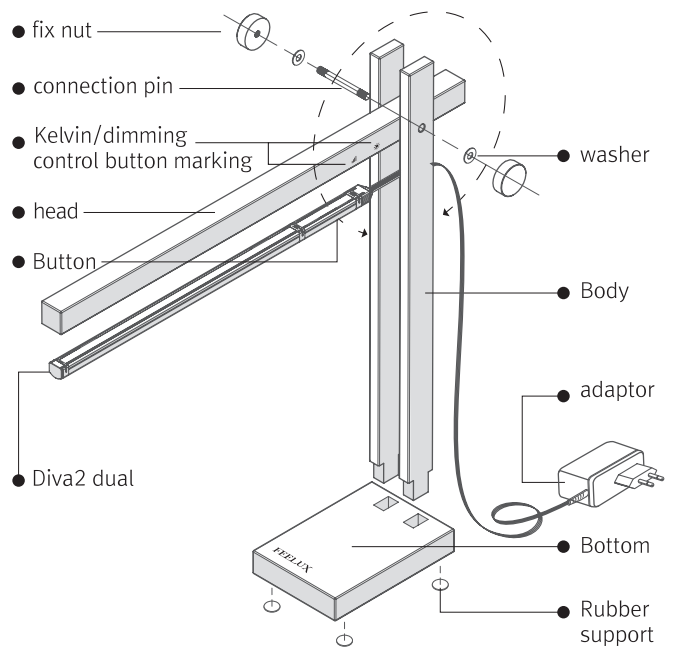


# WOOD LITE

Dynamic white Desk lamp

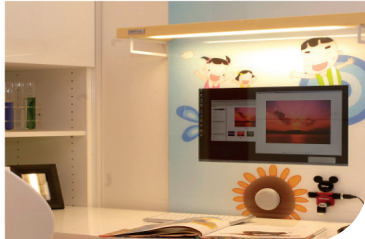
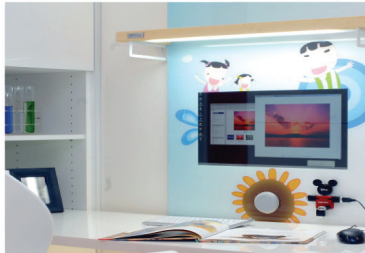
## Product composition



**Mathematics**  
5500~6000K  
560~660Lux

**Language**  
4200~4600K  
680~780Lux

**Creativity**  
2700~3500K  
500~600Lux



## WOOD LITE (DIY\_Do It Yourself)

Feelux new desk lamp WOOD LITE  
You can improve study efficiency with WOODLITE that can create proper atmosphere for study

## BENEFIT OF PRODUCT

### Natural sun light effect

Light is the most important energy and it has effected people for millions of years. Most peo ple feel more comfortable under the sun light.

### SIH(Sun In Home) system

SIH is high-technology artificiality lighting system which reproduce the change of sunlight in process of time from sunrise, day light to sunset indoor.

### Application to Woodlite

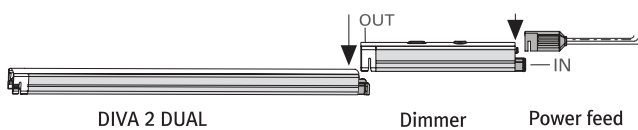
Each side of human brain is affected by the light temperature and intensity.

Woodlite utilizes this idea by creating the optimum light level pertaining to each Subject.



## Connection of Diva2 DUAL

head part of the product



## PRODUCT USE (BUTTON)



### On/Off

On: Press any button. You can call the latest mode.

Off: After 30 second leaving without control, press any button.



### Kelvin control

Change the study mode.

① reading(1,000~1,250 lux)

② language(680~780 lux)

③ creativity(500~600 lux)

④ mathematic (550~660 lux) ⑤ break



### Dimming control

4 steps dimming control.

Off > 100%(Full) > 75% > 50% > 25%



### Off

After study finished, press any button.

## Specification

PRODUCT NAME	WOOD LITE
POWER	Input(AC100~130V, 220~240V, 50~60Hz), Output(24V,0.5A) (certification no : KTL SH10060-8002)
LAMP application	DIVA2 DUAL (Model no. : DDV6AWCB24M) 2700K(WARM), 6000K(COOL)
Dimension (inch)	485X100X450(mm)
Use environment	operating temperature : 0 °C ~ 45 °C storage temperature : -5 °C ~ 50 °C storage humidity : under 60%