

FEELUX

FLX Stix HDPro

LED for Display, Cabinet, Furniture & Cove

Linear perfection with high output HDPro



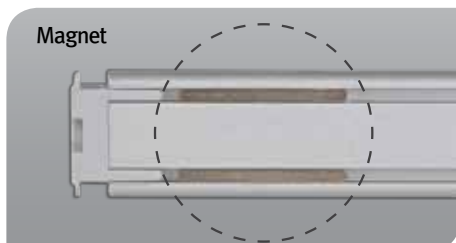
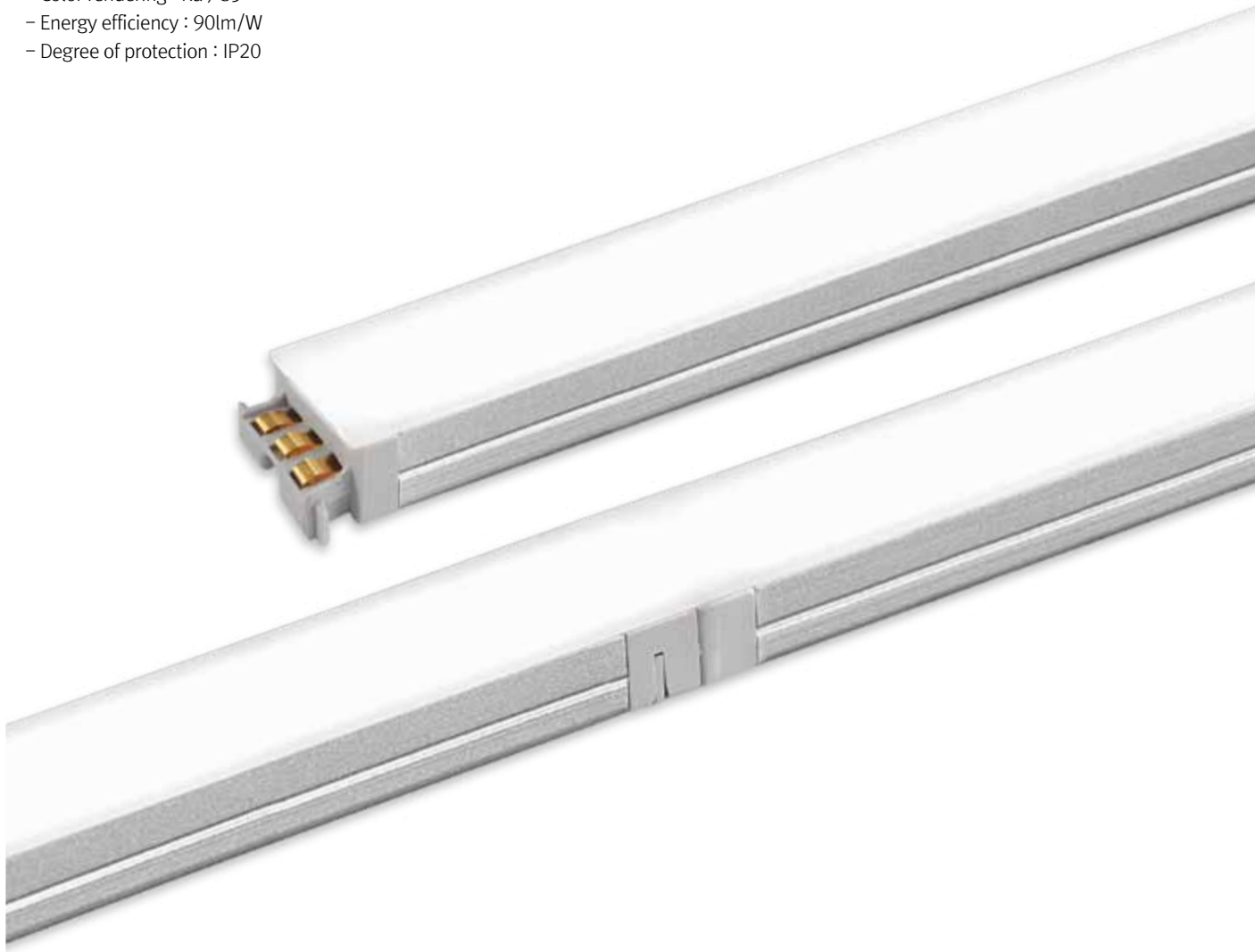


Product Features

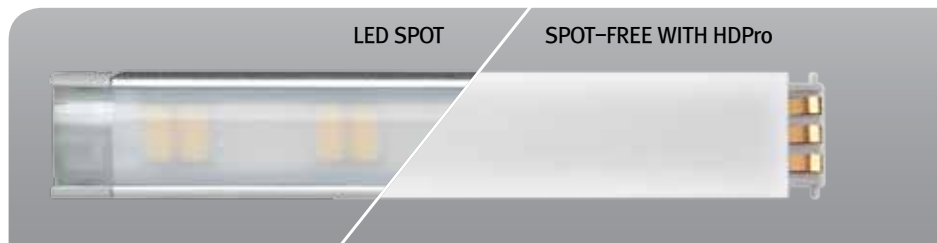
- Super Slim linear LED with spot free high output
- Quick connection system
- Perfected with color consistency
- No dark spot at the linkage point for continuous seamless effect
- Various mounting methods including magnetic
- Dimmable with available accessories

Specification

- Voltage : DC 24V
- Operating temperature : 0~45°C
- Lamp life : 50,000hrs / 70%
- Available color : 2200K, 2700K, 3000K, 3500K, 4000K
- Color rendering : Ra > 85
- Energy efficiency : 90lm/W
- Degree of protection : IP20



Magnet



LED SPOT

SPOT-FREE WITH HDPro



FLX Stix HDPro
High Output



FLX Stix HDPro 3W Length (145 mm)



FLX Stix HDPro 6W Length (285.1 mm)



FLX Stix HDPro 12W Length (564.6 mm)



FLX Stix HDPro 18W Length (843.6 mm)

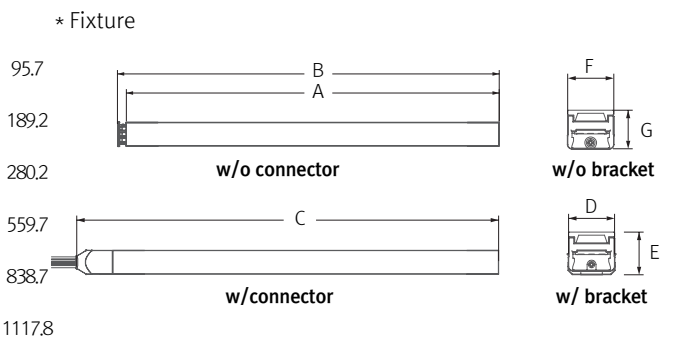


FLX Stix HDPro 24W Length (1122.7 mm)

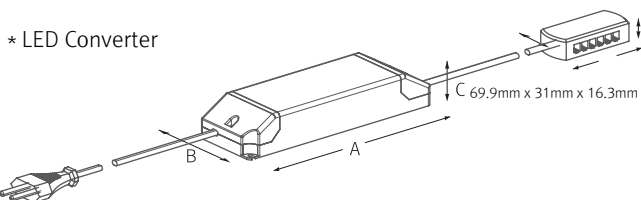
Various options



Dimension



Model Name	Power Input (V)	Lamp Power (W)	A (mm)	B (mm)	C (mm)	D (mm)	E (mm)	F (mm)	G (mm)
HDP340K-24V	DC 24	3	139.9	145	162.8	16	14	15	12.7
HDP640K-24V	DC 24	6	280	285.1	302.9	16	14	15	12.7
HDP1240K-24V	DC 24	12	559.5	564.6	582.4	16	14	15	12.7
HDP1840K-24V	DC 24	18	838.5	843.6	861.4	16	14	15	12.7
HDP2440K-24V	DC 24	24	1111.6	1122.7	1140.5	16	14	15	12.7

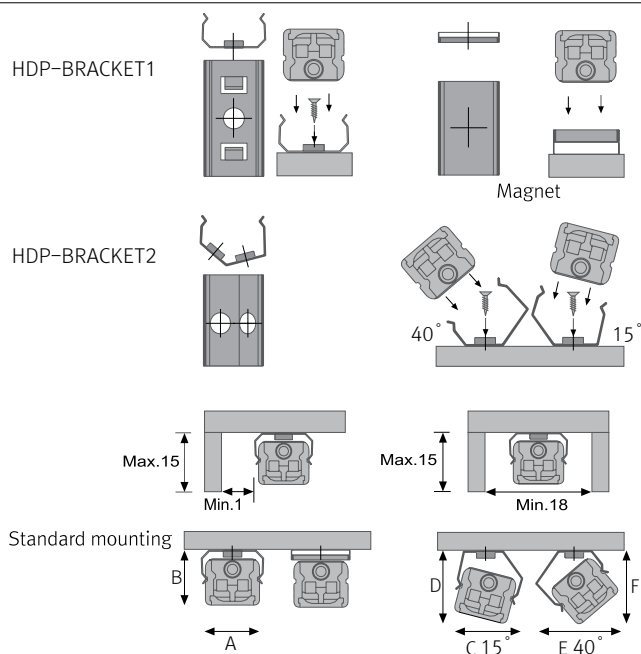


Modle name	A (mm)	B (mm)	C (mm)
FLC15-24V/T	121	45	16
FLC30-24V/T	150	41	31
FLC75-24V/T	180	60	32
FLC200-24V/T	250	65	38

Easy connection



Installation



Max. connection

- 75W in one row (single powerfeed)
- LED Driver

LED Driver Model Name	Max. units for LED Driver			
	24V/15W	24V/30W	24V/75W	24V/200W
HDP3 40K-24V	5	10	25	71
HDP6 40K-24V	2	5	12	34
HDP12 40K-24V	1	2	6	17
HDP18 40K-24V	-	1	4	11
HDP24 40K-24V	-	1	4	8

Accessories



Ⓐ Connecting cables(between FLX Stix HDPro & FLX Stix HDPro)

HDPPTC	HDPPTC1	HDPPTC2	HDPPTC4	HDPPTC6
150mm(6inch)	300mm(1feet)	600mm(2feet)	1200mm(4feet)	1800mm(6feet)



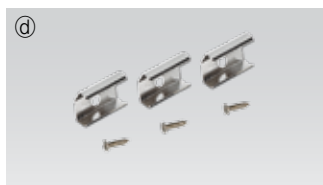
Ⓑ Power cable : HDPPC

Power cable (Between FLX Stix HDPro & 6-way distributor)



Ⓒ Mounting bracket : HDP-BRACKET 1

Included in fixture

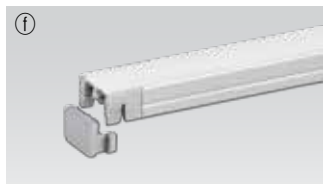


④ Angle bracket (15° & 40°) : HDP-BRACKET 2



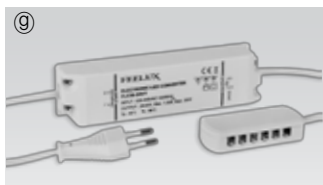
⑤ Sidefeed for seamless extension (3W) : HDP3 40K-24V-S

The dimension is the same as HDP3 40K-24V
Powered only through cable, no power supply on the input connector



⑥ End cap : HDP-CAP

Included in fixture



⑨ LED Driver with 6way distributor, with power cord (1800mm)

Part No	FLC15-24V/T	FLC30-24V/T	FLC75-24V/T
Capacity	15W 24V	30W 24V	75W 24V



⑩ LED Driver : FLC200-24V/T (200W 24V)

LED Driver With 6way distributor



⑪ Dimming Interface (1-10V) : FDC-L10

Max. 100W (100W/CH, 1CH)

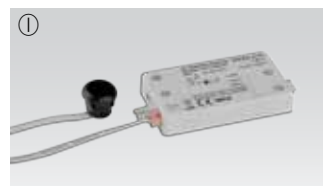


⑫ Dimming Interface(0-10/1-10,DMX512)

FDA-L2M0 : Max. 200W (100W/CH, 2CH)
FDA-L5M : Max. 200W (100W/CH, 5CH)

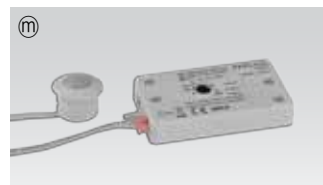


⑬ Inline dimmer : HDPDIM (Max 75W in a row)



⑭ Door and motion detection sensor : FLS-M24V

Voltage : DC 24V



⑮ Human-body detection sensor : FLS-P24V

Voltage : DC 24V