

DecoLamp

T4 Linear Illumination



DecoLamp

DecoLamp offers a miniature lighting system with maximum flexibility. Its compact size fits even the narrowest spaces, while still providing excellent fluorescent lighting as well as a striking appearance.

The combination of miniature T4 lamps with built-in electronic ballasts offers the very latest in lighting technology. Its high light-output and extremely low heat index make the DecoLamp ideal for a display cabinet, cove lighting and indirect lighting.

Product Features

- Extremely low profile measuring 17mm width and 31.5mm height
- Cool operation ideal for heat-sensitive item display
- Rigid aluminum extruded body and snap-in mounting brackets
- Polycarbonate diffuser that gives off a soft glow

Benefits

- Minimum space requirement low energy consumption, high energy efficiency
- Instant-on starting, no flicker, long lamp life : 12,000hrs
- Ballast and lamp shut down if fault present
- Allows easy connection, reduces installation time
- Satisfy world class standard, TUV certified and UL listed

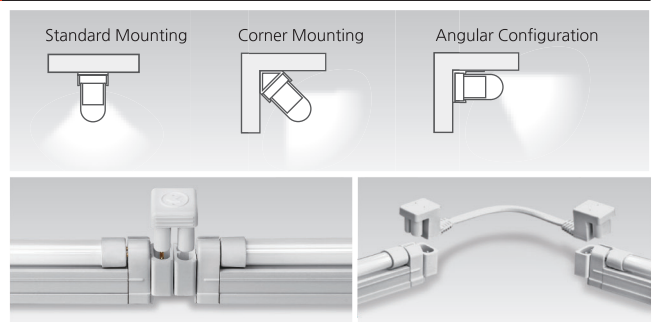
Application

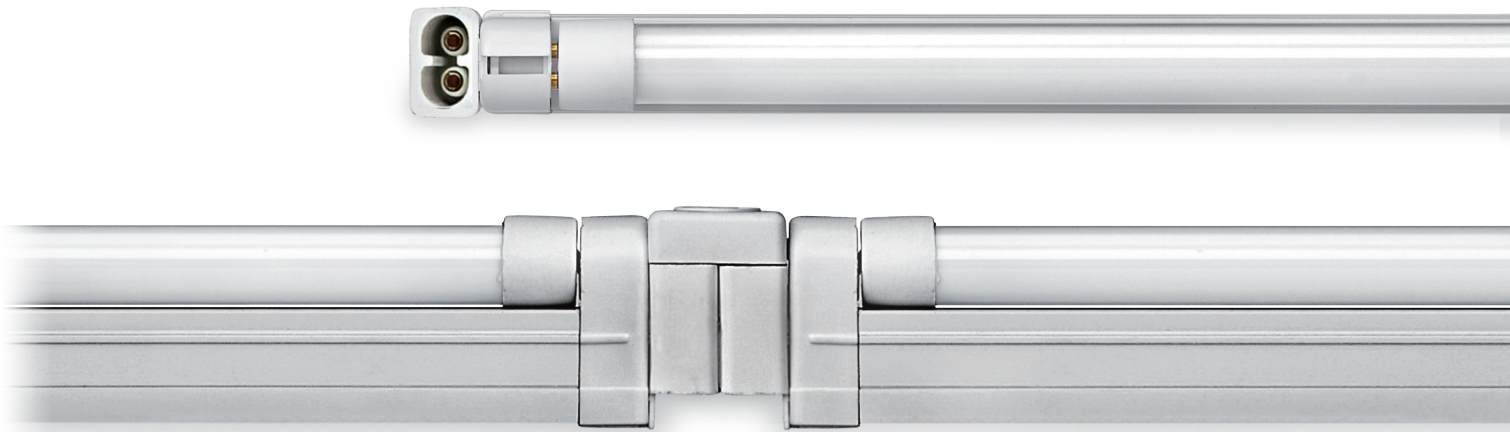
- Remarkably low profile(T4 size 13mm) fits almost everywhere
- Kitchen, Cabinet, Showcase, Furniture

Notice

- Max. connection : 270W
- 7W(38pcs), 10W(27pcs), 18W(15pcs)

Installation





Specification

- Frequency range : 50/60Hz
- Voltage : 220~240V, 110~130V
- Power factor : >97%
- Color rendering : Ra>80
- Tube life: 12,000hr
- Tube diameter: 13mm(T4)
- Class of protection II
- Degree of protection IP20

Accessories

Ⓐ Connecting cables

DLPTC/T	DLPTC1/T	DLPTC2/T	DLPTC4/T	DLPTC6/T
150mm(6inch)	300mm(1feet)	600mm(2feet)	1200mm(4feet)	1800mm(6feet)

Ⓑ Direct connector : DLCPL/T

Ⓒ Power cord

- DLPC230/T
- DLPC230/SM2/T (Straight type)

Ⓓ Diffuser

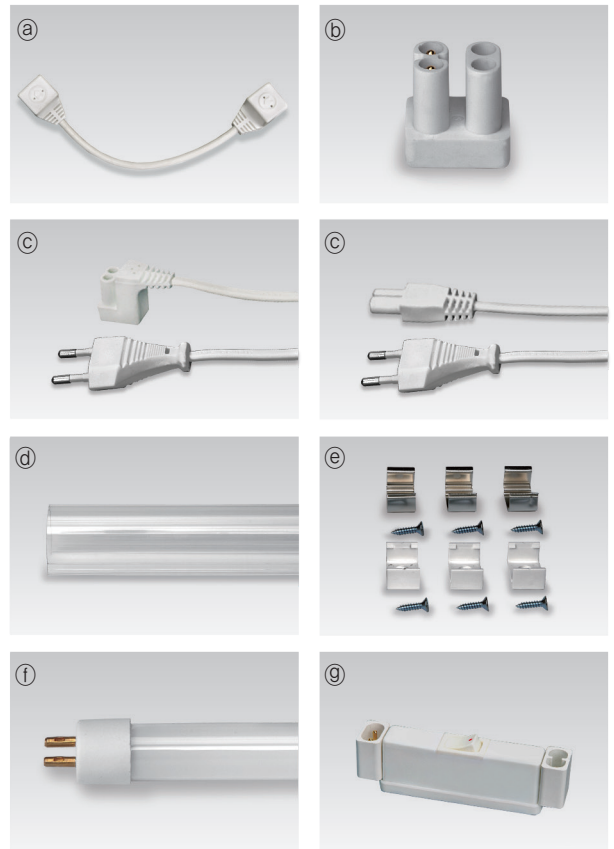
DL7CV	DL10CV	DL18CV
7W	10W	18W

Ⓔ Mounting Bracket

Ⓕ Fluorescent lamps

3000K, 4000K, 5500K, 6500K, 8000K, Red, Green and Blue are available.

Ⓖ On/Off switch : DLSB/T



Model Name	LampPower (W)	lm	Input (mA)	L (mm)	W (mm)	H (mm)	H (mm) with diffuser
DL7A4B23NC/T	7	420	58	262	17	31.5	33
DL10A4B23NC/T	10	700	83	339	17	31.5	33
DL18A4B23NC/T	18	1305	150	517	17	31.5	33

